

STANDARD EXECUTIONS

AISI 316 stainless steel spring.

- **MTS-S-T6S**: body made out of black coated weldable steel. Ground and hardened steel pin. Zinc-plated steel pulling hook, oscillating pin, nuts, lever and safety hook.

- **MTS-S-T6SX**: AISI 304 stainless steel body. AISI 303 stainless steel pin, pulling hook, oscillating pin, nuts, lever and safety hook.

FEATURES AND APPLICATIONS

All articulated joints are lubricated with special grease.

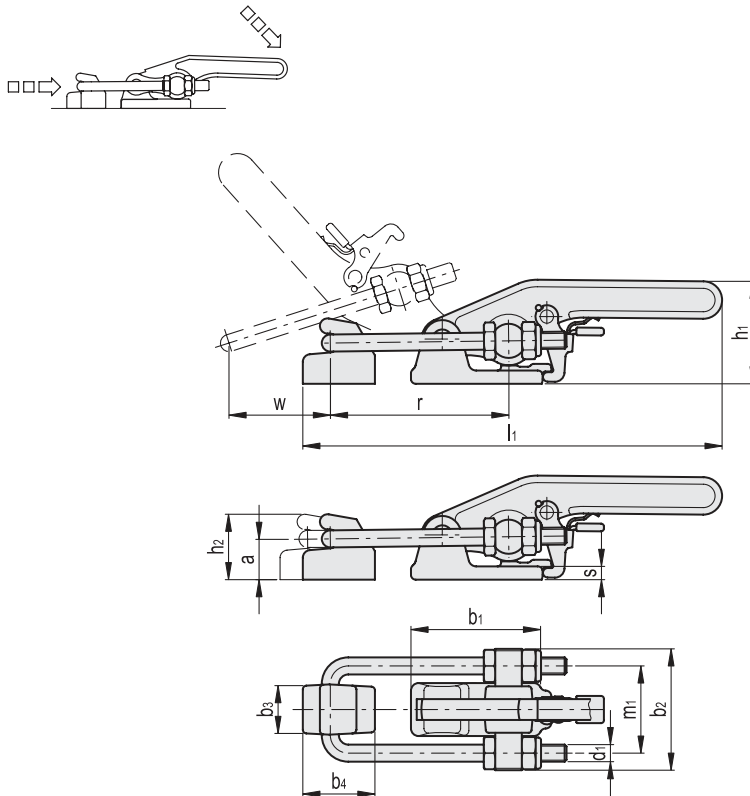
MTS-S clamps ensure tight closing with each type of cover.

Heavy-duty series: high mechanical strength of the materials used.

Suitable for the most critical applications with strong vibration stresses where it is required to exert high forces against accidental opening.

The position of the pulling hook can be adjusted in length according to the specific applications.

The clamp opening is obtained by actuating the button to disengage the safety device, thus it is possible to operate with the control lever.



MTS-S-T6S

METRIC

Code	Description	a	b1	b2	b3	b4	d1	h1	h2	l1	m1	r	s	Stroke w	FH [N]*	△
GG.AL805	MTS-S-1700-T6S	21	68	64	26.5	38	M10	55	34.5	221	46	94+106	7	54+58	17000	919
GG.AL810	MTS-S-4000-T6S	27	85	80	32	50	M12	68	32	277	55	112+124	9	62+65	40000	1738

MTS-S-T6SX

INOX STAINLESS STEEL

METRIC

Code	Description	a	b1	b2	b3	b4	d1	h1	h2	l1	m1	r	s	Stroke w	FH [N]*	△
GG.AS625	MTS-S-1700-T6SX	21	68	64	26.5	38	M10	55	34.5	221	46	94+106	7	54+58	14000	928
GG.AS630	MTS-S-4000-T6SX	27	85	80	32	50	M12	68	32	277	55	112+124	9	62+65	30000	1755

Toggle clamps

* Holding force.