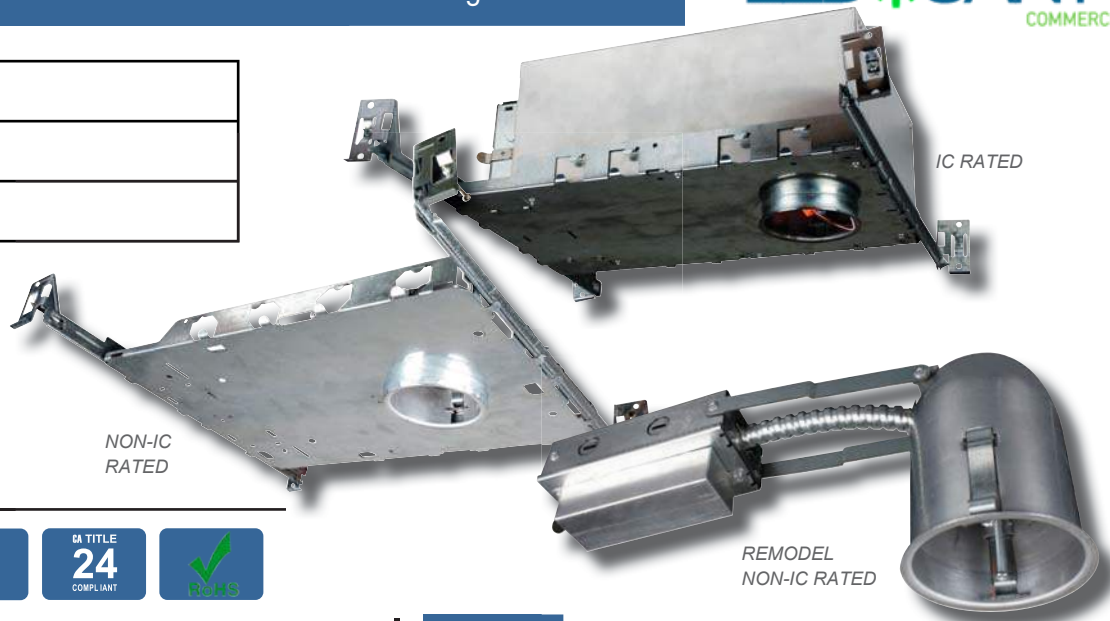


Project:	
Type:	
Catalog #:	



STANDARD



APPLICATIONS

- Energy saving LED can and module for new construction as well as remodel applications.
- 75% energy savings in comparison to incandescent sources.

ILLUMINATION

- Long Life LEDs with up to 50,000 hours at 70% lumen maintenance.
- Uses high power, high quality LEDs.
- Produces 600 lumens output from luminaire with a CCT of 3000K.
- Dimmable with most standard incandescent and low voltage dimmers.

ELECTRICAL

- LED driver with 120V input voltage.
- CRI >90.
- Power consumption: 9 watts.

MOUNTING

- Integral T-bar installation slots on new construction models.
- Two clips provided to secure can to housing on remodel cans.
- Bar hangers on new construction models are adjustable from 13 5/8" to 25" and can be repositioned 90° on plaster frame.
- Pre-installed real nail on new model easily installs in regular and engineered lumber.

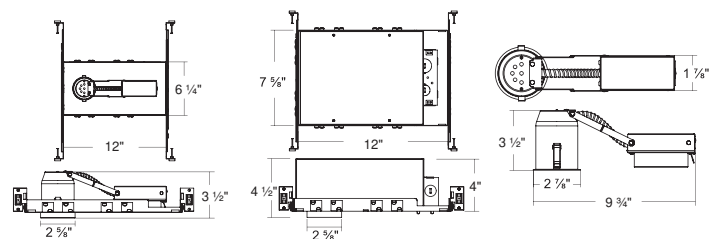
HOUSING

- Galvanized steel construction.
- Selective models for use with insulated and non-insulated ceilings.
- Housing on IC (insulated ceiling) model can be removed from frame to provide access to junction box.

WARRANTY/LISTING

- Tested in accordance with IESNA LM79 & LM80.
- cULus Listed for damp and wet locations (not suitable for coastal/salt water area).
- Energy Star qualified.
- Operating temperatures of -30°C to 40°C.
- Meets State of California Title 24 requirements.
- Five year warranty on all electronics and housing.
- Certified under ASTM-E283 for airtight construction (new construction models only).

DIMENSIONS



ORDERING INFORMATION

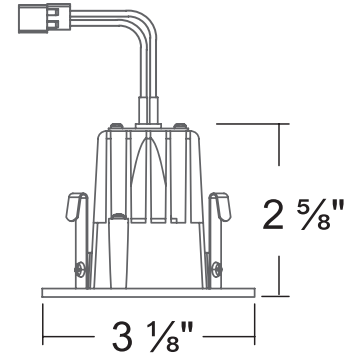
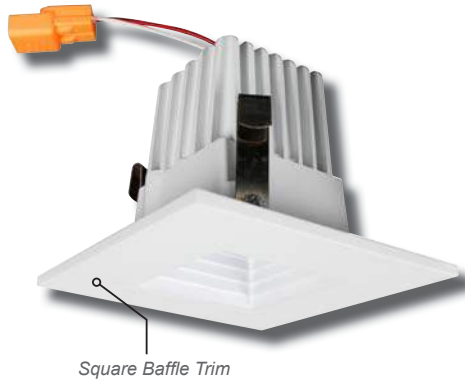
MODEL	DESCRIPTION
CARDL2-HSNG-N	2" Non-IC LED new construction can with driver
CARDL2-HSNG-IC	2" IC AT LED new construction can with driver
CARDL2-HSNG-REM	2" Non-IC LED remodel can with driver

Project:	
Type:	
Catalog #:	

CLRDL2-830-SQT

Trim: Square Baffle

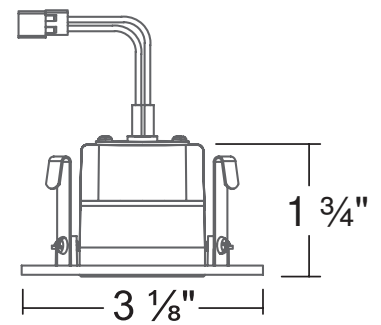
Finish: White



CLRDL2-830-GIM

Trim: Adjustable Square Gimbal

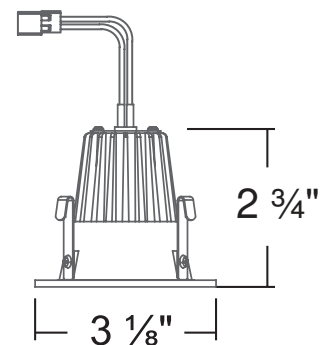
Finish: White



CLRDL2-830-RND

Trim: Baffle

Finish: White



MODEL	DESCRIPTION	INPUT VOLTAGE	CRI	WATTS	LUMENS	LUMENS/WATT	COLOR TEMP.
Q.RDL2-830-RND	2" LED Trim / Baffle	120V @ 50Hz / 60Hz	≥90	9	600	75	3000K
Q.RDL2-830-SQT	2" LED Trim / Square Baffle	120V @ 50Hz / 60Hz	≥90	9	600	75	3000K
Q.RDL2-830-GIM	2" LED Trim / Adjustable Square Baffle	120V @ 50Hz / 60Hz	≥90	9	600	75	3000K