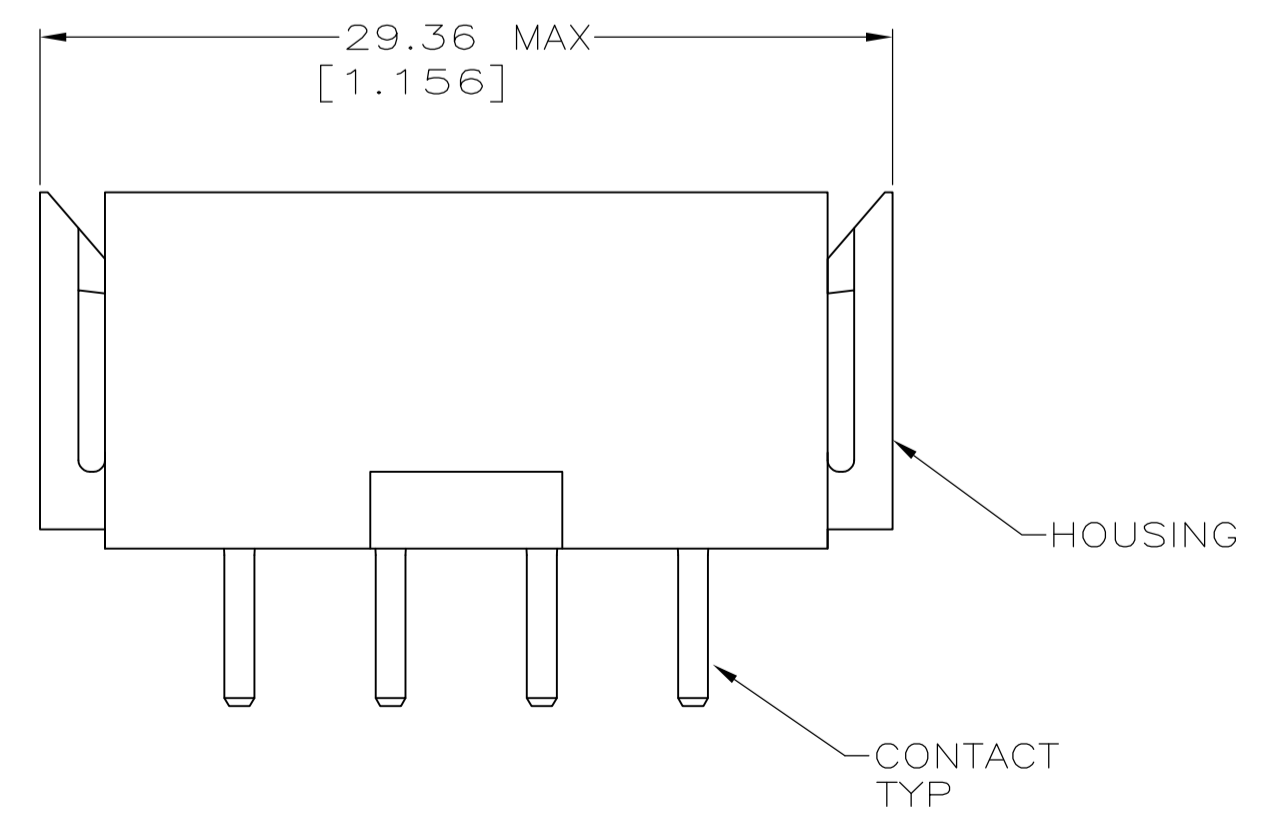


RECOMMENDED PC BOARD LAYOUT



- 1 NYLON, UL 94V-0 RATED, RED.
- 2 BRASS PER ASTM B36.
- 3 3.81um [.000150] MIN TIN OVER 2.54um [.000100] MIN COPPER.
- 4 0.76um [.000030] MIN GOLD FOR A LENGTH OF 5.08 [.200] FROM MATING END, 3.81um [.000150] MIN TIN-LEAD FOR A LENGTH OF 4.83 [.190] MIN FROM OPPOSITE END, BOTH OVER 1.27um [.000050] MIN NICKEL.
- 5 .000150 MIN TIN OVER .000100 MIN CU, OR .000050 MIN NICKEL.
- 6 0.76um [.000030] MIN GOLD FOR A LENGTH OF 5.08 [.200] FROM MATING END, 3.81um [.000150] MIN TIN FOR A LENGTH OF 4.83 [.190] MIN FROM OPPOSITE END, BOTH OVER 1.27um [.000050] MIN NICKEL.

6	NO	1-207121-0
6	YES	207121-9
5	YES	207121-8
4	NO	207121-4
4	YES	207121-3
3	NO	207121-2
3	YES	207121-1
CONTACT FINISH		MOUNTING TABS
		PART NO.

THIS DRAWING IS A CONTROLLED DOCUMENT.

DIMENSIONS: INCHES	TOLERANCES UNLESS OTHERWISE SPECIFIED:	DIN L.SIPE 03/12/92	3-17-92
0 PLC ± -	1 PLC ± -	R.STONE	3-17-92
2 PLC ± -	3 PLC ± 0.13 [.005]	APVD A. TRAVIS	3-17-92
4 PLC ± -	ANGLES ± -	NAME	
MATERIAL HOUSING 1	FINISH CONTACT: SEE TABLE	PRODUCT SPEC 108-10033	APPLICATION SPEC
WEIGHT	SIZE	CAGE CODE	DRAWING NO
	A1	00779	207121
CUSTOMER DRAWING	SCALE 4:1	SHEET 1 OF 1	REV Y2

STE TE Connectivity

PIN HEADER ASSEMBLY, 36 POSITION, METRIMATE