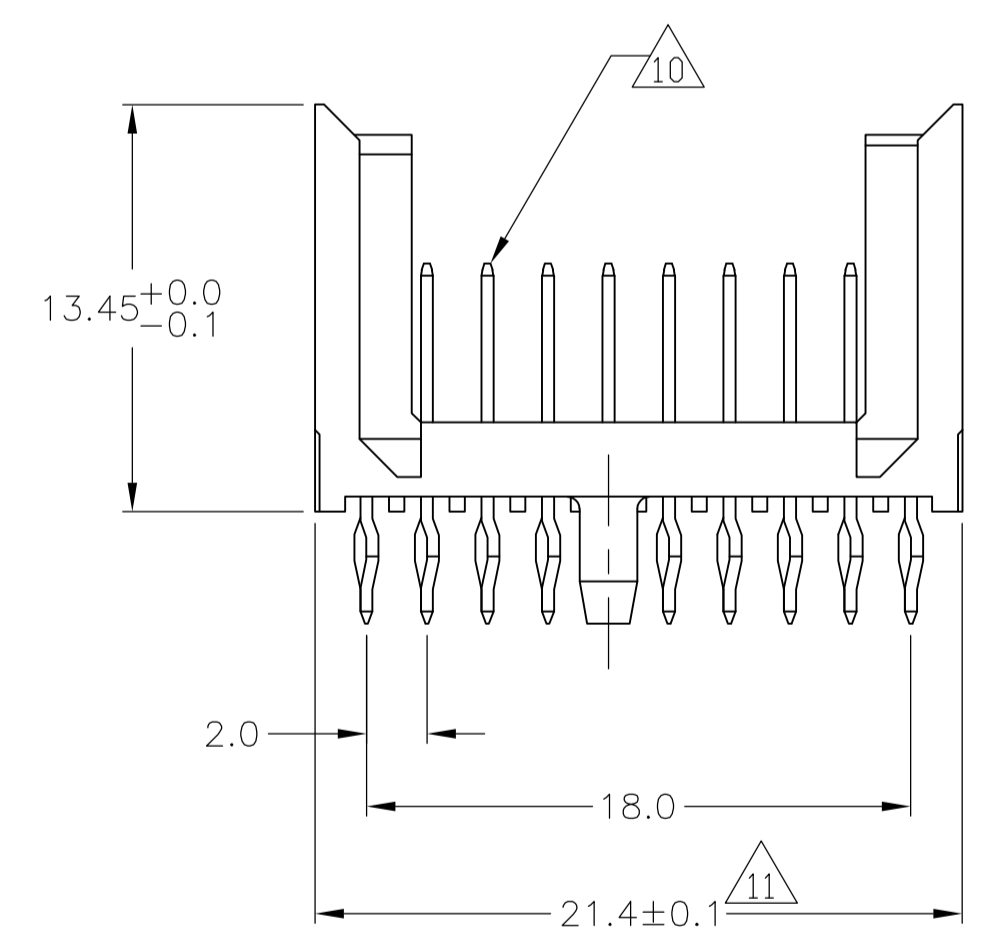
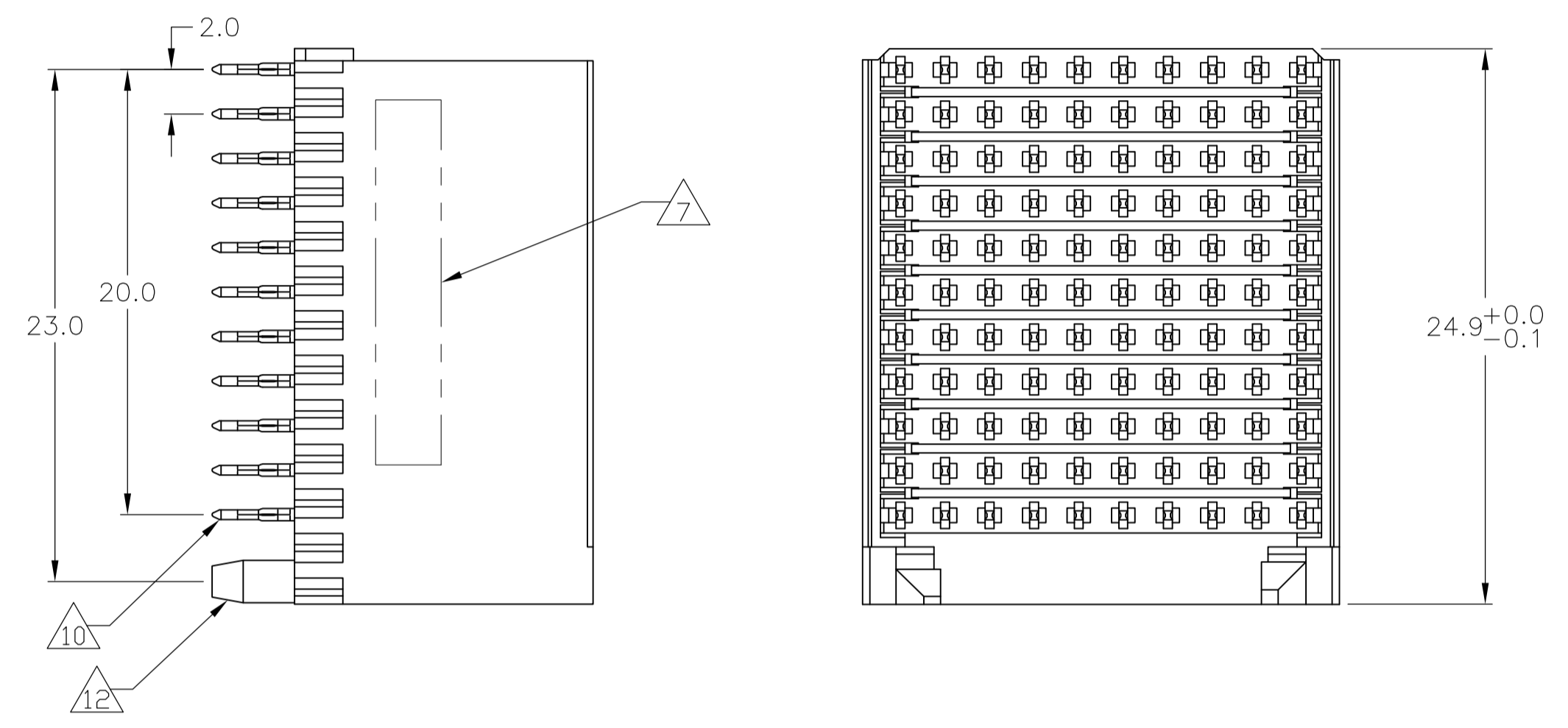
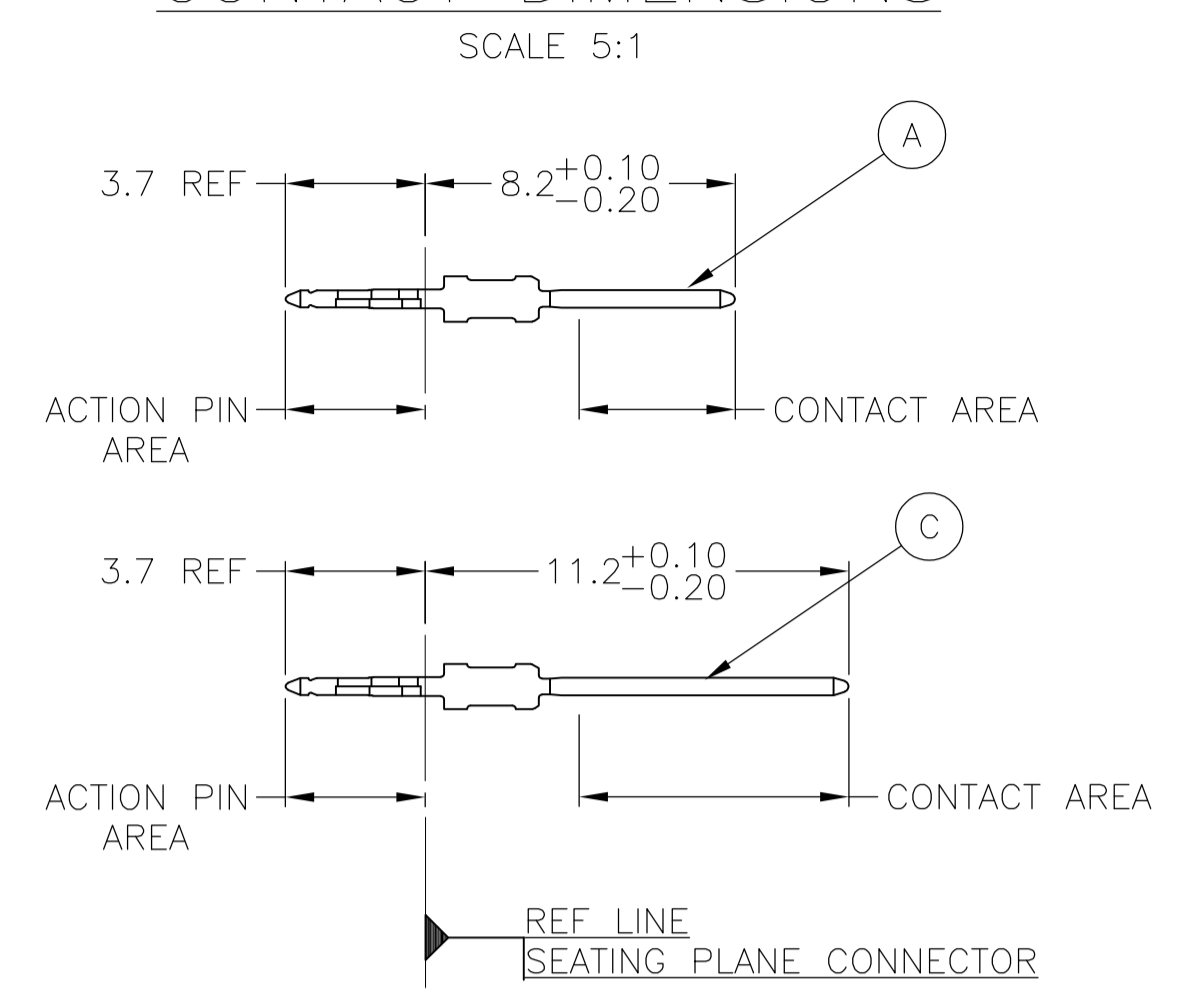


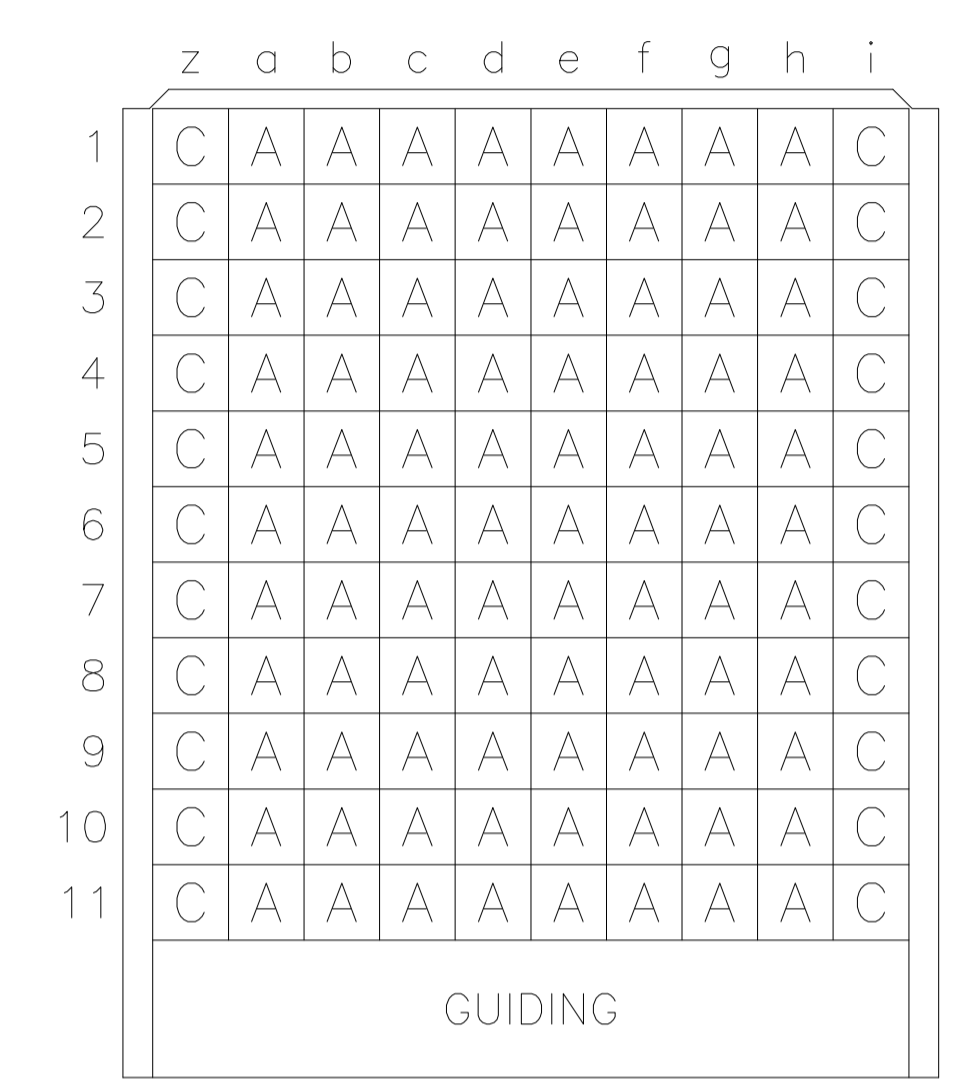
CONNECTOR ASSEMBLY EXAMPLARY LOADED



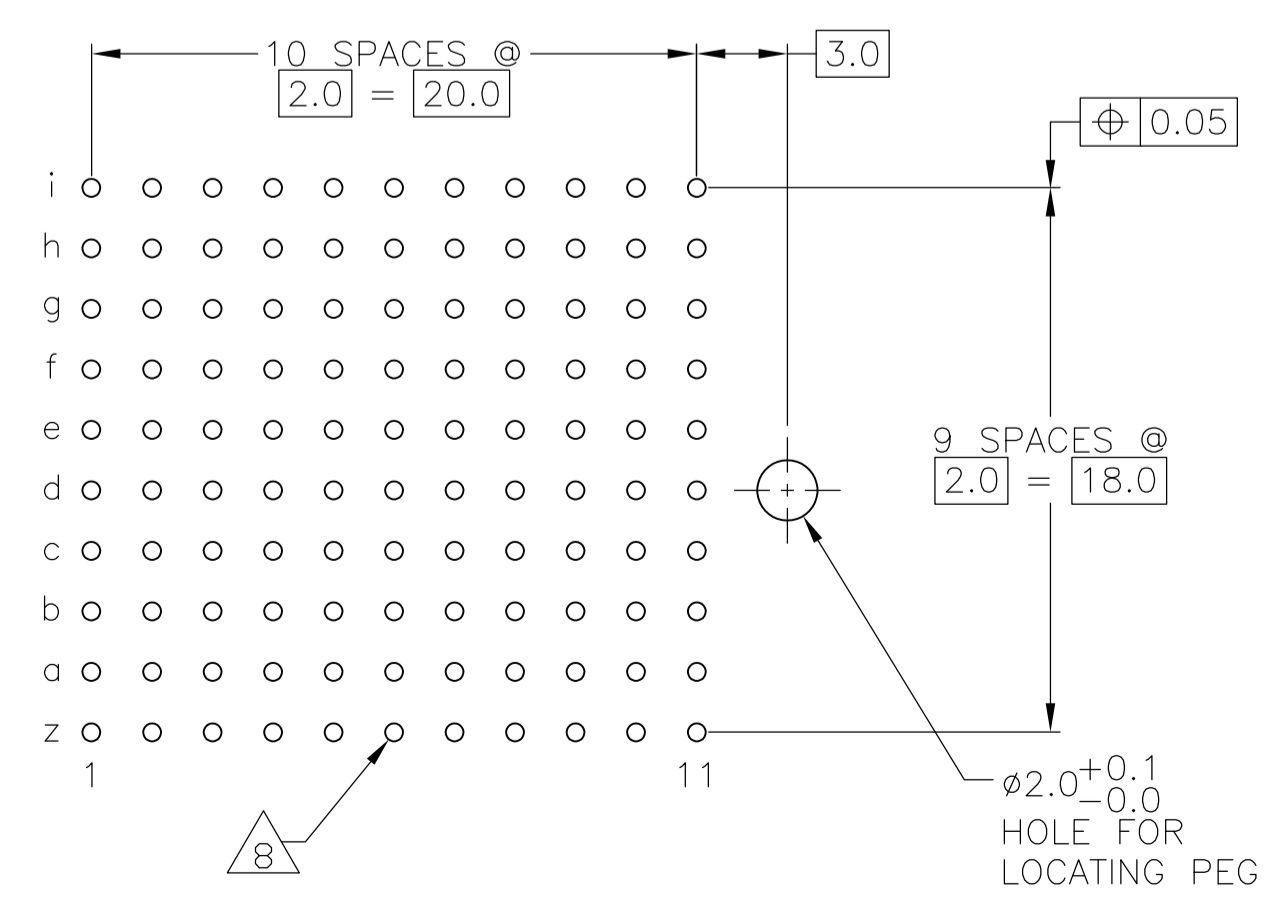
CONTACT DIMENSIONS



CONTACT LAYOUT



RECOMMENDED PCB-HOLE LAYOUT COMPONENT SIDE SHOWN



PLATED THRU HOLES PARAMETERS REFERENCE APPLICATION SPECIFICATION


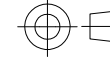
2 3 14	3-646513-0
2 6 13	1-646513-9
2 5 13	646513-9
2 4	646513-4
2 3	646513-1
FINISH	PART NUMBER

THIS DRAWING IS A CONTROLLED DOCUMENT.		DIN S. WAITMAN 14JUL05	Tyco Electronics Corporation Harrisburg, Pa 17105-3608	
DIMENSIONS: mm		CHK: G. SKIPPER 14JUL05	NAME: MALE ASSEMBLY, Z-PACK 2mm HM, TYPE F	
TOLERANCES UNLESS OTHERWISE SPECIFIED:		APVD: G. SKIPPER 14JUL05	PRODUCT SPEC: 108-19082	
0. PLC ± -		APPLICATION SPEC: 114-19029		
1. PLC ± 0.2		SIZE: A1		
2. PLC ± 0.02		CAGE CODE: 00779		
3. PLC ± 0.005		DRAWING NO: 646513		
4. PLC ANGLES ± ± 0.30°		RESTRICTED TO: -		
MATERIAL: 1		WEIGHT: -		
SEE TABLE		CUSTOMER DRAWING		
		SCALE: 4:1 SHEET: 1 OF 2 REV: D1		

THIS DRAWING IS UNPUBLISHED. RELEASED FOR PUBLICATION
 © COPYRIGHT BY TYCO ELECTRONICS CORPORATION. ALL RIGHTS RESERVED.

LOC		DIST		REVISIONS			
IF	LTR	DESCRIPTION	DATE	DWN	APPV		
-	-	SEE SHEET 1	-	-	-	-	-

- 1 MATERIAL:
CONTACT: PHOSPHOR BRONZE.
HOUSING: GLASS-FILLED POLYESTER.
- 2 GENERAL PLATING SPECIFICATION: UNDERPLATING
(ENTIRE CONTACT): 1.27µm MIN NICKEL AND ACTION
PIN: 0.5µm MIN TIN/LEAD.
FOR PLATING OF MATING SURFACES SEE APPLICABLE
SPECIFICATION REFERENCE FOR EACH DASH NUMBER.
- 3 CONFORMS TO ALL TESTING ACCORDING TO IEC 61076-4-101
PERFORMANCE LEVEL 2.
- 4 CONFORMS TO ALL TESTING ACCORDING TO IEC 61076-4-101
PERFORMANCE LEVEL 1.
- 5 CONNECTOR TESTED AND QUALIFIED AGAINST TELCORDIA GR-1217-CORE QUALITY LEVEL 3,
CENTRAL OFFICE APPLICATIONS.
- 6 CONNECTOR TESTED AND QUALIFIED AGAINST TELCORDIA GR-1217-CORE QUALITY LEVEL 3,
UNCONTROLLED ENVIROMENT APPLICATIONS.
- 7 CONNECTOR MARKED WITH PART NUMBER AND DATE CODE.
ADDITIONAL CHARACTERS OR MARKINGS, AS WELL AS THE LOCATION OF THE MARKINGS,
MAY BE ADDED FOR TRACEABILITY BASED UPON MANUFACTURERS DISCRETION.
- 8 PLATED-THROUGH HOLES AT 2x2mm SQUARE GRID
PATTERN DEFINED BY CONTACT LAYOUT.
- 9 FOR ACTUAL PIN LOADING SEE "CONTACT LAYOUT".
- 10 FOR ACTUAL PIN DIMENSIONS SEE "CONTACT DIMENSIONS".
- 11 TO BE MEASURED AT BOTTOM OF SHROUD.
- 12 LOCATION PEG.
- 13 CONNECTOR LUBRICATED WITH BELCORE APPROVED LUBRICANT,
TECHNICAL REFERENCE: TR-NWT-001217 ISSUE 1, SEP 1992.
- 14 0.76µm MIN GOLD PALTING MATING SURFACES.

THIS DRAWING IS A CONTROLLED DOCUMENT.		DWN S. WAITMAN CHK G. SKIPPER APPV G. SKIPPER	14 JUL 05	 Tyco Electronics Corporation Harrisburg, Pa 17105-3608	
DIMENSIONS: mm	TOLERANCES UNLESS OTHERWISE SPECIFIED:	PRODUCT SPEC	NAME	MALE ASSEMBLY, Z-PACK 2mm HM, TYPE F	
	0. PLC ± - 1. PLC ± 0.2 2. PLC ± 0.02 3. PLC ± 0.005 4. PLC ± - ANGLES ± 0°30'	108-19082	SIZE	A1	
MATERIAL SEE SHEET 1	FINISH SEE SHEET 1	APPLICATION SPEC	114-19029	CAGE CODE	00779
CUSTOMER DRAWING		RESTRICTED TO	SCALE	4:1	SHEET 2 OF 2
		WEIGHT	-	DRAWING NO	646513
		REV	D1		