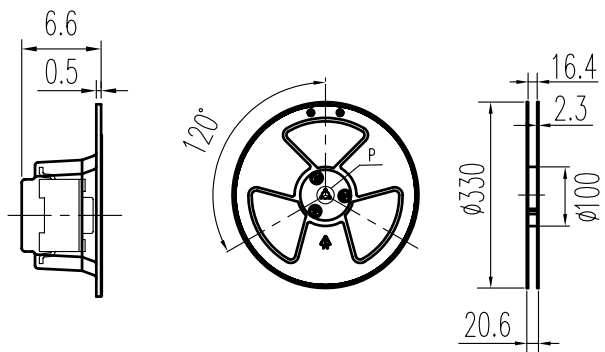
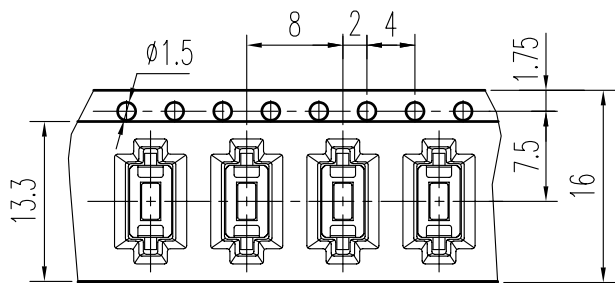
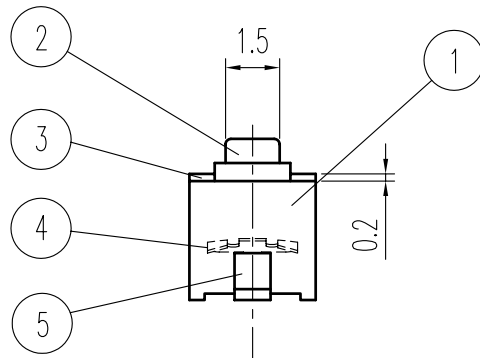
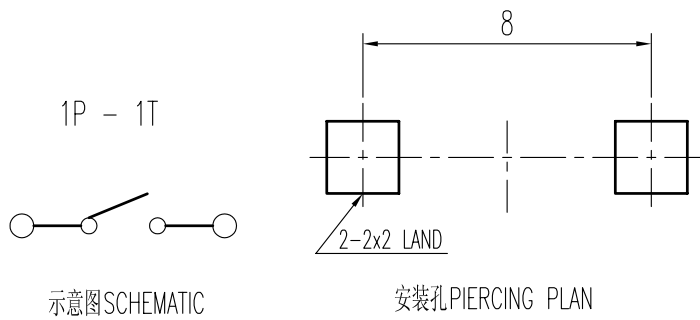


H		FORCE (gf)		KNOB COLOR
A	4.3	1	180 ± 50	NATURAL(NK)
B	5	3	250 ± 50	BLACK(BK)



TOTAL 1250PCS PER REEL.



规格 Specifications

额定负荷 Ratings	DC 12_V 50_m A
初期接触电阻 Initial Contact Resistance	100_mΩMax.
绝缘电阻 Insulation Resistance	DC100_V.60_Sec.100_MΩMin.
抗电强度 Dielectric Voltage	AC 250_V(50~60HZ) 60_Sec.

操作力见上表	
负荷寿命 Operating Life With Load	30,000 次 Cycles

5	端子 TERMINAL	C2680R	2	Ag PLATED				
4	弹片 SPRING PLATE	SUS	1	Ag CLAD				
3	盖片 COVER	SUS	1	NATURAL				
2	胶柄 KNOB	PA	1	见上表				
1	胶壳 HOUSING	PA	1	BLACK C	标号 REV	内容 DESCRIPTION	签名 SIGN.	日期 DATE
序NO.	零件 PART	材料 MATERIAL	数量 QTY	备注 REMARKS	DWG NO. ITEM2773			

TOLERANCES UNLESS OTHERWISE SPEC.		TITLE	TACT SWITCH		ITEM NO	RS-032G05__-SM RT		
UNDER 1	± 0.10	DRAWN	刘红梅	2006-10-27	VERSION	A01	PAGE 1	OF 1
1 - 10	± 0.30	REVIEWED	张念明	2006-10-27	SCALE		UNIT	mm
OVER 10	± 0.50	APPROVED	刘瑞富	2006-10-30	PROJECTION			

COMAX ELECTRONICS (HUIZHOU) CO.,LTD.