

Bus system flat-type plug - SACC-DSIV-MSD-4CON-L90 SCO - 1436592

Please be informed that the data shown in this PDF Document is generated from our Online Catalog. Please find the complete data in the user's documentation. Our General Terms of Use for Downloads are valid (<http://download.phoenixcontact.com>)




Bus system flush-type connector, connector, ETHERNET, 4-pos., M12 SPEEDCON, shielded, D-coded, rear/screw mounting with M12 thread, with polarity protection, with angled solder connection



Ethernet



Key commercial data

Packing unit	1 PCE
Catalog page	Page 30 (PC-2009)
GTIN	 4 046356 438667
Custom tariff number	85366990
Country of origin	GERMANY

Technical data

General data

Note	This product corresponds to the PROFINET Cabling and Interconnection Technology Guideline for PROFINET regulations, version 2.00, order no: 2.252, Chapter 8.2 Connectors for Outside Environment (Balanced cabling)
Rated current at 40°C	4 A
Rated voltage	30 V
Number of positions	4
Volume resistance	≤ 3 mΩ
Insulation resistance	≥ 100 MΩ
Ambient temperature (operation)	-25 °C ... 85 °C (Plug / socket)

General characteristics

Coding	D - data
Surge voltage category	II

Bus system flat-type plug - SACC-DSIV-MSD-4CON-L90 SCO - 1436592

Technical data

General characteristics

Pollution degree	3
Degree of protection	IP67
Contact material	CuZn
Contact surface material	Au
Contact carrier material	PA 66
Material, knurls	Zinc die-cast, nickel-plated
Sealing material	NBR
Mounting type	Rear mounting M12 x 1 With flat nut
Connection method	Solder pins
Status display	No

Conductor data

Note	This product corresponds to the PROFINET Cabling and Interconnection Technology Guideline for PROFINET regulations, version 2.00, order no: 2.252, Chapter 8.2 Connectors for Outside Environment (Balanced cabling)
------	--

Classifications

ETIM

ETIM 3.0	EC001855
ETIM 4.0	EC002061
ETIM 5.0	EC002061

UNSPSC

UNSPSC 11	31251501
UNSPSC 12.01	31251501
UNSPSC 13.2	31251501
UNSPSC 6.01	31251501
UNSPSC 7.0901	31251501

eCl@ss

eCl@ss 4.0	27250313
eCl@ss 4.1	27250313
eCl@ss 5.0	27143423
eCl@ss 5.1	27143423
eCl@ss 6.0	27143423
eCl@ss 7.0	27449001

Bus system flat-type plug - SACC-DSIV-MSD-4CON-L90 SCO - 1436592

Approvals

Approvals

Approvals

UL Recognized

Ex Approvals

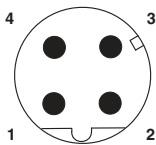
Approvals submitted

Approval details

UL Recognized	
mm ² /AWG/kcmil	26-2
Nominal current I _N	4 A
Nominal voltage U _N	250 V

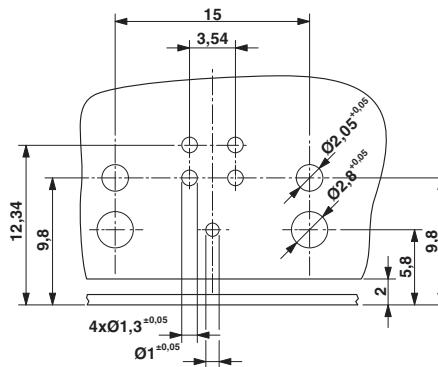
Drawings

Schematic diagram



Pin assignment M12 male connector, 4-pos., D-coded, male side

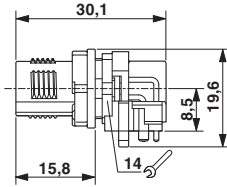
Drilling diagram



Drilling diagram

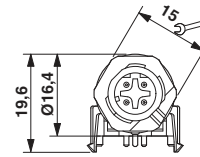
Bus system flat-type plug - SACC-DSIV-MSD-4CON-L90 SCO - 1436592

Dimensioned drawing



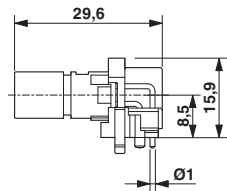
M12 flush-type connector, connector, side view

Dimensioned drawing



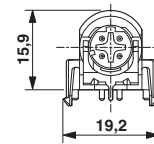
M12 flush-type connector, connector, front view

Dimensioned drawing



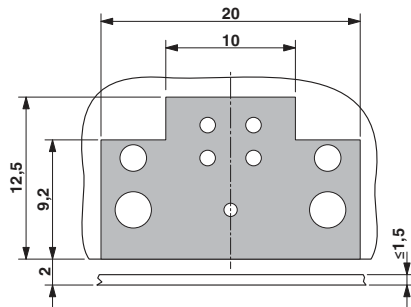
M12 flush-type connector, plug, contact carrier, side view

Dimensioned drawing



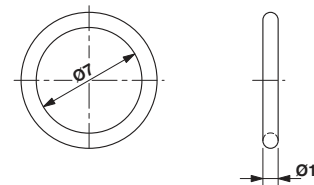
M12 flush-type connector, plug, contact carrier, front view

Dimensioned drawing



Locked area on the PCB

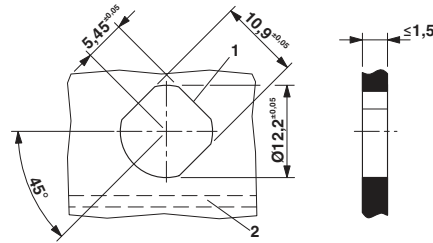
Dimensioned drawing



Optionally with O-ring (green) for tight seal when plugged in.
 - the axial mating force of 80 N per connector may not be exceeded when using with assembled O-ring!
 - Avoid radial forces!

Bus system flat-type plug - SACC-DSIV-MSD-4CON-L90 SCO - 1436592

Dimensioned drawing



Panel cutout, view from front in case of horizontal PCB (2). The 3rd flat area is optional (1).

© Phoenix Contact 2013 - all rights reserved
<http://www.phoenixcontact.com>