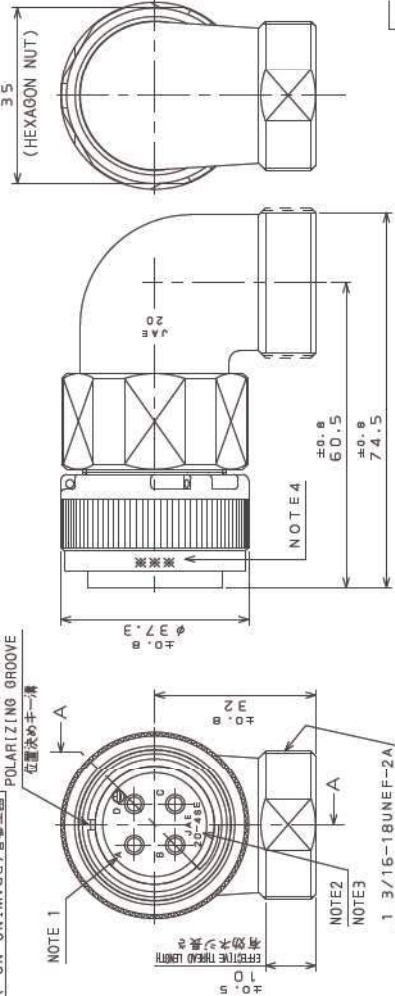
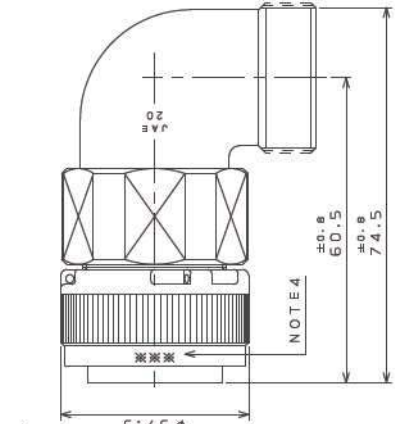


2692111RS

(TOP VIEW) 上面図



±0.5
3.5
(HEXAGON NUT)



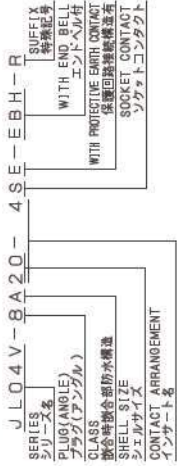
±0.5
60.5
±0.8
74.5

版数 REV.	年月日 DATE	CN NO.	変更内容 DESCRIPTION	製図 DR.	担当 CHK.	発開 APPD.	承認 APPD.

2012/04/26 WISDOM承認

DESIGNATION
命名法

特別管理品目
SPECIAL CONTROL ITEM
TUV



SPECIFICATION

NUMBER OF CONTACT : 4x12
 RATED VOLTAGE : 500VAC (POLLUTION DEGREE:2 / OVER VOLTAGE CATEGORY:II)
 RATED CURRENT : 250VAC (POLLUTION DEGREE:3 / OVER VOLTAGE CATEGORY:III)
 DIELECTRIC WITHSTANDING VOLTAGE : 2000VAC(1 MINUTE)
 INSULATION RESISTANCE : 5000MΩ MIN. (AT 500VDC)
 APPLICABLE WIRE : 3.5mm² MAX.

仕様

コンタクト: #12コンタクト 4本
 定格電圧: 500VAC(汚染度:2/過電圧範疇:II)
 定格電流: 250VAC(汚染度:3/過電圧範疇:III)
 耐電圧: 2000VAC(1分間)
 絶縁抵抗: 5000MΩ以上(500VDCにて)
 適用電線: 3.5mm²以下

NO.	DESCRIPTION	QTY.	MATERIAL	FINISH	COLOR/BLACK SYSTEM INTERFERENCE COLOR
1 4	RETAINING RING	1	COPPER ALLOY		COLOR:BLACK
1 3	ANGLE END BELL	1	ALUMINUM ALLOY		COLOR:BLACK
1 2	ASSEMBLY NUT	1	ALUMINUM ALLOY		COLOR:BLACK
1 1	RETAINING RING	1	COPPER ALLOY		COLOR:BLACK
1 0	“O” RING	1	SYNTHETIC RUBBER		COLOR:BLACK
9	REAR INSULATOR	1	SYNTHETIC RESIN		COLOR:BLACK
8	SET SCREW	1	STEEL		COLOR:BLACK
7	SCREW	1	COPPER ALLOY		COLOR:BLACK
6	FRONT INSULATOR	1	SYNTHETIC RESIN		COLOR:BLACK
5	GASKET	1	SYNTHETIC RUBBER		COLOR:BLACK
4	COUPLING NUT	1	ALUMINUM ALLOY		COLOR:BLACK
3	BARREL	1	ALUMINUM ALLOY		COLOR:BLACK
2	CONTACT(EARTH)	1	COPPER ALLOY		COLOR:BLACK
1	CONTACT(LINE)	3	COPPER ALLOY		COLOR:BLACK

NOTE1. CONTACT POSITION NUMBER IS MARKED IN THE AREA SHOWN. EARTH MARK(⊕) IS MARKED NEAR BY CONTACT No. "D".
 2. COMPANY LOGO "JAE" APPEARS IN THE AREA SHOWN.
 3. CONTACT ARRANGEMENT IS MARKED IN THE AREA SHOWN. 【20-4SE】
 4. PRODUCTION LOT NUMBER ARE MARKED AS INDICATED. ※※※ MANUFACTURER MONTH(JAN~SEP, OCT., NOV., DEC.) ※※※ MANUFACTURER YEAR('12, '13, ...)