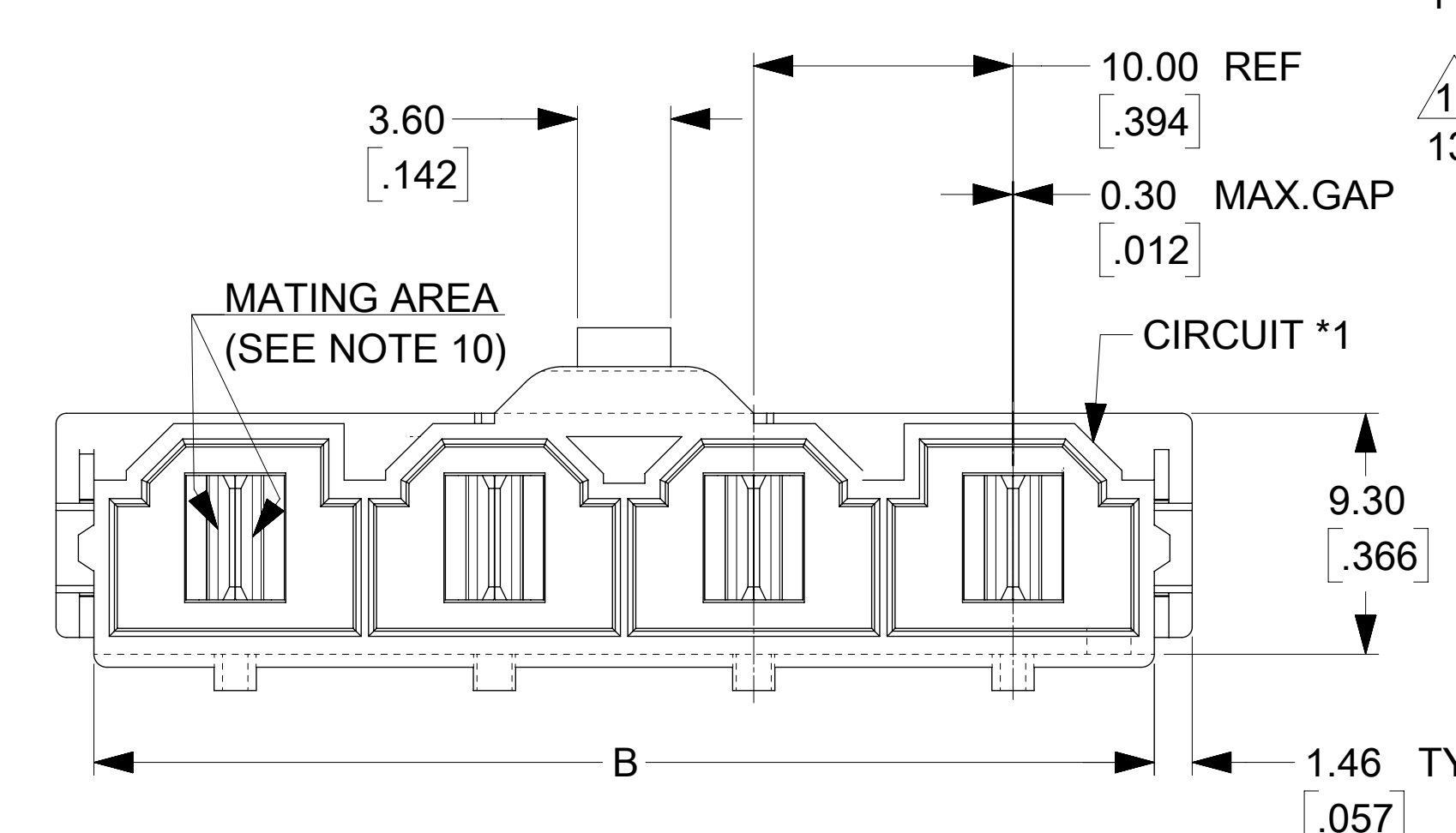
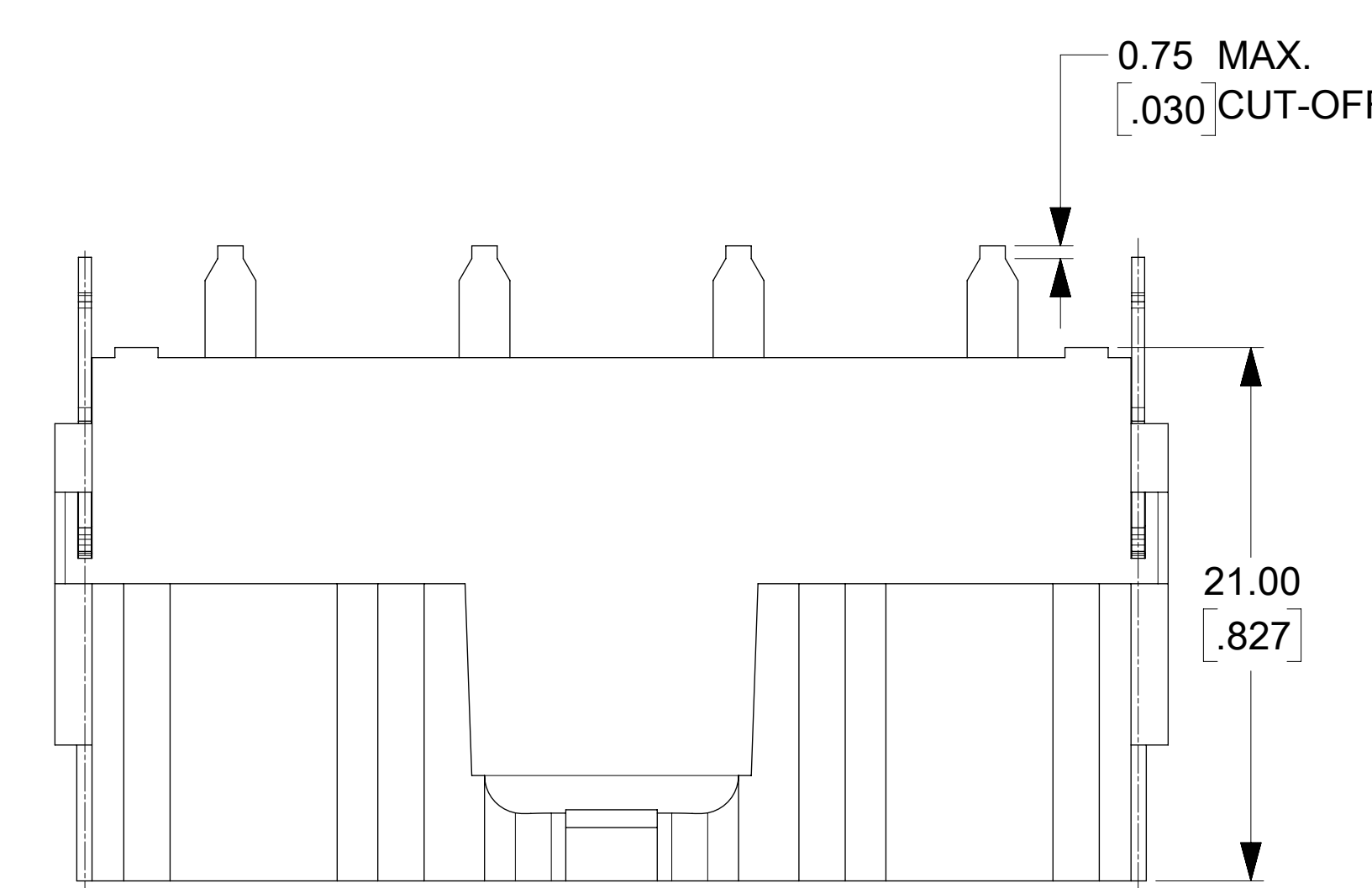
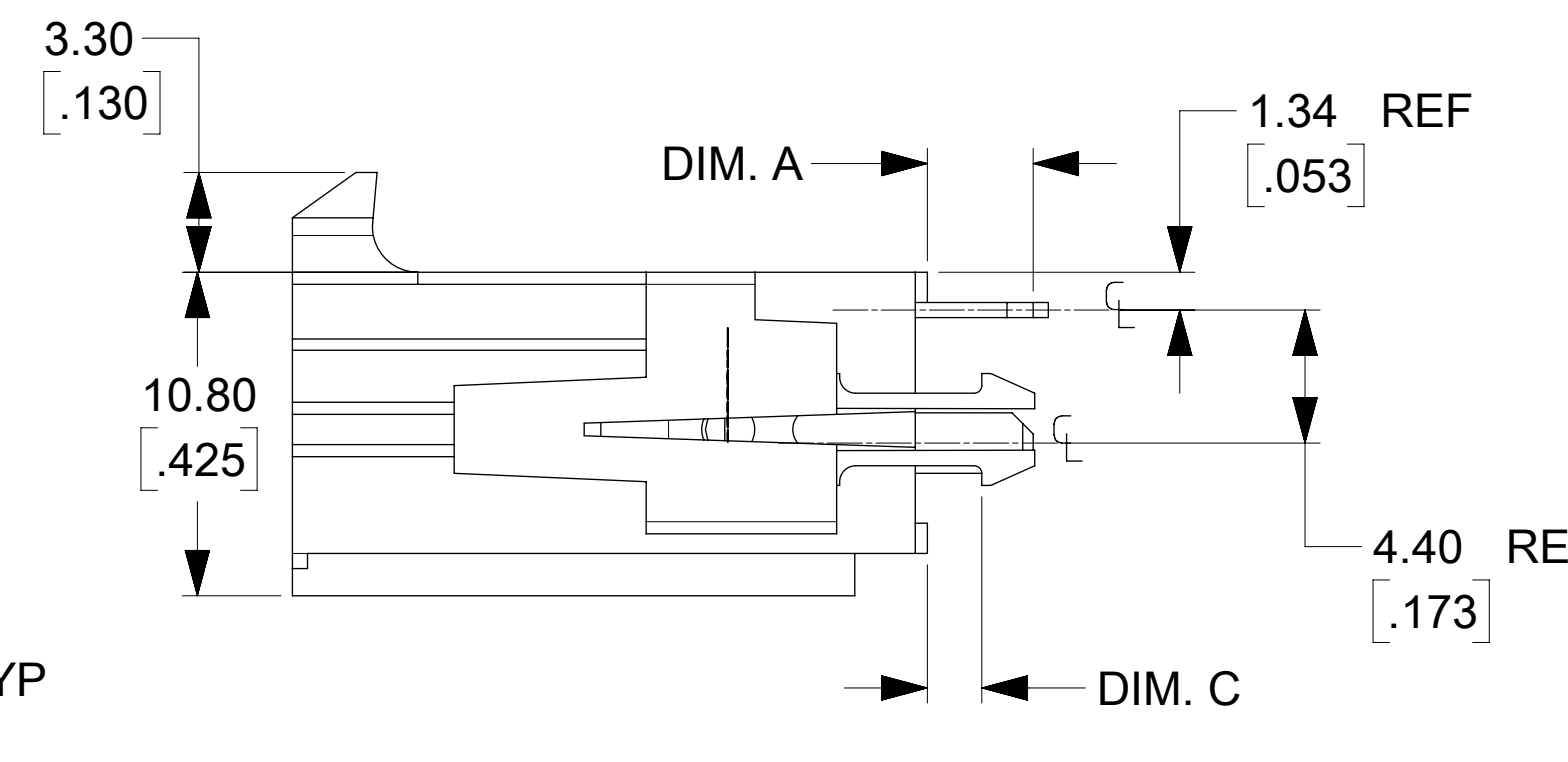


ITEM NUMBER	CKT. SIZE	DIM. A	DIM. B	DIM. C	TERMINAL PLATING	CLIP PLATING	STATUS
428192213	2	.138/[3.50]	.823/[20.90]	.071/[1.80]	SELECT GOLD IN CONTACT AREA (SEE LEGEND)	NONE	ACTIVE
428192223	2	.201/[5.10]	.823/[20.90]	.102/[2.60]			
428192233	2	.201/[5.10]	.823/[20.90]	.134/[3.40]			
428192243	2	.327/[8.30]	.823/[20.90]	.259/[6.58]			
428193213	3	.138/[3.50]	1.216/[30.90]	.071/[1.80]			
428193223	3	.201/[5.10]	1.216/[30.90]	.102/[2.60]			
428193233	3	.201/[5.10]	1.216/[30.90]	.134/[3.40]			
428193243	3	.327/[8.30]	1.216/[30.90]	.259/[6.58]			
428194213	4	.138/[3.50]	1.610/[40.90]	.071/[1.80]			
428194223	4	.201/[5.10]	1.610/[40.90]	.102/[2.60]			
428194233	4	.201/[5.10]	1.610/[40.90]	.134/[3.40]			
428194243	4	.327/[8.30]	1.610/[40.90]	.259/[6.58]			
428195213	5	.138/[3.50]	2.004/[50.90]	.071/[1.80]	SELECT MATTE TIN ON SOLDER TAILS	NONE	ACTIVE
428195223	5	.201/[5.10]	2.004/[50.90]	.102/[2.60]			
428195233	5	.201/[5.10]	2.004/[50.90]	.134/[3.40]			
428195243	5	.327/[8.30]	2.004/[50.90]	.259/[6.58]			
428196213	6	.138/[3.50]	2.398/[60.90]	.071/[1.80]			
428196223	6	.201/[5.10]	2.398/[60.90]	.102/[2.60]			
428196233	6	.201/[5.10]	2.398/[60.90]	.134/[3.40]			
428196243	6	.327/[8.30]	2.398/[60.90]	.259/[6.58]			
428192214	2	.138/[3.50]	.823/[20.90]	.071/[1.80]	SELECT SILVER IN CONTACT AREA (SEE LEGEND)	NONE	ACTIVE
428192224	2	.201/[5.10]	.823/[20.90]	.102/[2.60]			
428192234	2	.201/[5.10]	.823/[20.90]	.134/[3.40]			
428192244	2	.327/[8.30]	.823/[20.90]	.259/[6.58]			
428193214	3	.138/[3.50]	1.216/[30.90]	.071/[1.80]			
428193224	3	.201/[5.10]	1.216/[30.90]	.102/[2.60]			
428193234	3	.201/[5.10]	1.216/[30.90]	.134/[3.40]			
428193244	3	.327/[8.30]	1.216/[30.90]	.259/[6.58]			
428194214	4	.138/[3.50]	1.610/[40.90]	.071/[1.80]			
428194224	4	.201/[5.10]	1.610/[40.90]	.102/[2.60]			
428194234	4	.201/[5.10]	1.610/[40.90]	.134/[3.40]			
428194244	4	.327/[8.30]	1.610/[40.90]	.259/[6.58]			
428195214	5	.138/[3.50]	2.004/[50.90]	.071/[1.80]	SELECT MATTE TIN ON SOLDER TAILS	NONE	ACTIVE
428195224	5	.201/[5.10]	2.004/[50.90]	.102/[2.60]			
428195234	5	.201/[5.10]	2.004/[50.90]	.134/[3.40]			
428195244	5	.327/[8.30]	2.004/[50.90]	.259/[6.58]			
428196214	6	.138/[3.50]	2.398/[60.90]	.071/[1.80]			
428196224	6	.201/[5.10]	2.398/[60.90]	.102/[2.60]			
428196234	6	.201/[5.10]	2.398/[60.90]	.134/[3.40]			
428196244	6	.327/[8.30]	2.398/[60.90]	.259/[6.58]			



- NOTES:
- MATERIAL:
HOUSING MATERIAL: 30%GLASS-FILLED NYLON4/6, U.L.94V-0, COLOR: BLACK.
TERMINAL MATERIAL: ALLOY 151.
 - FINISH: 2 = .000100/(.00254) MIN. *TIN OVER .000050/(.00127) MIN. NICKEL.
3 = .000030/(.00076) MIN. SELECT GOLD IN CONTACT AREA. .000100/(.00254) MIN. SELECT *TIN ON SOLDER TAILS OVER .000050/(.00127) MN.NICKEL.
4 = .000100/(.00254) MIN. SELECT SILVER IN CONTACT AREA .000100/(.00254) MIN. SELECT TIN ON SOLDER TAILS OVER .000050/(.00127) MIN. NICKEL.
* THE PRIMARY SHIPPING CARTON WILL BE LABELED "COMPLAINT TO RoHS DIRECTIVE 2002/95/EC AND ELV ANNEX II OF DIRECTIVE 2000/53/EC". CARTONS WITHOUT THIS LABEL MAY CONTAIN PRODUCT WITH TIN-LEAD.
 - PRODUCT SPECIFICATION: PS-42815-001
 - PACKAGING INFORMATION: PK-42819-2375
 - PART MATES WITH MOLEX RECEPTACLE #42816-***2 WITH T.P.A.
 - PART IS DESIGNED IN METRIC.
 - AN "X" IN FRONT OF THE ITEM NUMBER INDICATES THE PART IS NOT TOOLED.
 - THIS PART MEETS U.L.1950 REQUIREMENTS FOR CREEPAGE AND CLEARANCE AT 600 VAC AND 840 VDC.
 - PARTS ARE NOT TO BE MATED OR UNMATED WHILE CIRCUITS ARE LIVE.
 - WHEN USING OVERALL TIN PLATED TERMINALS: FOR APPLICATIONS INVOLVING VIBRATION AND/OR THERMAL CYCLING, MOLEX STRONGLY RECOMMENDS THE USE OF NYE LUBRICANT (NYOGEL 7600) ON THE MATING SURFACES OF THE TERMINAL.
 - PARTS CONFORMS TO CLASS 'B' REQUIREMENTS OF COSMETIC SPECIFICATION PS-45499-002
 - BOARD CLIP HOLE MAY OR MAY NOT BE PLATED. REFER TO CHART FOR PLATED / UNPLATED CLIPS.
 - REFER AS-42815-001 FOR TIN PLATED TERMINALS RECOMMENDED LUBRICATION PROCEDURE.



LEGEND:

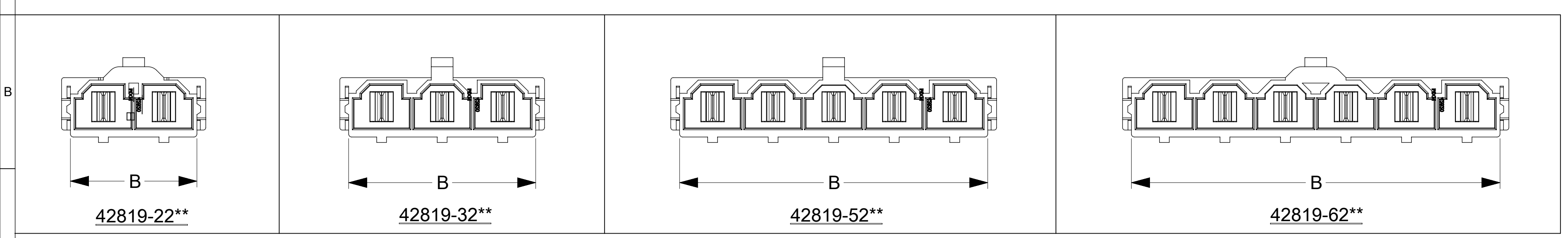
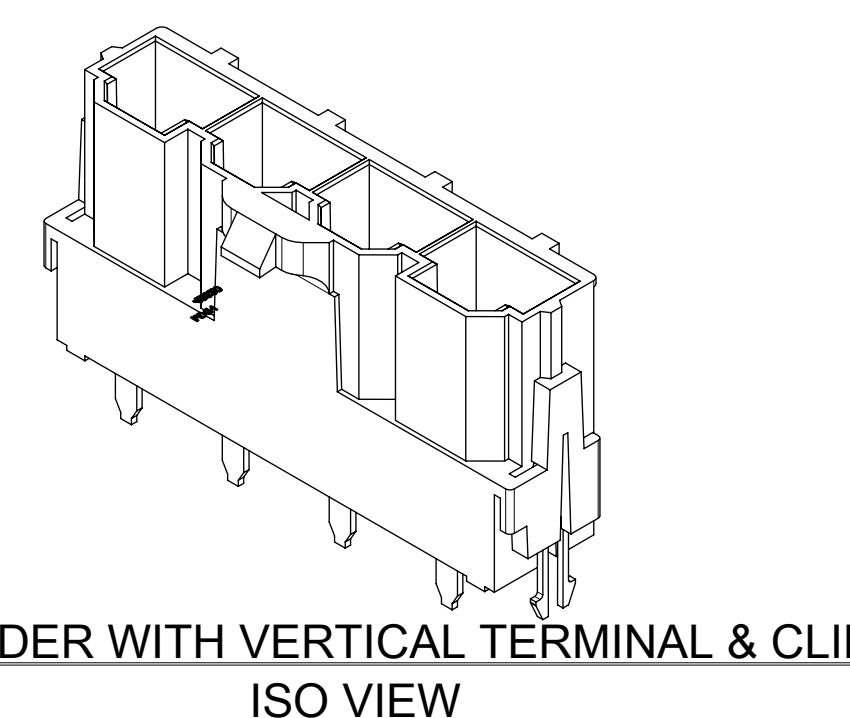
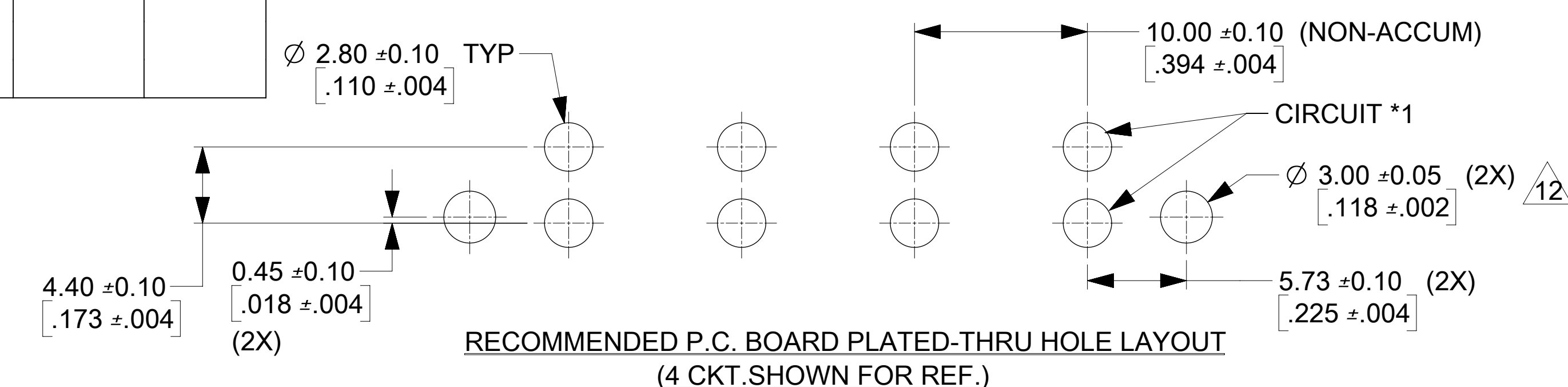
A-42819 - ***

CIRCUIT SIZE (2-6)

MOUNTING OPTION
1 = FLANGES (SEE DWG. SDA-42819-1**
2 = RETENTION CLIP

P.C.BOARD THICKNESS
1 = .062/(1.57) NOMINAL
2 = .093/(2.36) NOMINAL
3 = .125/(3.18) NOMINAL
4 = .250/(6.35) NOMINAL

PLATING
2 OR 9 = OVERALL BRIGHT TIN OVER NICKEL
3 = SELECT GOLD IN CONTACT AREA
SELECT MATTE TIN ON SOLDER TAILS OVER NICKEL
4 = SELECT SILVER IN CONTACT AREA
SELECT MATTE TIN ON SOLDER TAILS OVER NICKEL



THIS DRAWING CONTAINS INFORMATION THAT IS PROPRIETARY TO MOLEX ELECTRONIC TECHNOLOGIES, LLC AND SHOULD NOT BE USED WITHOUT WRITTEN PERMISSION

DIMENSION UNITS	SCALE	CURRENT REV DESC:	
IN/MM	4:1		
GENERAL TOLERANCES (UNLESS SPECIFIED)			
4 PLACES ±	±	EC NO: 650254	
3 PLACES ±	±	DRWN: SHRUTJ	2020/11/24
2 PLACES ±	0.25 ±	CHK'D: SHRUTJ	2020/11/30
1 PLACE ±	0.4 ±	APPR: ISHWARG	2020/11/30
0 PLACES ±	±	INITIAL REVISION:	
ANGULAR TOL ± 0.5°		DRWN: GES	2014/02/12
DRAFT WHERE APPLICABLE MUST REMAIN WITHIN DIMENSIONS		APPR: KPRASAD	2015/02/09
THIRD ANGLE PROJECTION		DRAWING	SERIES
D-SIZE		42819	
MATERIAL NUMBER		CUSTOMER	SHEET NUMBER
SEE CHART		GENERAL MARKET	1 OF 2

molex

VERTICAL HEADER ASSEMBLY MINIFIT SR. SERIES

PRODUCT CUSTOMER DRAWING

DOCUMENT NUMBER: SDA-42819-0002 DOC TYPE: PSD DOC PART: 001 REVISION: F2

DOCUMENT STATUS: P1 RELEASE DATE: 2020/11/30 07:17:49

ITEM NUMBER	CKT. SIZE	DIM. A	DIM. B	DIM. C	TERMINAL PLATING	CLIP PLATING	STATUS
428192212	2	3.50 [.138]	20.90 [.823]	1.80 [.071]	OVERALL BRIGHT TIN	NONE	PLANNED FOR OBSOLESCENCE
428192222	2	5.10 [.201]	20.90 [.823]	2.60 [.102]			
428192229	2	5.10 [.201]	20.90 [.823]	2.60 [.102]			
428192232	2	5.10 [.201]	20.90 [.823]	3.40 [.134]			
428192242	2	8.30 [.327]	20.90 [.823]	6.58 [.259]			
428193212	3	3.50 [.138]	30.90 [1.216]	1.80 [.071]			
428193222	3	5.10 [.201]	30.90 [1.216]	2.60 [.102]			
428193232	3	5.10 [.201]	30.90 [1.216]	3.40 [.134]			
428193242	3	8.30 [.327]	30.90 [1.216]	6.58 [.259]			
428194212	4	3.50 [.138]	40.90 [1.610]	1.80 [.071]			
428194222	4	5.10 [.201]	40.90 [1.610]	2.60 [.102]			
428194232	4	5.10 [.201]	40.90 [1.610]	3.40 [.134]			
428194242	4	8.30 [.327]	40.90 [1.610]	6.58 [.259]			
428195212	5	3.50 [.138]	50.90 [2.004]	1.80 [.071]			
428195222	5	5.10 [.201]	50.90 [2.004]	2.60 [.102]			
428195232	5	5.10 [.201]	50.90 [2.004]	3.40 [.134]			
428195242	5	8.30 [.327]	50.90 [2.004]	6.58 [.259]			
428196212	6	3.50 [.138]	60.90 [2.398]	1.80 [.071]			
428196222	6	5.10 [.201]	60.90 [2.398]	2.60 [.102]			
428196232	6	5.10 [.201]	60.90 [2.398]	3.40 [.134]			
428196242	6	8.30 [.327]	60.90 [2.398]	6.58 [.259]			

THIS DRAWING CONTAINS INFORMATION THAT IS PROPRIETARY TO MOLEX ELECTRONIC TECHNOLOGIES, LLC AND SHOULD NOT BE USED WITHOUT WRITTEN PERMISSION									
DIMENSION UNITS IN/MM		SCALE 1:2		CURRENT REV DESC:				molex	
GENERAL TOLERANCES (UNLESS SPECIFIED)				EC NO: 650254					
		MM	INCH	DRWN: SHRUTJ		2020/11/24		VERTICAL HEADER ASSEMBLY MINIFIT SR. SERIES	
4 PLACES ±		±	±	CHK'D: SHRUTJ		2020/11/30		PRODUCT CUSTOMER DRAWING	
3 PLACES ±		±	±	APPR: ISHWARG		2020/11/30		DOCUMENT NUMBER	
2 PLACES ±		0.25	±	INITIAL REVISION:		DRWN: GES		2014/02/12	
1 PLACE ±		0.4	±	DRWN: KPRASAD		2015/02/09		SDA-42819-0002	
0 PLACES ±		±	±	ANGULAR TOL ± 0.5 °		PSD		001	
DRAFT WHERE APPLICABLE MUST REMAIN WITHIN DIMENSIONS		THIRD ANGLE PROJECTION		DRAWING		SERIES		REVISION	
				D-SIZE		42819		F2	
DOCUMENT STATUS		P1		RELEASE DATE		2020/11/30		07:17:49	
DOCUMENT NUMBER		CUSTOMER		MATERIAL NUMBER		SHEET NUMBER			
SEE CHART		GENERAL MARKET		2 OF 2					