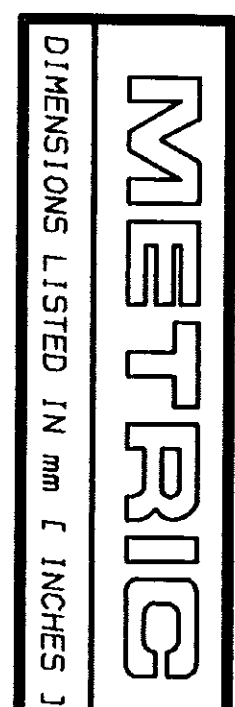
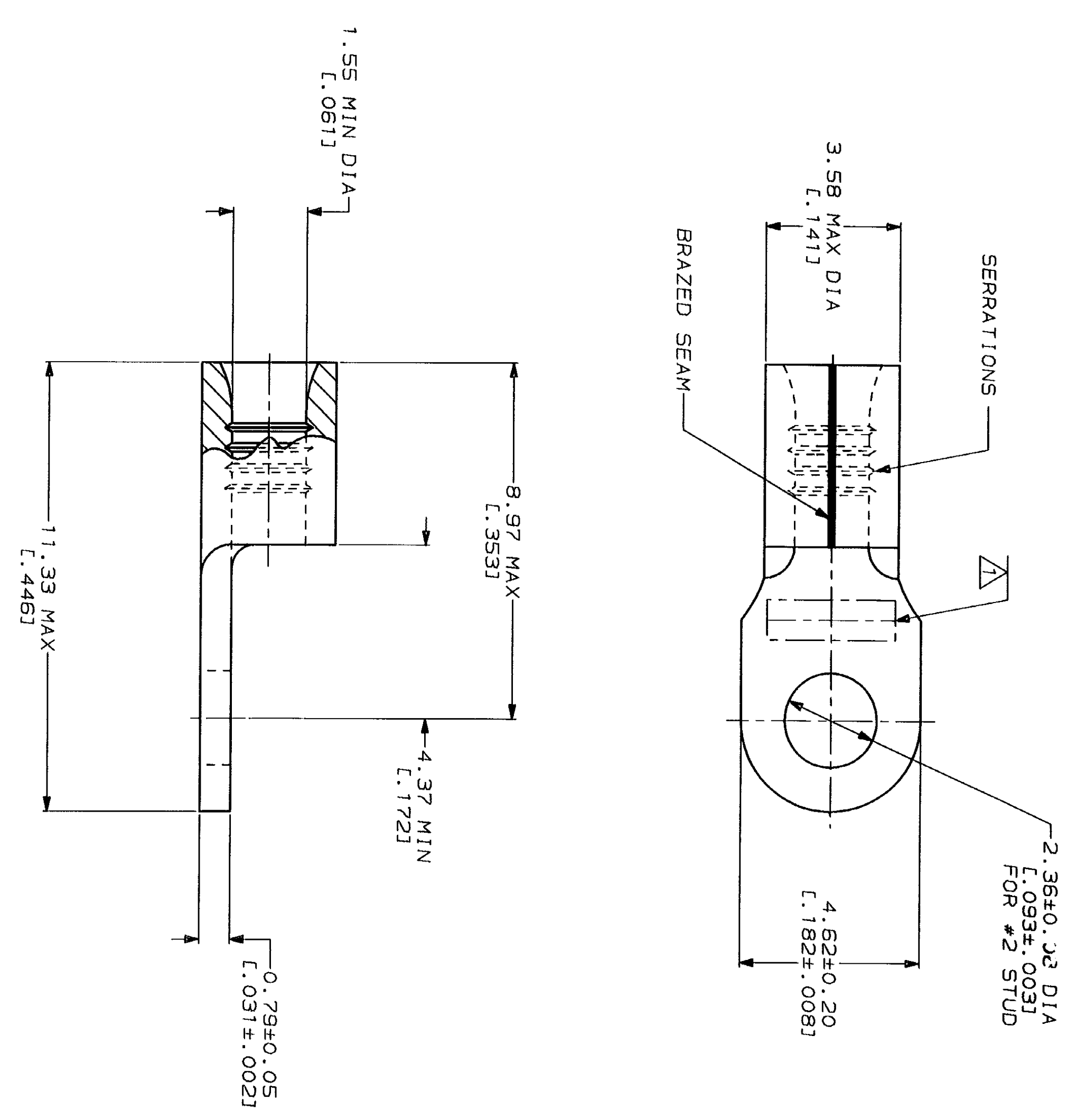


LOC	DIST	REV	DESCRIPTION	DATE	APPD
G	14	P	REV 8 REDRAWN PER 0720-0040-93	2-2-93	YB DAP



AMP WIRE RANGE	IL E13288 Listed
22-16 AWG SOLID OR STRANDED	22-16 AWG SOLID OR STRANDED
LR7189 Certified	MILITARY P/N AND CLASS
22-16 AWG SOLID OR STRANDED	NOT APPLICABLE

△ STAMP AMP 22-18* APPROX AS SHOWN
 22-16 TERMINALS ARE STAMPED 22-18 IN
 ACCORDANCE WITH MILITARY SPECIFICATION
 MIL-T-7928, COMMERCIAL WIRE RANGE IS 22-16



AMP INCORPORATED
CUSTOMER SERVICE SYSTEMS

FOR ADDITIONAL
 PRODUCT INFORMATION OR
 COPIES OF DRAWINGS
 AND TECHNICAL DOCUMENTS
 1-800-522-6752

FOR APPLICATION
 TOOLING INFORMATION
 1-800-722-1111

FOR ORDER ENTRY
 1-800-526-5142

MAX RECOMMENDED OPERATING
 TEMPERATURE: 170°C MAX

VOLTAGE RATING:
 NOT APPLICABLE

WIRE CROSS SECTIONAL AREA RANGE:
 0.26-1.65mm² [509-3,260] CIR MILS
 SOLID OR STRANDED

FINISH: TIN PLATE
 0.00254 [L.000100] MIN
 THK PER MIL-T-10727

DO NOT SCALE PRINT. UNLESS SPECIFIED DIMENSIONS IN mm [INCHES] TOLERANCES ON: 2 PLC DEC ± 3 PLC DEC ± ANGLES	DR 2-2-93 TA BRINKMAN	AMP Incorporated Harrisburg, PA 17105-3608
MATERIAL COPPER PER ASTM B-152 ANNEALED	CHK 2-2-93 DA PATTERSON	
APPD 2-2-93 DE MILLER	APPD 2-2-93 JL NECKLEY	
APPLICATION SPEC	NAME TERMINAL, RING TONGUE, SOLI STRAND™	CAGE CODE 00779 DRAWING NO 322927 SCALE 10:1 SHEET 1 OF 1