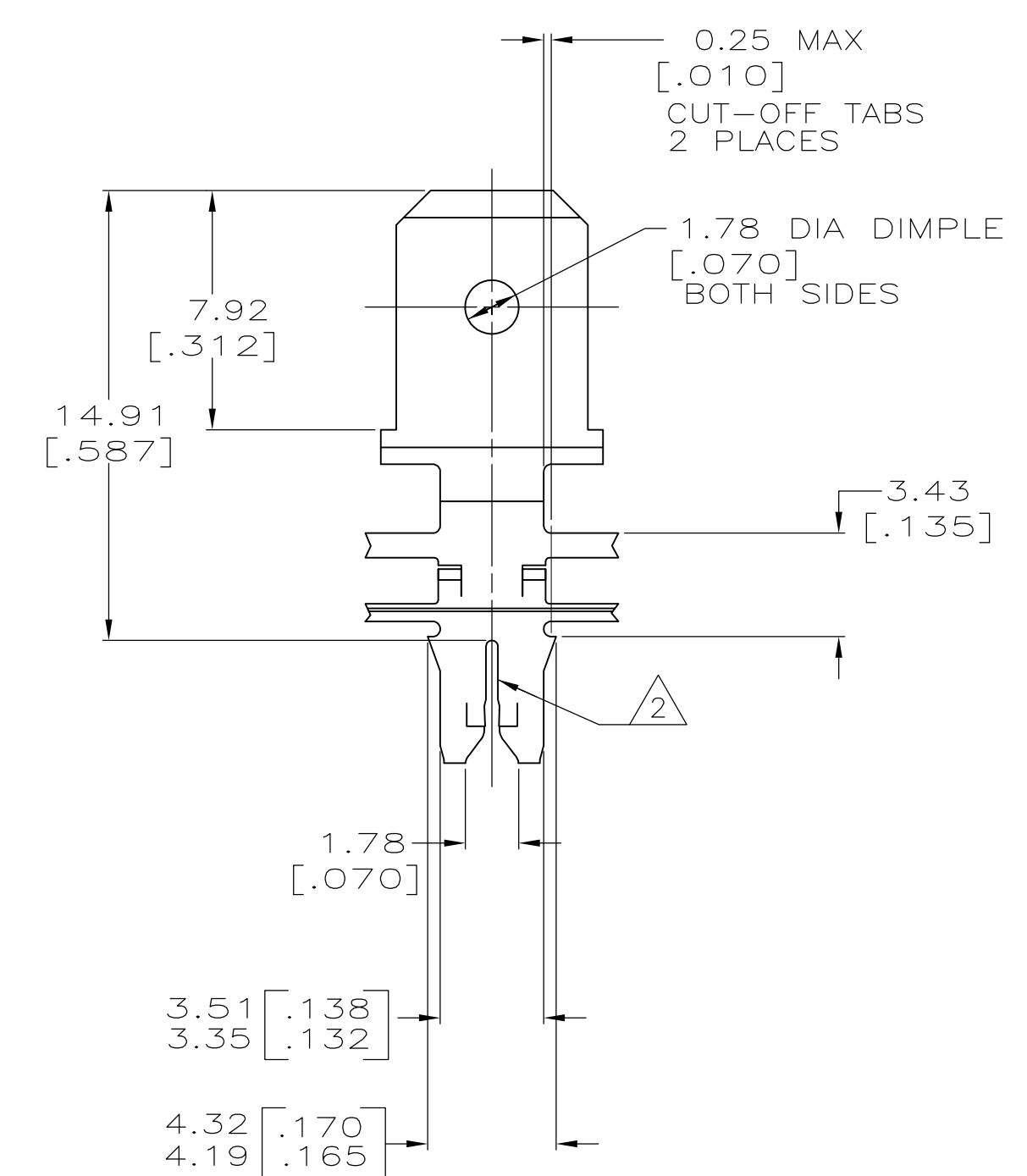
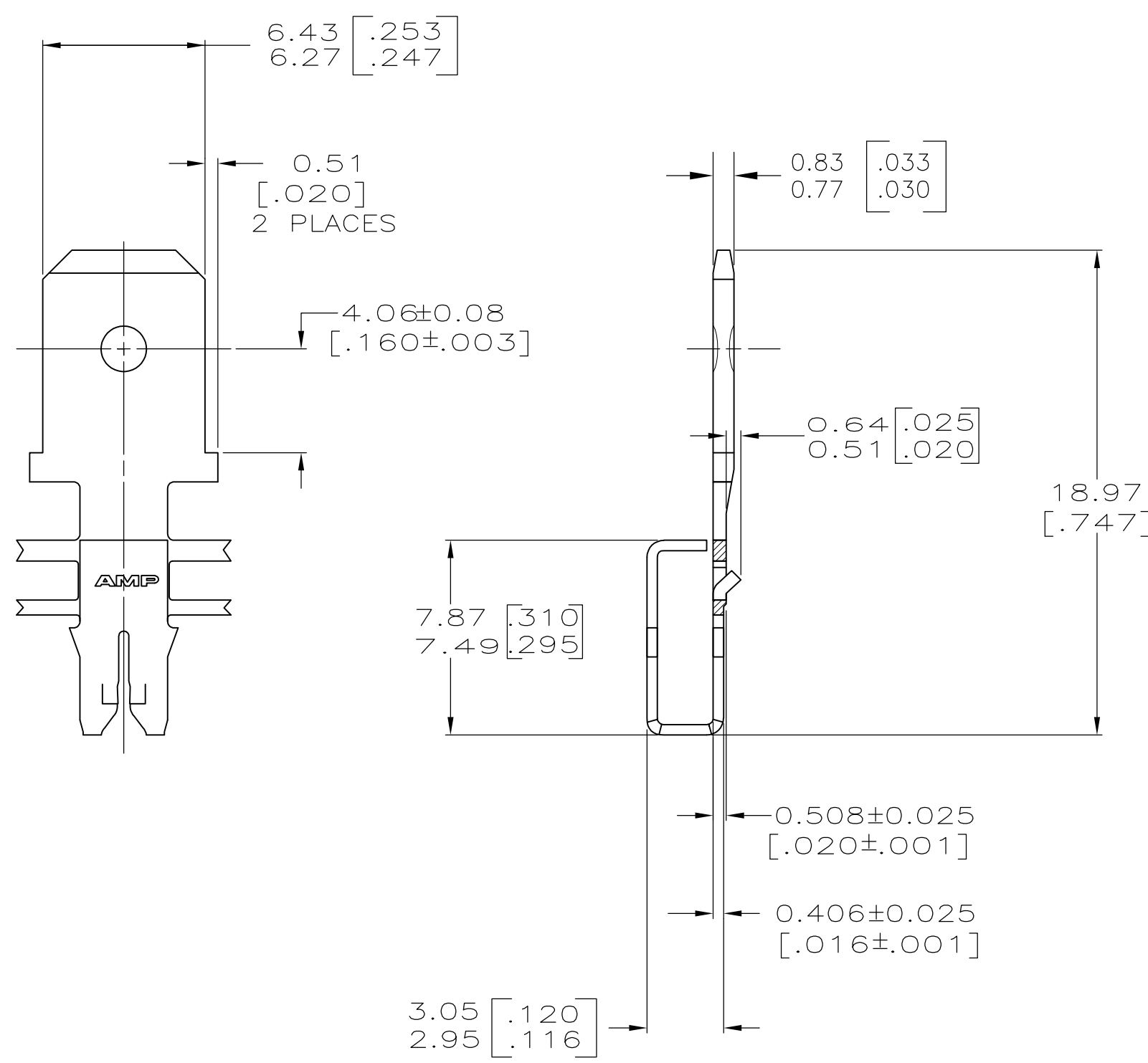


THIS DRAWING IS UNPUBLISHED. RELEASED FOR PUBLICATION  
 © COPYRIGHT BY TYCO ELECTRONICS CORPORATION. ALL RIGHTS RESERVED.

LOC	DIST	REVISIONS		
AF	50	P	LTR	DESCRIPTION
				DATE
				OWN
				APVD
		B1	ECR-15-005665	10AUG2015
				BDA
				PKS



- 1 CONTINUOUS STRIP ON REELS WITH TERMINALS LOCATED ON 8.38±0.08 [.330±.003] CENTERS.
- 2 SLOT ACCEPTS A SINGLE COPPER MAGNET WIRE. WIRE RANGE: 0.57-0.81mm [#23-#20] AWG. SLOT ACCEPTS A SINGLE ALUMINUM WIRE. WIRE RANGE: 0.72-0.91mm [#21-#19] AWG. ALUMINUM WIRE RANGE APPLIES FOR POST-TIN PLATED VERSIONS ONLY.



1217870-1  
 PART NUMBER

THIS DRAWING IS A CONTROLLED DOCUMENT.		DWN MICHAEL S. FEHER 30AUG2002	TE connectivity	
DIMENSIONS: mm [INCHES]		CHK KURT A. RANDOLPH 30AUG2002		
TOLERANCES UNLESS OTHERWISE SPECIFIED:		APVD KURT A. RANDOLPH 30AUG2002	NAME KURT A. RANDOLPH	
0 PLC ± -		PRODUCT SPEC 108-2012		TERMINAL, TAB, 6.35[.250] FASTON™ 300 SERIES MAG-MATE™
1 PLC ± -		APPLICATION SPEC 114-2067		
2 PLC ± 0.25[.010]		SIZE A2		CAGE CODE 00779
3 PLC ± -		DRAWING NO 1217870		RESTRICTED TO -
4 PLC ± -		WEIGHT -		SCALE 5:1
ANGLES ± - -		CUSTOMER DRAWING		SHEET 1 of 1
FINISH 0.002032[.000080]		REV B1		