

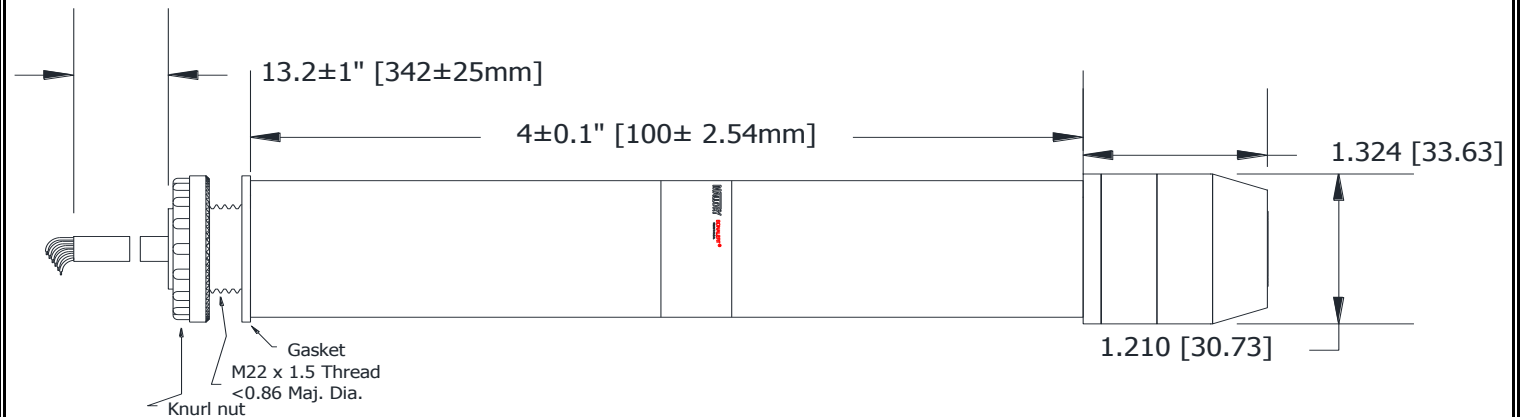


Sales Outline Drawing

Specifications:

Sound Level Category	Loud		
Mode of Operation	Fast Pulse @ 10 PPS for 15 Seconds, then 0.1s beep @ 1 PPS until reset.		
Voltage Rating	9 to 16 VDC		
Frequency	3900 ± 500 Hz		
Loudness @ 1M	80 to 85 dB(A) Typ.		
Sound Current Draw	40mA MAX		
Stack Level	BOTTOM	MIDDLE	TOP
LED Color	GREEN	YELLOW	RED
LED Current Draw	25mA max	60mA MAX	60mA MAX
Total Max Current Draw	185mA MAX		
Housing Material	6/6 Nylon, Color: Black		
Top Cap / Lens Material	6/6 Nylon, Color: Opaque White		
Storage Temperature	-40° to +70° C		
Operating Temperature	-30° to +60° C		
Panel Mounting	Recommended hole size is 22.5 mm.		
Knurled Nut	The max recommended torque is 10 in-lbs.		
Cable	Gray, UL Style 21894, 300V, 105°C, 24AWG, Pb-Free Tinned Leads		
Weight (Typical)	112 grams		
NEMA 3R,4X, & 12	Approved with use of included gasket.		
Options	Please contact factory.		

Dimensions: Inches (mm) **cUL Recognized** **ROHS Compliant**



Connections:

- SOUND BLACK wire to Ground and ORANGE wire to Positive
- BOTTOM BROWN wire to Ground and GREEN wire to Positive
- MIDDLE BROWN wire to Ground and YELLOW wire to Positive
- TOP BROWN wire to Ground and RED wire to Positive