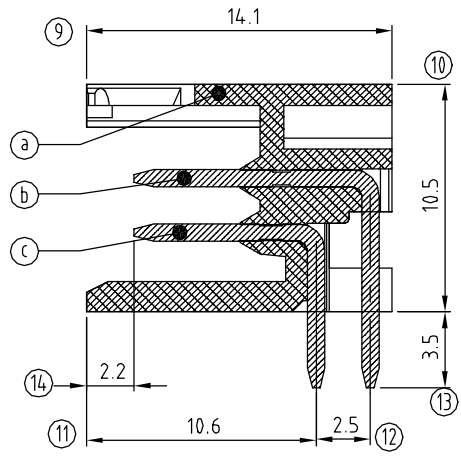
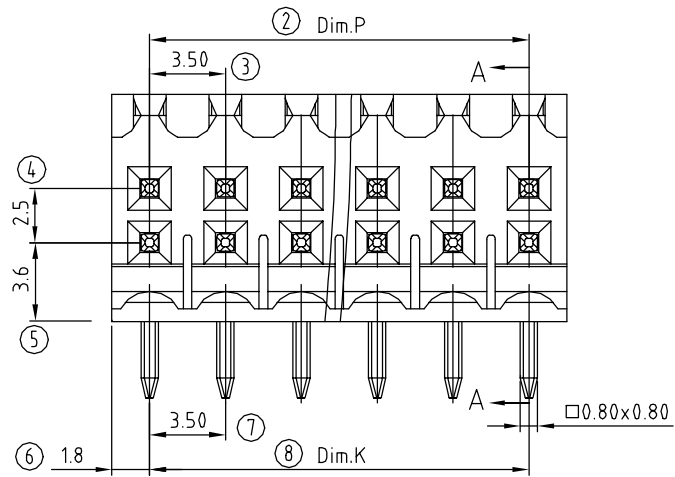
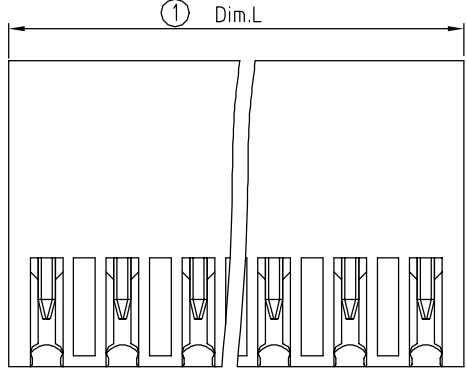
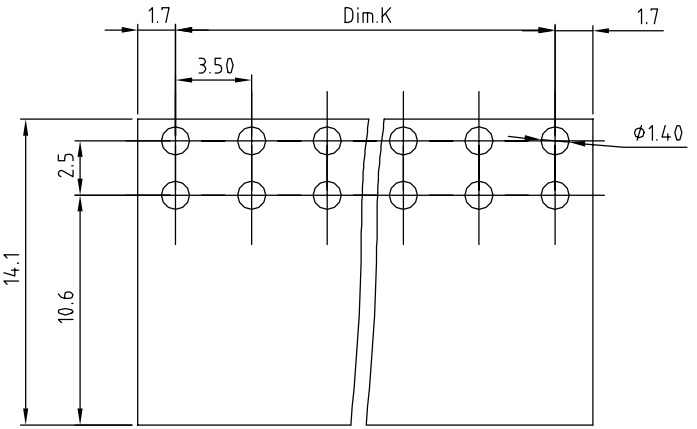


SIGN	DATE	DESCRIPTION	APPROVER
△	04/25 '11	Material is changed	Chen Bo
THIS IS CAD DRAWING, DO NOT REVISE MANUALLY!!!			



- Material:
- Item ① Terminal housing: PA66 (UL94V-0)
 - Item ② Male contact long pin: Brass, Tin plated
 - Item ③ Male contact short pin: Brass, Tin plated
- Electrical: cULus
- Voltage rating: 150V
 - Current rating: 7 A
 - Withstanding Voltage: 1.3KV
 - Operating temperature: -40°C to +115°C
 - Soldering temperature: 250°C±10°C/5 Sec
 - Safety Approval:



DimL=N/2×3.5
DimP=(N/2-1)×3.5
DimK=(N/2-1)×3.5

N=Number of poles

POLES	Dim.	
	Tol	
2x2p-2x6p	±0.15	±0.10
2x7p-2x12p	±0.25	±0.20
2x13p-2x18p	±0.35	±0.30
2x19p-2x24p	±0.40	±0.35

V X xx 10 x 1 xxxx G

NO of plose

04 2x2 CONTACTS	0 Black	RoHS
06 3x2 CONTACTS	3 Orange	Pb<40,000ppm
... ..	5 Green	0000 Standard @ Logo
48 24x2 CONTACTS	6 Blue	000A Standard ANY Logo
	8 Grey	Any special item by customer request, please contact sales department.

ANYTEK				INSPECTION COPY			
ALL RIGHTS RESERVED. REPRODUCTION OR ISSUE TO THIRD PARTIES IN ANY FORM WHATSOEVER IS NOT PERMITTED WITHOUT WRITTEN AUTHORITY FROM THE PROPRIETOR. PROPERTY OF ANYTEK TECHNOLOGY CO., LTD							
TITLE		VX 3.5mm Series Open type Right-angle					
PART NO.		VXxx10x1xxxxG			DWG NO.		8VX003
APPROVED		CHECKED	DESIGNED	DRAWN	CUST NO.		Tolerance
			Runner 2011.04.25	Chen Bo 2011.04.25			X. ±0.50
						UNIT: mm	
						SCALE: NONE	
				SHEET: 01/01		REV.: C	
						X.XX ±0.10	
						X° ±1°	