

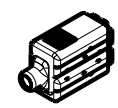
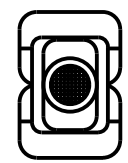
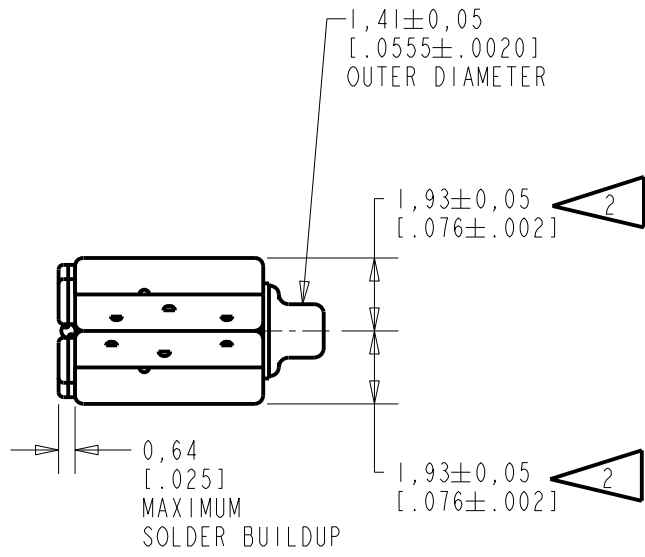
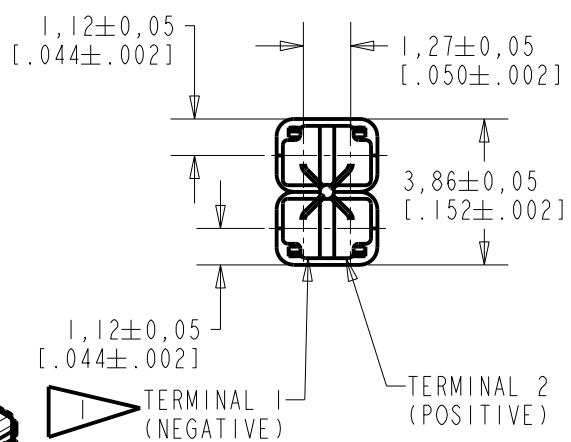
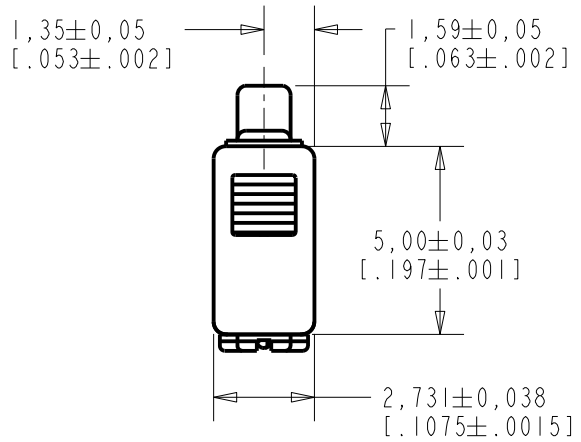
SWFK-32255-000

SHT 1.1

NOTES:

- 1 A POSITIVE GOING VOLTAGE AT TERMINAL 2, RELATIVE TO TERMINAL 1, CAUSES A DECREASE IN PRESSURE AT THE SOUND OUTLET.
- 2 LOCATED FROM TWO SURFACES FOR CUSTOMER CONVENIENCE. ONLY APPLICABLE FROM ONE SURFACE, NOT TO BE USED TOGETHER.

RED CONTROLLED



SCALE 2:1
 NOMINAL WEIGHT 0.19 GRAMS
 DIMENSIONS IN MILLIMETERS [INCHES]

KNOWLES ELECTRONICS
 ITASCA, ILLINOIS U.S.A.

Revision	C.O. #	Implementation Date	RELEASE LEVEL	REVISION
A	CI0115507	1-26-14	Active	A
SCALE: 5:1			DR. BY	DATE
DO NOT SCALE DRAWING			LW	1-26-14
TITLE: RECEIVER			CK. BY	DATE
OUTLINE DRAWING			GJP	1-28-14
SWFK-32255-000			APP. BY	DATE
SHT 1.1			GJP	1-28-14

A PAIR OF MAGNETIC BALANCED ARMATURE RECEIVERS WITH TAPERED REED INTENDED FOR USE AS THE HIGH FREQUENCY DRIVER IN A HI-FI SYSTEM.

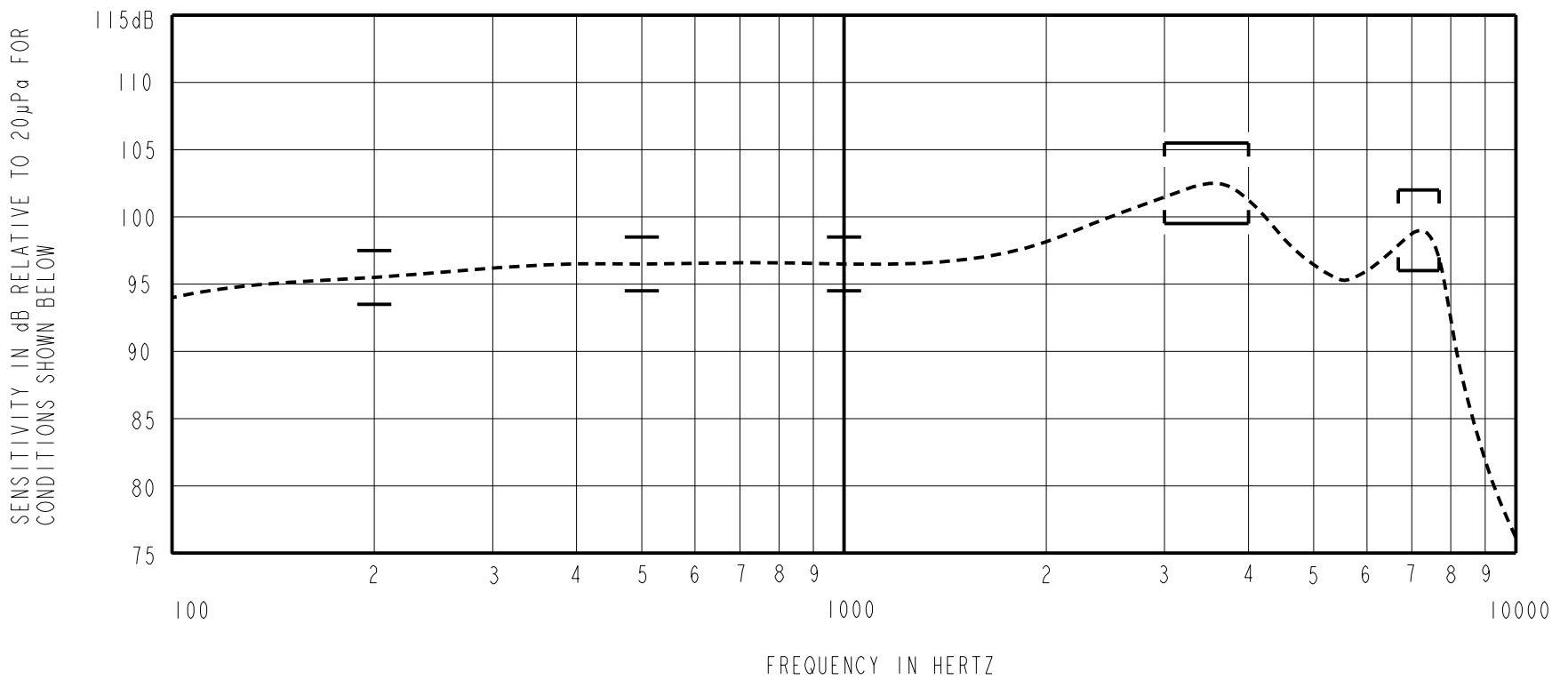
HEAVY TYPE 1

SWFK-32255-000

SHEET 2.1

NOTE: SPECIFICATIONS FOLLOWED BY AN ASTERISK (*) ARE 100% TESTED.

CONSTANT VOLTAGE CONDITIONS



ACOUSTICAL

SENSITIVITY*
 DEVICE WILL PRODUCE THE SPL LISTED BELOW UNDER TEST CONDITION IN TABLE 3.
 NOMINAL SENSITIVITY AT 1kHz IS dB RELATIVE TO 20 μPa. ALL OTHER VALUES
 IN dB RELATIVE TO THE SENSITIVITY AT 1kHz.

FREQUENCY (Hz)	MINIMUM	NOMINAL	MAXIMUM
200	-3.0	-1.0	+1.0
500	-2.0	0.0	+2.0
1000	-2.0	96.5	+2.0
3000-4000 PEAK	+3.0	+6.0	+9.0
6700-7700 PEAK	-0.5	+2.5	+5.5

TABLE 1

TOTAL HARMONIC DISTORTION*
 DEVICE WILL NOT EXCEED TOTAL HARMONIC DISTORTION LEVELS LISTED BELOW.

FREQUENCY (Hz)	AC DRIVE (V rms)	DC BIAS (V)	LIMIT (%)
1166	.094	0	5
1750	.094	0	5
1750	.265	0	10

TABLE 2

TEST CONDITIONS

NOMINAL SOURCE VOLTAGE	.094 V rms, 0 mA DC BIAS
SOURCE IMPEDANCE	<0.2 Ohm
TUBING	10mm [.394"] LONG, 1mm [.039"] I.D.
COUPLER CAVITY	2 CM ³ , SIMULATED ANSI S3.7 TYPE HA-3 (IEC 60318-5)

TABLE 3

ELECTRICAL

DC RESISTANCE	6.3 Ohms ± 10%*
IMPEDANCE @ 500 Hz	6.6 Ohms ± 20%
IMPEDANCE @ 1kHz	7.0 Ohms ± 20%

TABLE 4

ISOLATION: CASE WILL BE ELECTRICALLY ISOLATED FROM THE COIL CIRCUIT.

MECHANICAL

PORT LOCATION: 12S
 SOLDER TYPE: SAC305
 TEMPERATURE
 OPERATING: SENSITIVITY WILL NOT VARY MORE
 THAN +1 / -3 dB FROM -17°C TO 63°C.
 STORAGE: -40°C TO 63°C.

RED CONTROLLED

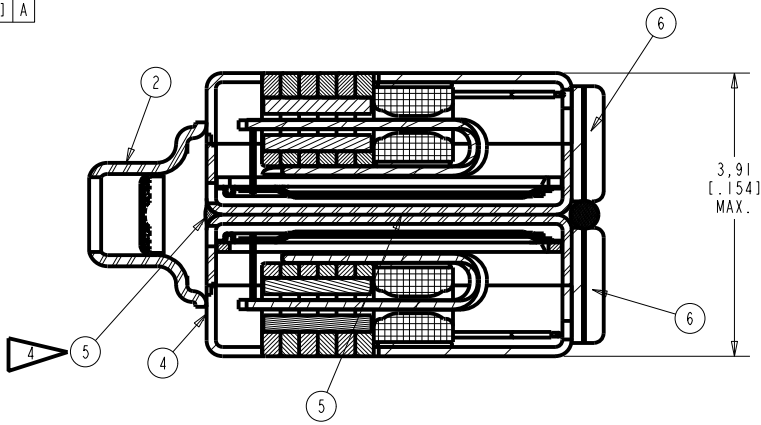
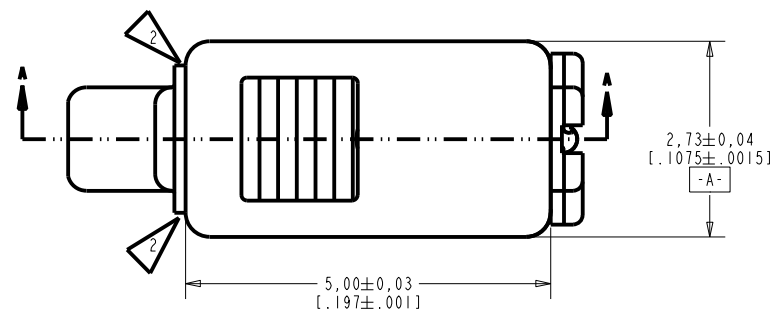
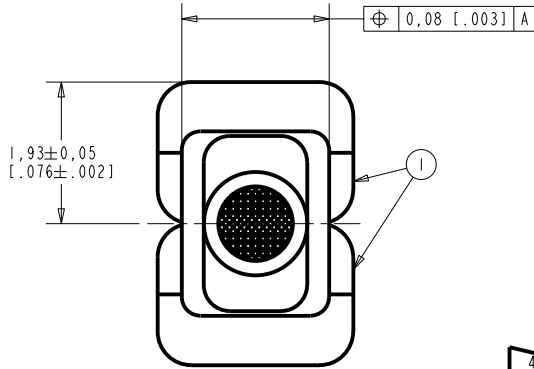
KNOWLES ELECTRONICS
 ITASCA, ILLINOIS U.S.A.

Revision	C.O. #	Implementation Date	RELEASE LEVEL	REVISION
A	C10115507	1-26-14	Active	A

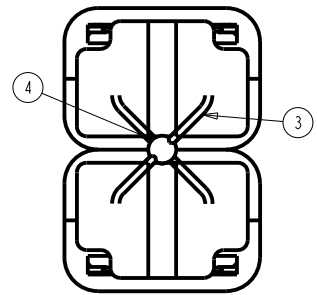
WHEN TEST LIMITS ARE USED TO ESTABLISH INCOMING INSPECTION ACCEPTANCE/REJECTION CRITERIA, CORRELATION OF TEST EQUIPMENT WITH KNOWLES IS ALSO REQUIRED FOR ELIMINATION OF EQUIPMENT AND TEST METHOD VARIATION		DR. BY	DATE
TITLE: RECEIVER PERFORMANCE SPECIFICATION		LW	1-26-14
		GJP	1-28-14
SWFK-32255-000 SHT 2.1		APP. BY	DATE
		GJP	1-28-14

SMFK-32255-000

PROPRIETARY NOTE: THIS DOCUMENT CONTAINS INFORMATION WHICH IS THE PROPRIETARY PROPERTY OF KNOWLES ELECTRONICS, LLC. OR ITS AFFILIATED ENTITIES. IT IS ISSUED TO YOU UNDER A LIMITED LICENSE TO YOU OR YOUR COMPANY. IT IS NOT TO BE REPRODUCED, COPIED, OR TRANSMITTED IN ANY MANNER WITHOUT PRIOR WRITTEN PERMISSION OF, AND MUST BE RETURNED UPON REQUEST BY, KNOWLES ELECTRONICS, LLC.



- NOTES:
1. ITEM NUMBERS (SHOWN THUS **6**) CORRESPOND TO ITEM NUMBER ON BILL OF MATERIAL.
 - 2 AIRTIGHT SEAL ALL AROUND.
 3. THIS ASSEMBLY IS GLUED TOGETHER AND THE TUBE IS WELDED TO THE CUPS.
 - 4 SEAL JOINT ACROSS FRONT OF RECEIVER.



RED CONTROLLED

DIMENSIONS IN MILLIMETERS (INCHES)

MATERIAL SEE BILL OF MATERIAL		FINISH ---	RELEASE LEVEL Active	REVISION A
REF. A	NONE	C10115507	SCALE: 15:1	DO NOT SCALE DRAWING
			UNLESS OTHERWISE SPECIFIED, DIMENSIONS ARE IN INCHES	DR. BY LW DATE 1-26-14
THIRD ANGLE PROJECTION		TITLE RECEIVER ASSEMBLY	CH. BY GJP DATE 1-28-14	APP. BY GJP DATE 1-28-14
KNOWLES ELECTRONICS ITASCA, ILLINOIS U.S.A.			SHEET 3.1	

SWFK-32255-000			KNOWLES ELECTRONICS		SWFK-32255-000	
Sheet 4.1			ITASCA, ILLINOIS U.S.A.		Sheet 4.1	
Dr.	By	Date	Subject:	RECEIVER ASSEMBLY	Revision	A
Ch.	GJP	1-28-14			Release Level	
App.	GJP	1-28-14			Active	

COL. 1	2	3	4	Item No.	Line No.
Part or Dwg. no.	Tot. Req.	Nomenclature:	Applicable Specs or Remarks		
WBFK-31142-000	2	RECEIVER ASSEMBLY		1	1
FH-172-015	1	TUBE & SCREEN ASSEMBLY		2	2
103-012	A/R	WIRE		3	3
13-825-3145	A/R	CEMENT		4	4
13-637	A/R	CEMENT		5	5
285-007-221	A/R	SOLDER LEAD FREE		6	6

RED CONTROLLED

REVISION	A	C10115507	SWFK-32255-000 Sheet 4.1
			PROPRIETARY NOTE: THIS DOCUMENT CONTAINS INFORMATION WHICH IS THE PROPRIETARY PROPERTY OF KNOWLES ELECTRONICS, LLC. OR ITS AFFILIATED ENTITIES. IT IS ISSUED IN STRICT CONFIDENCE AND SHALL NOT BE REPRODUCED, COPIED, USED, OR DISCLOSED TO ANY THIRD PARTY PARTIALLY OR WHOLLY IN ANY MANNER WITHOUT PRIOR WRITTEN PERMISSION OF, AND MUST BE RETURNED UPON REQUEST BY, KNOWLES ELECTRONICS, LLC.

REV: D RET: BDC/PRT/IND/FRM

PRODUCTION TEST INFORMATION

SOFTWARE REVISION PXI FCAAT	SOFTWARE 2.5 MIN.
HARDWARE REVISION PXI FCAAT	KE 1065E.008 MIN.
TEST BOARD	T4530
TEST COUPLER	T8049

PHASE TEST

FREQUENCY (Hz)	AC DRIVE (mA _{rms})	DEGREE LIMIT	
		MIN	MAX
500	5.8	140	220

RED CONTROLLED

Revision	C.O. #	Implementation Date	RELEASE LEVEL	REVISION
			Active	A
A	C10115507	1-26-14		

KNOWLES ELECTRONICS
ITASCA, ILLINOIS U.S.A.

WHEN TEST LIMITS ARE USED TO ESTABLISH INCOMING INSPECTION ACCEPTANCE/REJECTION CRITERIA, CORRELATION OF TEST EQUIPMENT WITH KNOWLES IS ALSO REQUIRED FOR ELIMINATION OF EQUIPMENT AND TEST METHOD VARIATION

DR. BY	DATE
LW	1-26-14
CK. BY	DATE
GJP	1-28-14
APP. BY	DATE
GJP	1-28-14

TITLE: **RECEIVER** **SWFK-32255-000**
PERFORMANCE SPECIFICATION **SHT 5.1**