

926681-1 ✓ ACTIVE

MATE-N-LOK | Universal MATE-N-LOK

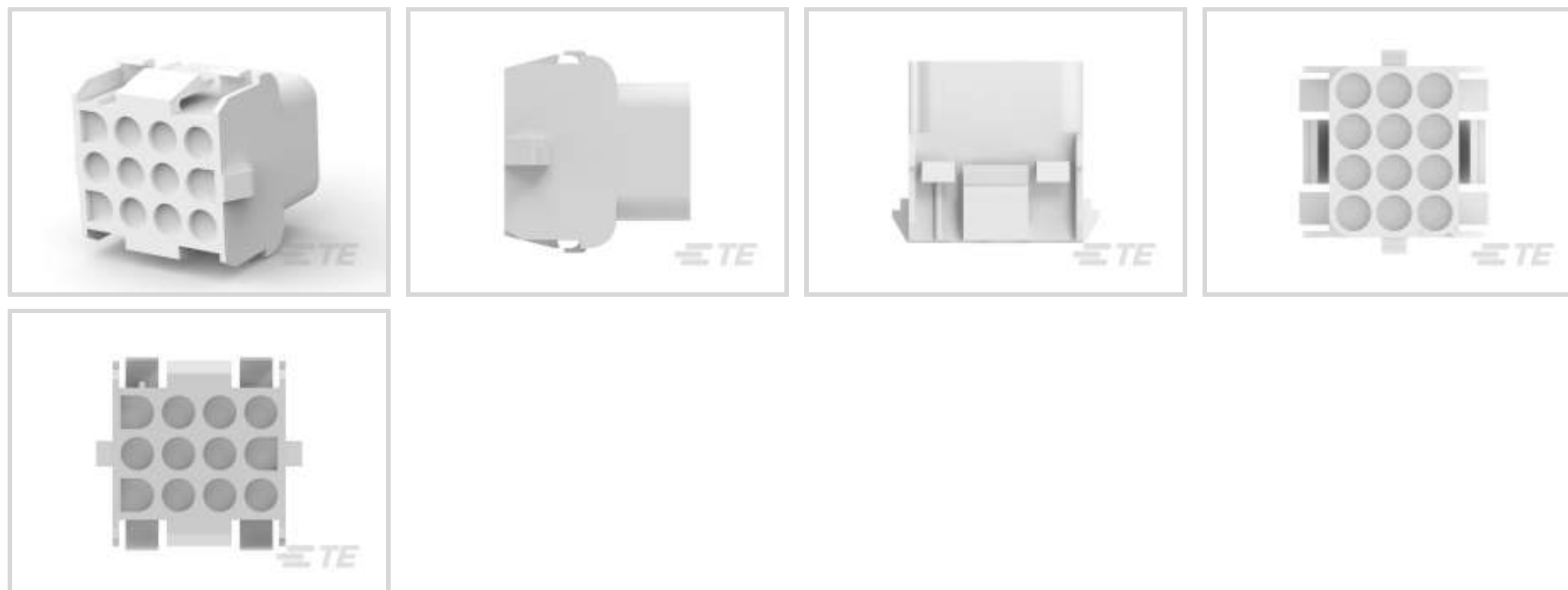
TE Internal #: 926681-1

Rectangular Power Connectors, Housing, Receptacle, Wire-to-Wire / Wire-to-Panel, 12 Position, 6.35 mm [.25 in] Centerline, Universal MATE-N-LOK

[View on TE.com >](#)



Connectors > Power Connectors > Rectangular Power > Rectangular Power Connectors



Rectangular Power Connector Type: **Housing**

Connector & Housing Type: **Receptacle**

Connector System: **Wire-to-Panel, Wire-to-Wire**

Number of Positions: **12**

Centerline (Pitch): **6.35 mm [.25 in]**

Features

Product Type Features

Rectangular Power Connector Type	Housing
Connector & Housing Type	Receptacle
Connector System	Wire-to-Panel, Wire-to-Wire
Sealable	No
Connector & Contact Terminates To	Wire & Cable

Configuration Features

Number of Positions	12
Number of Rows	3

Electrical Characteristics

Operating Voltage	600 VAC
-------------------	---------

Contact Features

Multiple Contact Types	Without
Contact Layout	Matrix
Contact Retention Within Housing	Without



Contact Type	Pin
--------------	-----

Termination Features

Termination Method to Wire & Cable	Crimp
------------------------------------	-------

Mechanical Attachment

Panel Mount Feature	With
---------------------	------

Panel Mount Feature Type	Patch & Tabs
--------------------------	--------------

Connector Mounting Type	Panel Mount
-------------------------	-------------

Housing Features

Centerline (Pitch)	6.35 mm [.25 in]
--------------------	------------------

Housing Color	Natural
---------------	---------

Housing Material	PA 6.6
------------------	--------

Dimensions

Panel Thickness (Recommended)	.76 – 2.29 mm [.03 – .09 in]
-------------------------------	------------------------------

Connector Height	27.43 mm [1.08 in]
------------------	--------------------

Product Width	31.75 mm [1.24 in]
---------------	--------------------

Product Length	25 mm [.984 in]
----------------	-----------------

Row-to-Row Spacing	6.35 mm [.25 in]
--------------------	------------------

Usage Conditions

Operating Temperature Range	-55 – 105 °C [-67 – 221 °F]
-----------------------------	-----------------------------

Operation/Application

Circuit Application	Power & Signal
---------------------	----------------

Identification Marking

Circuit Identification Feature	Without
--------------------------------	---------

Industry Standards

UL Rating	Recognized
-----------	------------

Agency/Standard	CSA, UL, VDE
-----------------	--------------

Approved Standards	UL E28476
--------------------	-----------

UL Flammability Rating	UL 94V-2
------------------------	----------

Glow Wire Rating	Standard Part - Not Glow Wire
------------------	-------------------------------

Packaging Features

Packaging Quantity	450
--------------------	-----

Packaging Method

Box

Product Compliance

For compliance documentation, visit the product page on [TE.com](https://www.te.com)>

EU RoHS Directive 2011/65/EU

Compliant

EU ELV Directive 2000/53/EC

Compliant

China RoHS 2 Directive MIIT Order No 32, 2016

No Restricted Materials Above Threshold

EU REACH Regulation (EC) No. 1907/2006

Current ECHA Candidate List: JUNE 2023 (235)
Candidate List Declared Against: JAN 2023 (233)
Does not contain REACH SVHC

Halogen Content

Low Halogen - Br, Cl, F, I < 900 ppm per homogenous material. Also BFR/CFR/PVC Free

Solder Process Capability

Not applicable for solder process capability

Product Compliance Disclaimer

This information is provided based on reasonable inquiry of our suppliers and represents our current actual knowledge based on the information they provided. This information is subject to change. The part numbers that TE has identified as EU RoHS compliant have a maximum concentration of 0.1% by weight in homogenous materials for lead, hexavalent chromium, mercury, PBB, PBDE, DBP, BBP, DEHP, DIBP, and 0.01% for cadmium, or qualify for an exemption to these limits as defined in the Annexes of Directive 2011/65/EU (RoHS2). Finished electrical and electronic equipment products will be CE marked as required by Directive 2011/65/EU. Components may not be CE marked. Additionally, the part numbers that TE has identified as EU ELV compliant have a maximum concentration of 0.1% by weight in homogenous materials for lead, hexavalent chromium, and mercury, and 0.01% for cadmium, or qualify for an exemption to these limits as defined in the Annexes of Directive 2000/53/EC (ELV). Regarding the REACH Regulation, the information TE provides on SVHC in articles for this part number is based on the latest European Chemicals Agency (ECHA) 'Guidance on requirements for substances in articles' posted at this URL: <https://echa.europa.eu/guidance-documents/guidance-on-reach>

Compatible Parts



TE Part # 350737-4
12P UMNL PIN HDR ASSY 94VO LF



TE Part # 350829-4
12P UMNL HDR ASSY PC 94VO LF



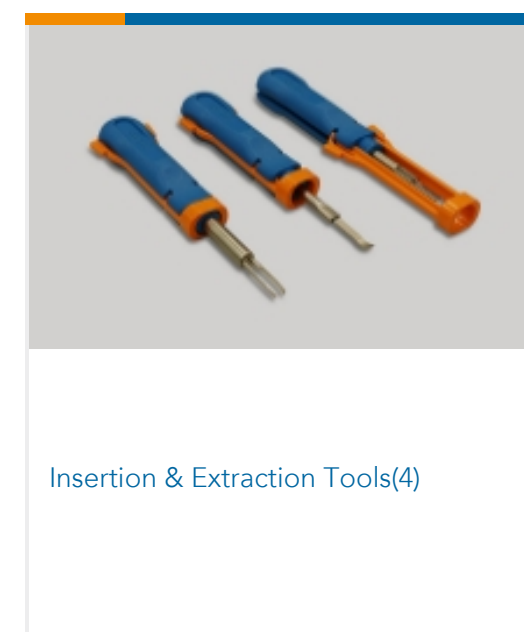
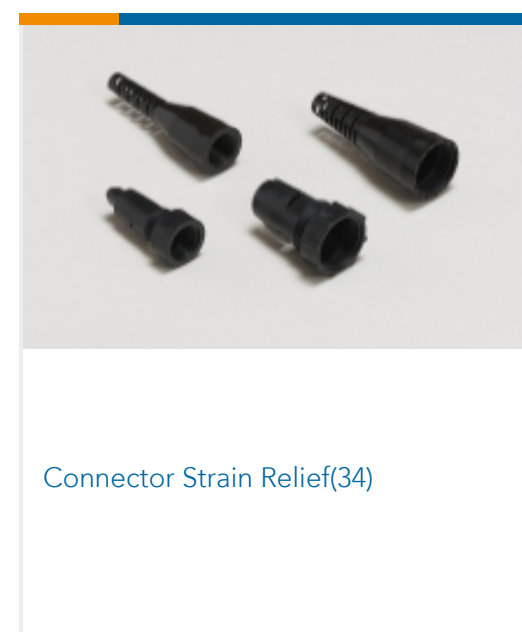
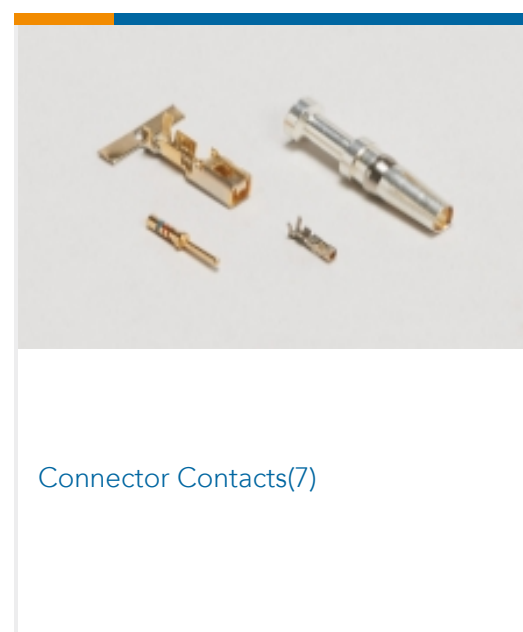
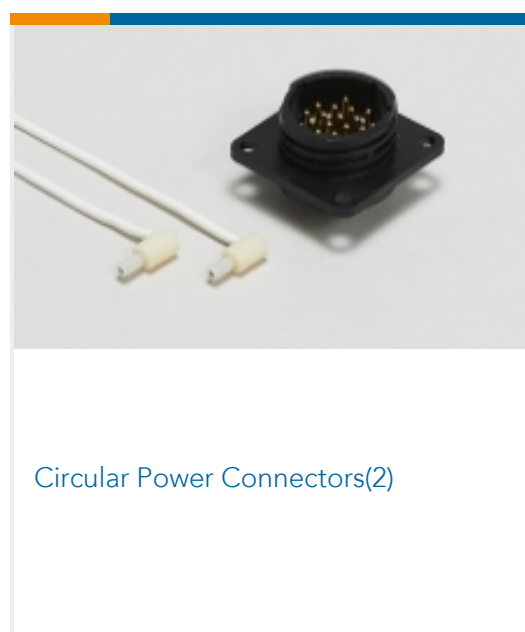
TE Part # 770041-1
12P UMNL II PLUG-FRONT 94VO

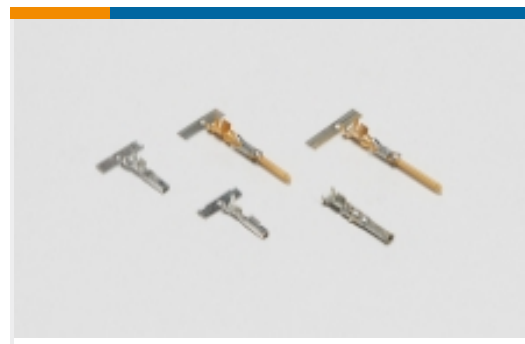


TE Part # 350433-4
12P UMNL PIN HDR ASSY NATL LF

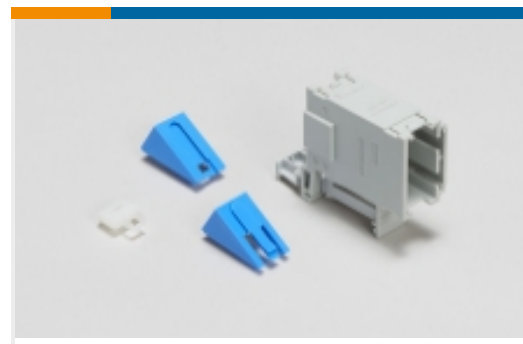


Also in the Series | **Universal MATE-N-LOK**

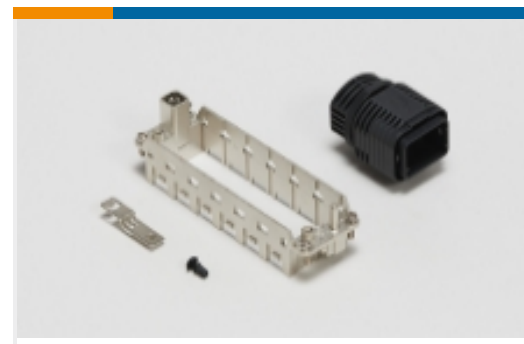




Power Contacts(201)



Rectangular Connector Adapters(7)



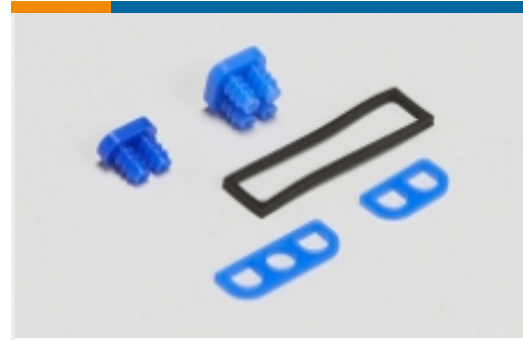
Rectangular Connector Hardware(1)



Rectangular Connector Housings(1)



Rectangular Connector Keying Plugs(3)



Rectangular Connector Seals(26)



Rectangular Power Connectors(662)

Customers Also Bought



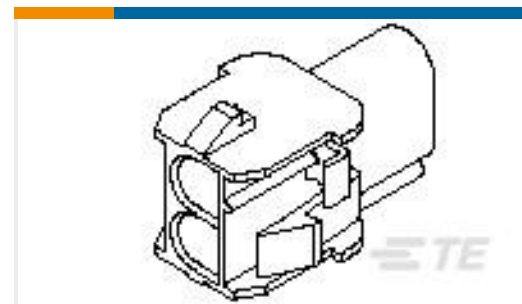
TE Part #HDP24-24-33SN
REC, 33P, BLK, N, 20, S



TE Part #770041-1
12P UMNL II PLUG-FRONT 94VO



TE Part #926299-5
UNML PLUG 5WAY



TE Part #794815-1
02P UMNL CAP HSG,HI TEMP



TE Part #174922-2
MULTILOCK, CONNECTOR HOUSING



TE Part #344009-1
.250" SPEC.F.RECP.(PLATED)



TE Part #1-1863005-2
UMNL 12 WAY PLUG HOUSING



TE Part #281871-3
5MM PITCH TAB/RECPT CONN



CRIMPER REPRESENTATION ONLY

TE Part #2-2119785-2
CRIMPER, INSULATION OVERLAP
PREMIUM

Documents



Product Drawings

UNIV.M-N-L.CAP HSG.

English

CAD Files

3D PDF

English

Customer View Model

[ENG_CVM_926681-1_B2.2d_dxf.zip](#)

English

Customer View Model

[ENG_CVM_926681-1_B2.3d_igs.zip](#)

English

Customer View Model

[ENG_CVM_926681-1_B2.3d_stp.zip](#)

English

3D PDF

3D

Customer View Model

[ENG_CVM_CVM_926681-1_A.2d_dxf.zip](#)

English

Customer View Model

[ENG_CVM_CVM_926681-1_A.3d_igs.zip](#)

English

Customer View Model

[ENG_CVM_CVM_926681-1_A.3d_stp.zip](#)

English

By downloading the CAD file I accept and agree to the [Terms and Conditions](#) of use.

Datasheets & Catalog Pages

2_PIECE_POWER_CONNECTORS_qrg_4-1773458-1

English

Product Specifications

Application Specification

German