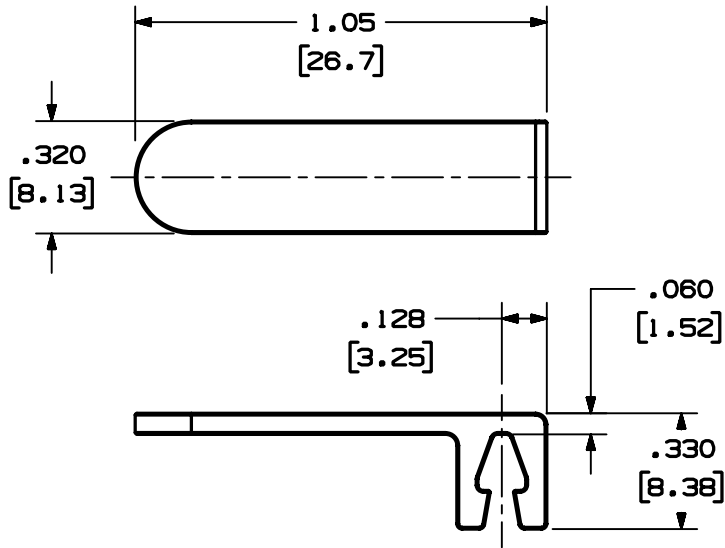
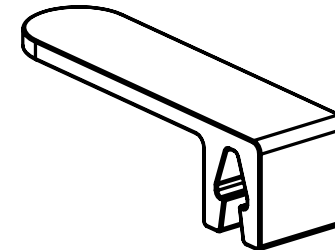


THIS COPY IS PROVIDED ON A RESTRICTED BASIS AND IS NOT TO BE USED IN ANY WAY DETRIMENTAL TO THE INTERESTS OF PANDUIT CORP.



- NOTES:**
1. SEE CURRENT CATALOG FOR ADDITIONAL PART SUFFIXES TO INDICATE COLOR AND/OR PACKAGE QUANTITY.
 2. DIMENSIONS IN INCHES [MILLIMETERS].

PART NO.	WEIGHT
T3WR	.001 LBS .622 g



CAD FILENAME/LAYERS		D36401BD_DC_T3WR_00B.prt	
<h1>PANDUIT</h1> CORP. TINLEY PARK, ILLINOIS			
DIVIDER WALL WIRE RETAINER (T3WR) CUSTOMER DRAWING			
UNLESS OTHERWISE SPECIFIED, DIMENSIONAL TOLERANCES ARE:		UNLESS OTHERWISE SPECIFIED, ALL DIMENSIONS ARE GIVEN IN INCHES, THIRD ANGLE PROJECTION.	
(.X) ± .01 (.XX) ± .01 (.XXX) ± .005 ANGLES ± 1°		SCALE 2X	
DRAWN BY JCST	MAT'L; DUPONT	DRAWING NO. 36401-08	DWG SIZE A
DATE 9-07-01	ZYTEL 101F	(NYLON)	
CHK'D JKG			

REV	DATE	BY	CHK	DESCRIPTION	ECN	R	CUST	SUP
1	2-28-02	JCST	JKG	A. CHANGED DRAWING AND ECN NUMBER FROM 36401-07 TO 36401-08	36401-08	RTF1	RTF1	
R	9-7-01	JCST	JKG	RELEASED TO PRODUCTION	36401-07	JKG	JKG	