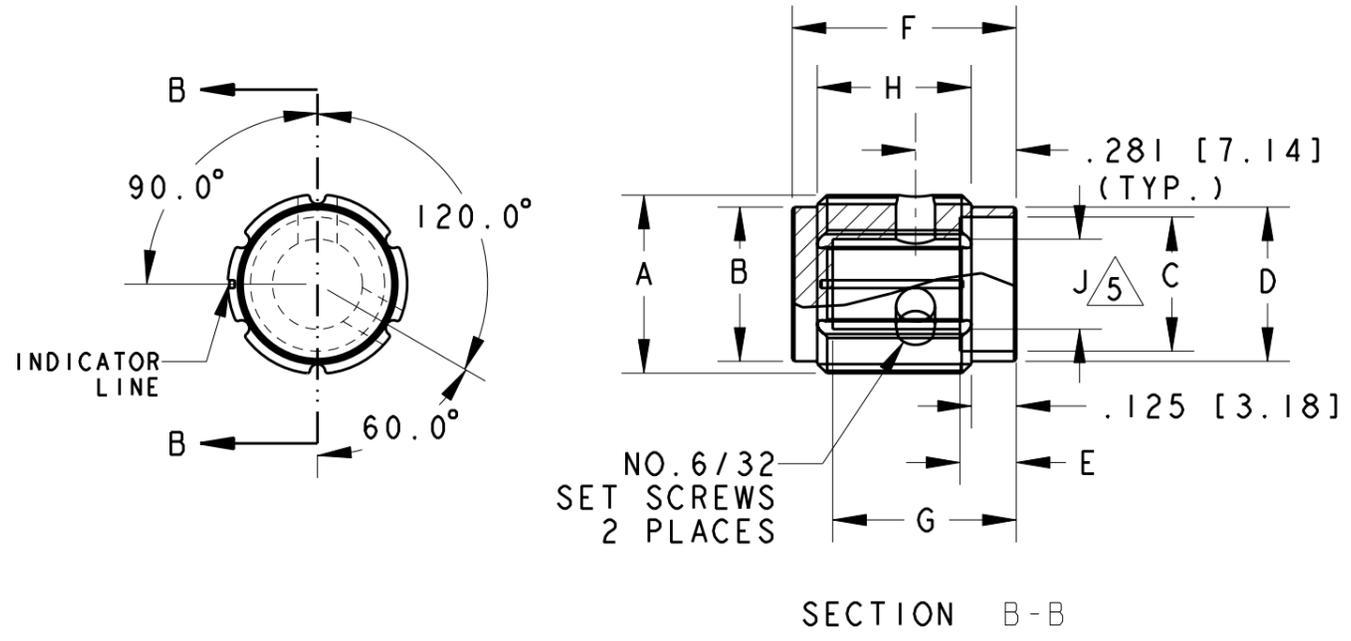


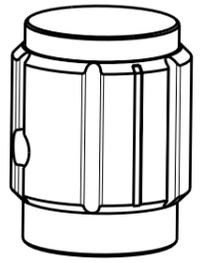
THIS DRAWING IS UNPUBLISHED. RELEASED FOR PUBLICATION 20
 © COPYRIGHT 20 BY TYCO ELECTRONICS CORPORATION. ALL RIGHTS RESERVED.

LOC	DIST	REVISIONS				
P	LTR	DESCRIPTION	DATE	DWN	APVD	
AD	00	A	ECO-08-028081	17NOV2008	MB MW	



- PARTS TO BE CLEAN AND DRY WHEN RECEIVED
- BURRS CAUSED BY TAPPING MUST NOT INTERFERE WITH SHAFT INSERTION TO FULL SHAFT DEPTH, NOR ARE BURRS ALLOWED ABOVE OUTER SURFACES.

- 3 2 STAINLESS STEEL SOCKET SET SCREWS
- 4 KNOB 5056 ALUMINUM ALLOY COLOR SEE TABLE
- 5 SHAFT HOLE TOLERANCE +.003 -.000



PART NUMBER	MODEL NO.	A	B	C	D	E	F	G	H	J	ANODIZE
2-1437621-0	KA-500-A-1/8	.500 (12.70)	.430 (10.9)	.375 (9.53)	.430 (10.9)	.157 (15.9)	.625 (15.9)	.512 (13.0)	.430 (10.9)	.126 (3.20)	CLEAR
1-1437621-9	KA-500-A-1/4	.500 (12.70)	.430 (10.9)	.375 (9.53)	.430 (10.9)	.157 (15.9)	.625 (15.9)	.512 (13.0)	.430 (10.9)	.251 (6.37)	CLEAR
2-1437621-2	KA-500-B-1/8	.500 (12.70)	.430 (10.9)	.375 (9.53)	.430 (10.9)	.157 (15.9)	.625 (15.9)	.512 (13.0)	.430 (10.9)	.126 (3.20)	BLACK
2-1437621-1	KA-500-B-1/4	.500 (12.70)	.430 (10.9)	.375 (9.53)	.430 (10.9)	.157 (15.9)	.625 (15.9)	.512 (13.0)	.430 (10.9)	.251 (6.37)	BLACK
2-1437621-3	KA-700-A-1/4	.750 (19.05)	.655 (16.6)	.590 (15.0)	.655 (16.6)	.157 (15.9)	.625 (15.9)	.512 (13.0)	.430 (10.9)	.251 (6.37)	CLEAR
2-1437621-4	KA-700-B-1/4	.750 (19.05)	.655 (16.6)	.590 (15.0)	.655 (16.6)	.157 (15.9)	.625 (15.9)	.512 (13.0)	.430 (10.9)	.251 (6.37)	BLACK
2-1437621-5	KA-900-A-1/4	.937 (28.8)	.817 (20.8)	.700 (17.8)	.817 (20.8)	.157 (15.9)	.625 (15.9)	.512 (13.0)	.430 (10.9)	.251 (6.37)	CLEAR
2-1437621-6	KA-900-B-1/4	.937 (28.8)	.817 (20.8)	.700 (17.8)	.817 (20.8)	.157 (15.9)	.625 (15.9)	.512 (13.0)	.430 (10.9)	.251 (6.37)	BLACK
1977113-1	KA-900A-NL-1/4	.937 (28.8)	.817 (20.8)	.700 (17.8)	.817 (20.8)	.157 (15.9)	.625 (15.9)	.512 (13.0)	.430 (10.9)	.251 (6.37)	CLEAR
-	KA-1250-A-1/4	1.250 (31.8)	1.110 (28.2)	.985 (25.0)	1.110 (28.2)	.157 (15.9)	.625 (15.9)	.512 (13.0)	.430 (10.9)	.251 (6.37)	CLEAR
1-1437621-8	KA-1250-B-1/4	1.250 (31.8)	1.110 (28.2)	.985 (25.0)	1.110 (28.2)	.157 (15.9)	.625 (15.9)	.512 (13.0)	.430 (10.9)	.251 (6.37)	BLACK

THIS DRAWING IS A CONTROLLED DOCUMENT FOR TYCO ELECTRONICS CORPORATION. IT IS SUBJECT TO CHANGE AND THE CONTROLLING ENGINEERING ORGANIZATION SHOULD BE CONTACTED FOR THE LATEST REVISION.

DIMENSIONS: INCHES [mm]	TOLERANCES UNLESS OTHERWISE SPECIFIED:	DWN M. BINNER 17NOV2008	Tyco Electronics Harrisburg, PA 17105-3608
	0 PLC ±. 1 PLC ±. 2 PLC ±. 3 PLC ±.015 4 PLC ±. ANGLES ±3°	CHK M. WILBOURN 17NOV2008	
		APVD M. WILBOURN 17NOV2008	
MATERIAL	FINISH	PRODUCT SPEC -	
 	-	APPLICATION SPEC -	SIZE A3
		WEIGHT -	CAGE CODE 00779
		CUSTOMER DRAWING	DRAWING NO C-1-1437621-8
			RESTRICTED TO -
			SCALE 2.000
			SHEET 1 OF 1
			REV A