

THIS DRAWING IS UNPUBLISHED.

RELEASED FOR PUBLICATION AUGUST ,2006.

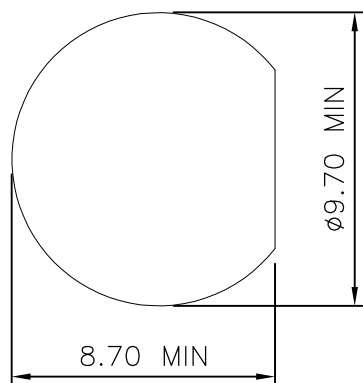
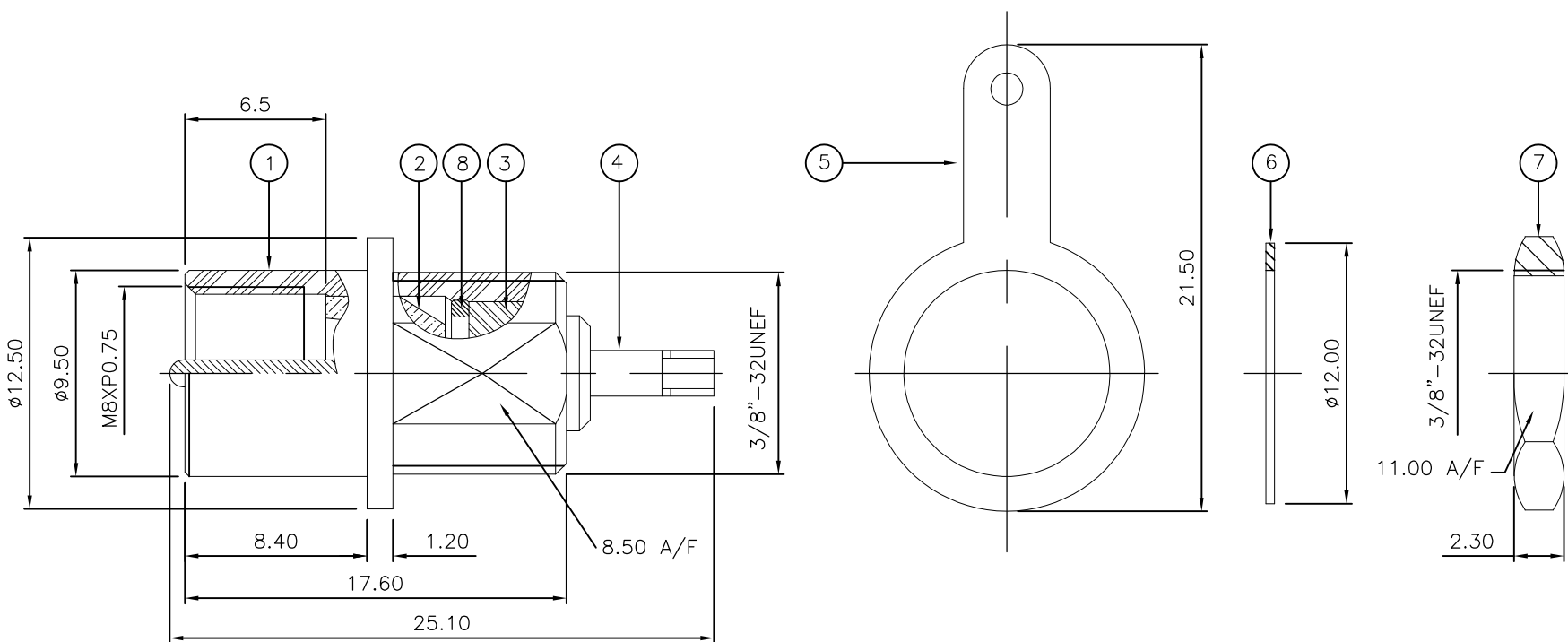
© COPYRIGHT 2006 By -

ALL RIGHTS RESERVED.

LOC E	DIST B	REVISIONS			
P	LTR	DESCRIPTION	DATE	DWN	APVD
	D	REVISED PER ECO-12-019856	12NOV12	RZ	MY


NOTES:

- 1 PACK IN ACCORDANCE WITH AMP SPEC 107-3275
- 2 100 TRAY PACK IN ACCORDANCE WITH AMP SPEC 107-3275
- 3 Au PLATING
- 4 Ni PLATING
- 5 ELECTRICAL CHARACTERISTICS  
 FREQUENCY RANGE: DC - 1.8 GHz  
 NOMINAL IMPEDANCE: 50 Ohm  
 INSULATION RESISTANCE: 5000 MOhm  
 WORKING VOLTAGE: 335 Volts RMS Max Sea Level  
 DIELECTRIC WITHSTAND VOLTAGE: 1000 Volts RMS Max  
 CONTACT RESISTANCE:  
 CENTRE CONTACT: 3 mOhm Max  
 OUTER CONTACT: 5 mOhm Max  
 VSWR @ 1.8GHz: 1.5 Max  
 INSERTION LOSS dB @ x 1.8 GHz: 0.5dB Max
- 6 MECHANICAL CHARACTERISTICS  
 DURABILITY: 500 Cycles Min
- 7 ENVIRONMENTAL CHARACTERISTICS  
 OPERATING TEMPERATURE: -40 to +60 DegC
- 8 FOR TECHNICAL DATA REFER TO YOUR LOCAL  
 TE CONNECTIVITY SALES OFFICE
- 9 ALL DIMENSIONS ARE NOMINAL FOR REFERENCE  
 ONLY UNLESS OTHERWISE STATED



RECOMMENDED MOUNTING HOLE

QTY	DESCRIPTION	MATERIAL	DESCRIPTION	ITEM
1	WASHER	BRASS		8
1	HEX. NUT	BRASS		7
1	WASHER	BRASS		6
1	SOLDER TAG	BRASS		5
1	CONTACT	BRASS		4
1	INSULATION	POM		3
1	INSULATION	POM		2
1	BODY	BRASS		1
6--0		MATERIAL	DESCRIPTION	ITEM

THIS DRAWING IS A CONTROLLED DOCUMENT.		DWN J.SANDWELL 31AUG06	 <b>TE Connectivity</b> NAME <b>FME BULKHEAD PLUG 50 OHM</b>											
DIMENSIONS: mm		CHK S.PARLOW 31AUG06												
TOLERANCES UNLESS OTHERWISE SPECIFIED:		APVD F.WHEELER-KING 31AUG06												
<table border="1"> <tr><td>0 PLC</td><td>± -</td></tr> <tr><td>1 PLC</td><td>± -</td></tr> <tr><td>2 PLC</td><td>± -</td></tr> <tr><td>3 PLC</td><td>± -</td></tr> <tr><td>4 PLC</td><td>± -</td></tr> <tr><td>ANGLES</td><td>± -</td></tr> </table>		0 PLC				± -	1 PLC	± -	2 PLC	± -	3 PLC	± -	4 PLC	± -
0 PLC	± -													
1 PLC	± -													
2 PLC	± -													
3 PLC	± -													
4 PLC	± -													
ANGLES	± -													
MATERIAL SEE TABLE	FINISH -	APPLICATION SPEC	SIZE A3	CAGE CODE 00779	DRAWING NO C-1337554	RESTRICTED TO								
CUSTOMER DRAWING			SCALE NTS	SHEET 1 OF 1	REV D									