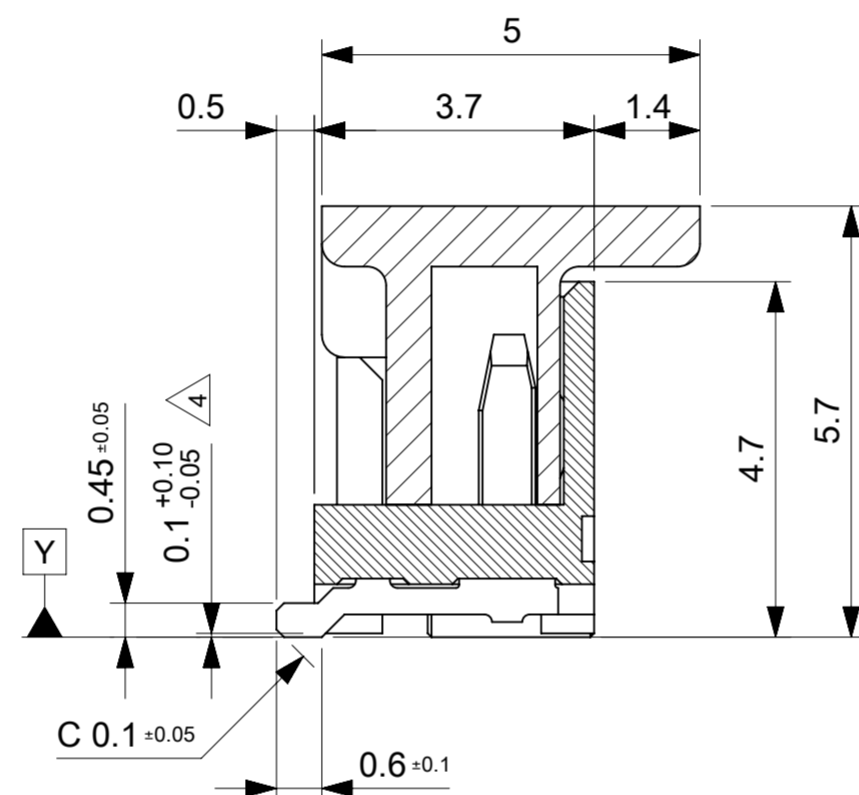
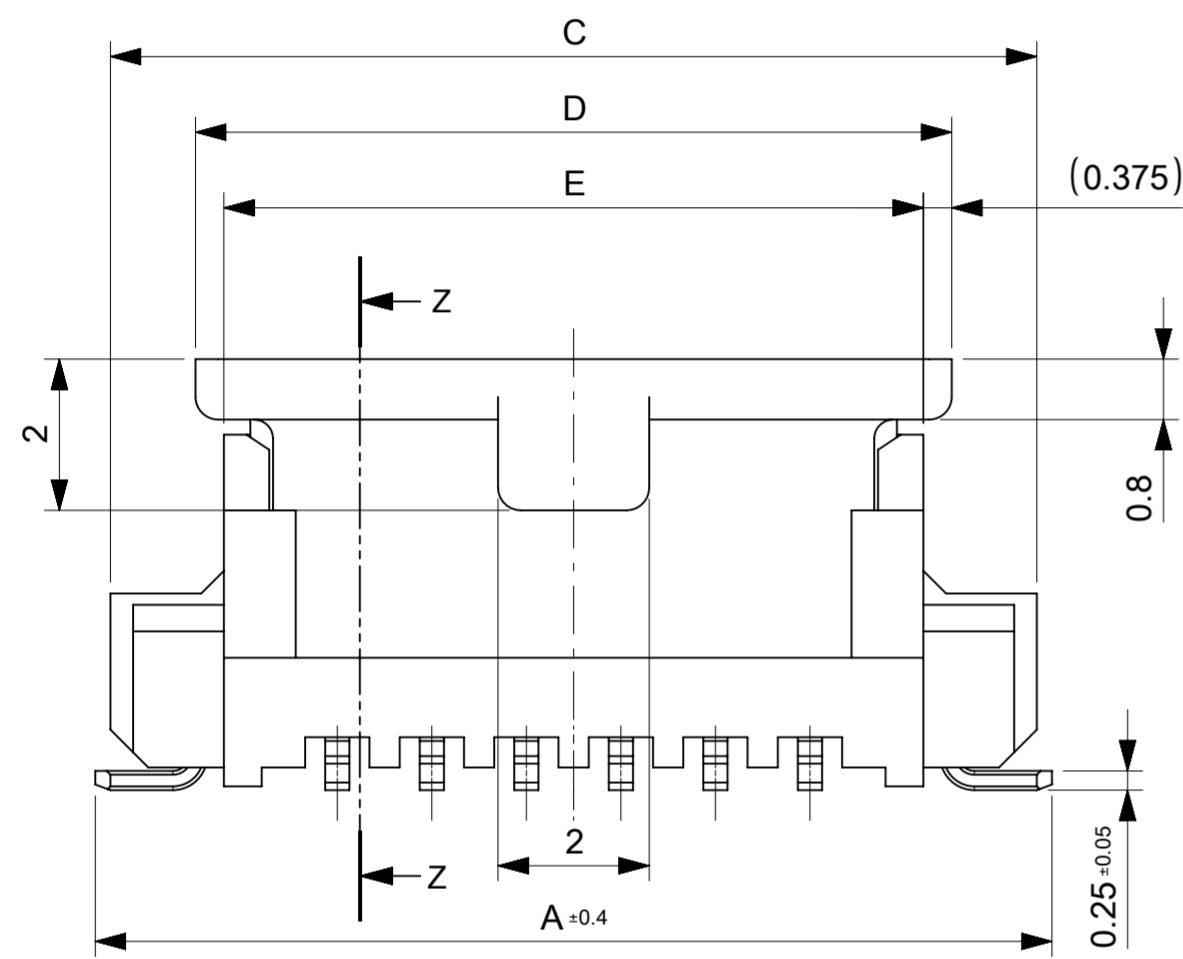
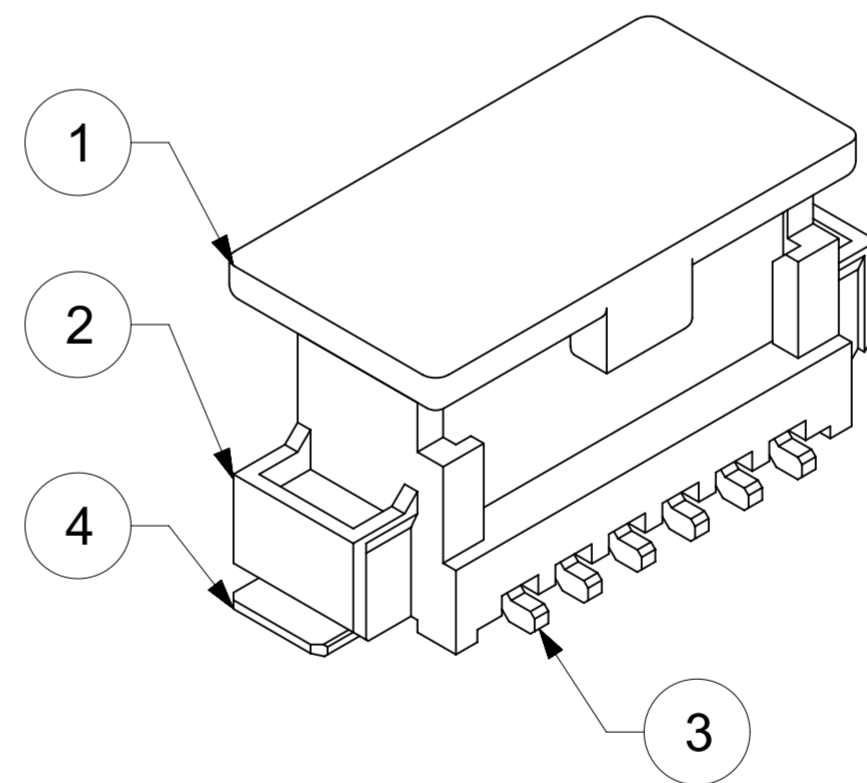


NOTES

- ① 材料および仕上げ (めっき仕様) : TABLE 1参照
MATERIAL AND FINISHES : SEE TABLE 1
- ② 適用製品及び各種仕様書はSHEET 4を参照のこと
REFER TO SHEET 4 ABOUT APPLICABLE PRODUCTS AND VARIOUS SPECIFICATIONS
- 3. 梱包形態 : SHEET 3 参照
PACKAGING INFORMATION : SEE SHEET 3
- ④ 水平面上においてのハウジング底面 Y とソルダーテール及びネイル底面とのズレ量を示す。
MISALIGNMENT OF SOLDER TAIL AND NAIL FROM Y
- 5. 端子テール部およびネイルの平坦度は0.1以下
COPLANARITY OF TAIL AND NAIL TO BE 0.1 MAX.
- ⑥ ロックの数は、2,3極は1ロック、4極以上は2ロック。
LOCKING WINDOW: ONE PLACE FOR 2 AND 3 CIRCUIT, AND TWO PLACES FOR MORE THAN 4 CIRCUIT.
- 7. 本製品は錫めっき品です。金めっき品は533980002-SDをご参照ください
THIS PRODUCT IS TIN PLATING TYPE.
PLEASE REFER TO 533980002-SD FOR GOLD PLATING TYPE



SECTION Z-Z



| | | | | | | | |
|-------|-------|-------|-------|-------|-------|-------|--------------------|
| 18.6 | 19.3 | 20.5 | 21.25 | 23.5 | 17.5 | 23.9 | 15 |
| 17.35 | 18.05 | 19.25 | 20 | 22.25 | 16.25 | 22.65 | 14 |
| 16.1 | 16.8 | 18 | 18.75 | 21 | 15 | 21.4 | 13 |
| 14.85 | 15.55 | 16.75 | 17.5 | 19.75 | 13.75 | 20.15 | 12 |
| 13.6 | 14.3 | 15.5 | 16.25 | 18.5 | 12.5 | 18.9 | 11 |
| 12.35 | 13.05 | 14.25 | 15 | 17.25 | 11.25 | 17.65 | 10 |
| 11.1 | 11.8 | 13 | 13.75 | 16 | 10 | 16.4 | 9 |
| 9.85 | 10.55 | 11.75 | 12.5 | 14.75 | 8.75 | 15.15 | 8 |
| 8.6 | 9.3 | 10.5 | 11.25 | 13.5 | 7.5 | 13.9 | 7 |
| 7.35 | 8.05 | 9.25 | 10 | 12.25 | 6.25 | 12.65 | 6 |
| 6.1 | 6.8 | 8 | 8.75 | 11 | 5 | 11.4 | 5 |
| 4.85 | 5.55 | 6.75 | 7.5 | 9.75 | 3.75 | 10.15 | 4 |
| 3.6 | 4.3 | 5.5 | 6.25 | 8.5 | 2.5 | 8.9 | 3 |
| 2.35 | 3.05 | 4.25 | 5 | 7.25 | 1.25 | 7.65 | 2 |
| G | F | E | D | C | B | A | 極数 CIRCUIT SIZE |

① TABLE 1

| 番号 NO. | 部品 PART | 材質 MATERIAL | |
|-----------|----------------------|---|--|
| ① | 吸着キャップ VACUUM CAP | ポリアミド(PA), UL94V-0, GLASS-FILLED, 色: ナチュラル(ベージュ) POLYAMIDE(PA), UL94V-0, GLASS-FILLED, COLOR: NATURAL(BEIGE) | |
| ② | ハウジング HOUSING | ポリアミド(PA), UL94V-0, GLASS-FILLED, 色: ナチュラル(ベージュ) POLYAMIDE(PA), UL94V-0, GLASS-FILLED, COLOR: NATURAL(BEIGE) | |
| ③ | ターミナル TERMINAL | 母材 MATERIAL | りん青銅 PHOSPHOR BRONZE |
| | | コンタクト部 CONTACT AREA | 無光沢錫めっき 1.0 MICROMETER MINIMUM |
| | | テール部 TAIL AREA | MATTE TIN PLATING 1.0 MICROMETER MINIMUM |
| ④ | ネイル NAIL | 下地めっき UNDER PLATING | ニッケルめっき 1.0 MICROMETER MINIMUM NICKEL PLATING 1.0 MICROMETER MINIMUM |
| | | 母材 MATERIAL | りん青銅 PHOSPHOR BRONZE |
| | | テール部 TAIL AREA | 無光沢錫めっき 1.0 MICROMETER MINIMUM MATTE TIN PLATING 1.0 MICROMETER MINIMUM |
| | | 下地めっき UNDER PLATING | ニッケルめっき 1.0 MICROMETER MINIMUM NICKEL PLATING 1.0 MICROMETER MINIMUM |

THIS DRAWING CONTAINS INFORMATION THAT IS PROPRIETARY TO MOLEX ELECTRONIC TECHNOLOGIES, LLC AND SHOULD NOT BE USED WITHOUT WRITTEN PERMISSION

| | | | |
|--|------------------------|---------------------------|--------------|
| DIMENSION UNITS | SCALE | CURRENT REV DESC: REVISED | |
| mm | NTS | | |
| GENERAL TOLERANCES (UNLESS SPECIFIED) | | | |
| ANGULAR TOL | ± 3.0° | | |
| 4 PLACES | ± 0.2 | EC NO: 698818 | 2022/02/16 |
| 3 PLACES | ± 0.2 | DRWN: HHUSSIN | 2022/04/19 |
| 2 PLACES | ± 0.2 | CHK'D: SAKIYAMA | 2022/04/19 |
| 1 PLACE | ± 0.2 | APPR: AIDA | 2022/04/19 |
| 0 PLACES | ± 0.2 | INITIAL REVISION: | |
| | | DRWN: SOBARA01 | 2019/04/10 |
| | | APPR: SAKIYAMA | 2019/04/25 |
| DRAFT WHERE APPLICABLE MUST REMAIN WITHIN DIMENSIONS | THIRD ANGLE PROJECTION | DRAWING | SERIES |
| | | A2-SIZE | 53398 |
| MATERIAL NUMBER | | CUSTOMER | SHEET NUMBER |
| SEE CHART | | GENERAL | 1 OF 4 |

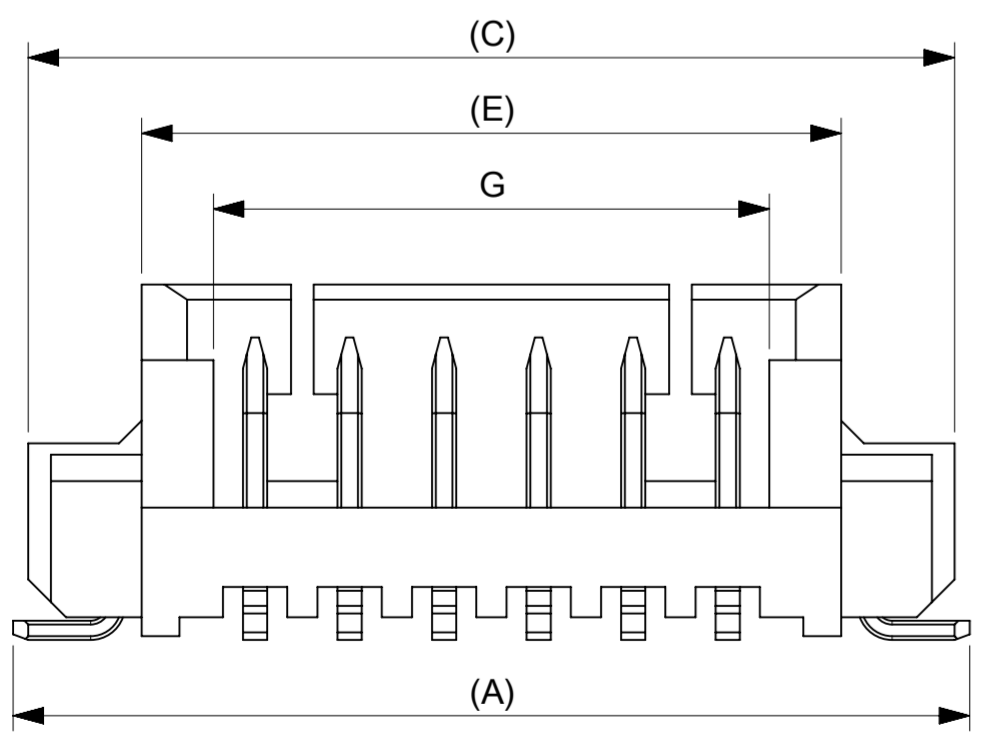
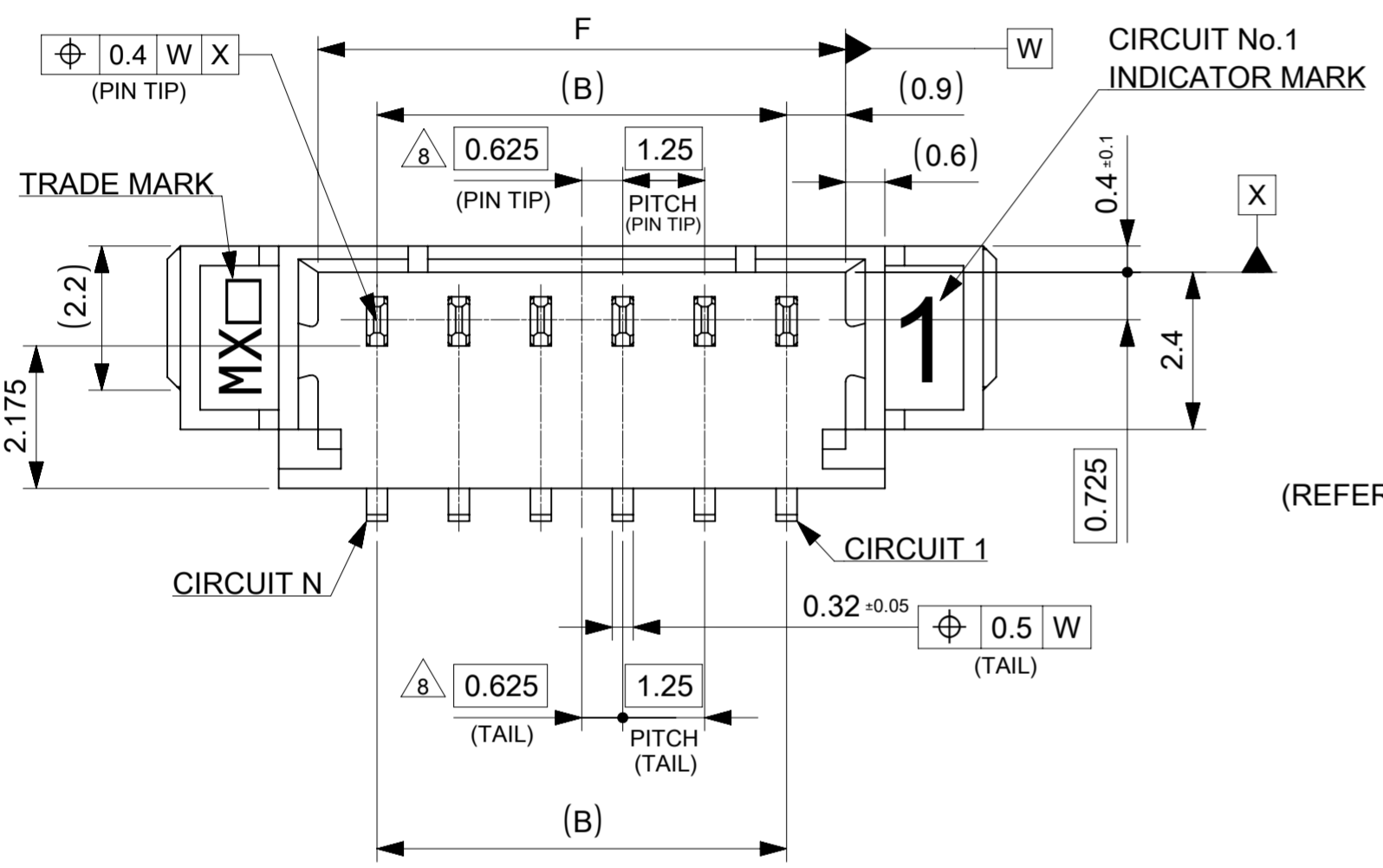
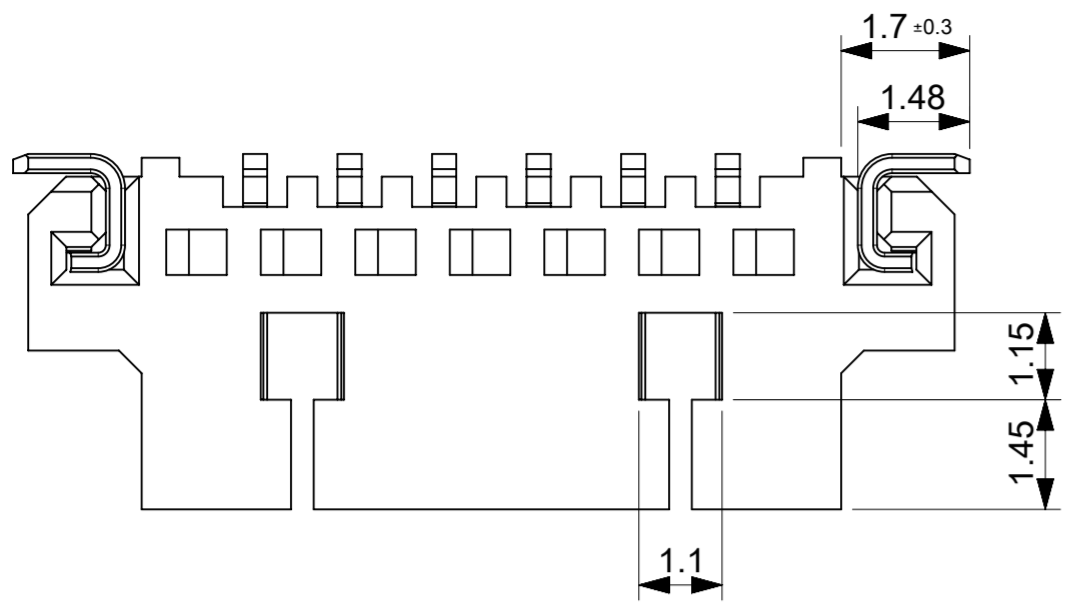
molex

PICOBLADE 1.25
SMT VERTICAL TYPE WITH VACUUM CAP

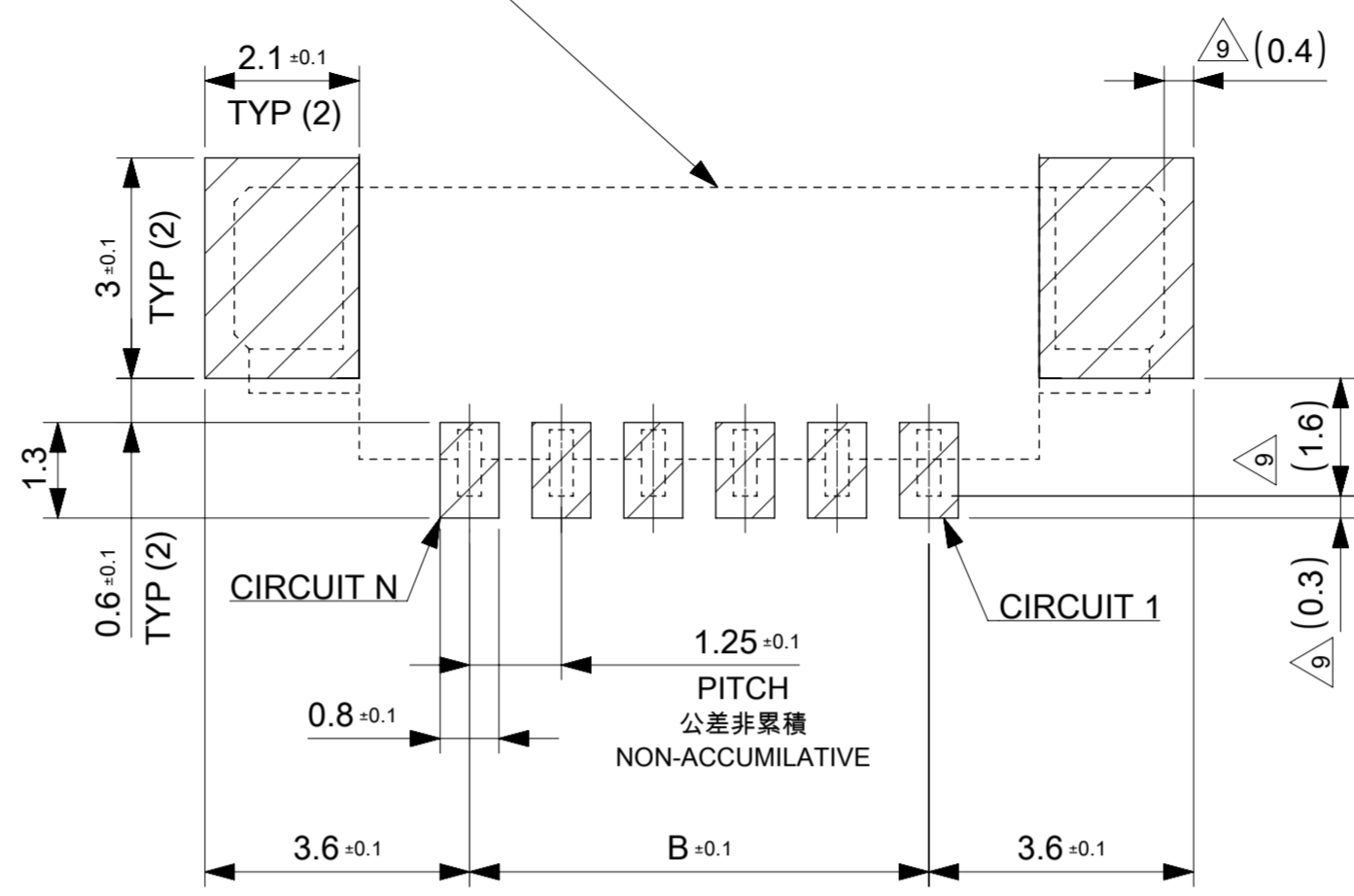
PRODUCT CUSTOMER DRAWING

| | | | |
|-----------------|----------|----------|----------|
| DOCUMENT NUMBER | DOC TYPE | DOC PART | REVISION |
| 533980001-SD | PSD | 000 | C |

キャップを外した状態
WITHOUT CAP



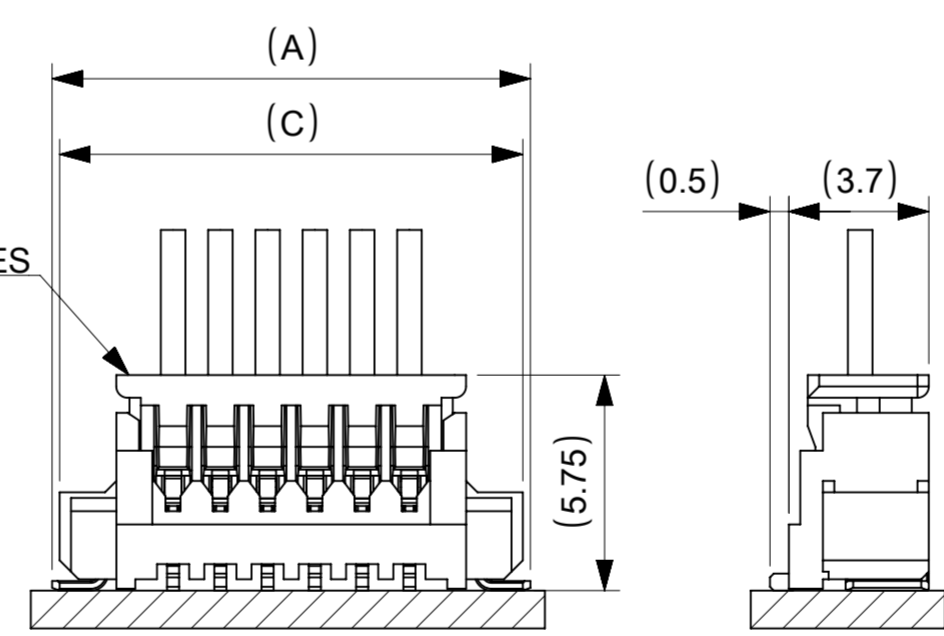
製品輪郭線 (キャップ除く)
CONNECTOR OUTLINE (WITHOUT CAP)



推奨基板レイアウト
RECOMMENDED PCB PATTERN

(参考: 基板厚 1.0 MILLIMETER, メタルマスク厚さ: 0.15 MILLIMETER, マスク開口率: 100%)
(REFERENCE: PCB THICKNESS 1.0 MILLIMETER, STENCIL THICKNESS: 0.15 MILLIMETER, APERTURE: 100%)

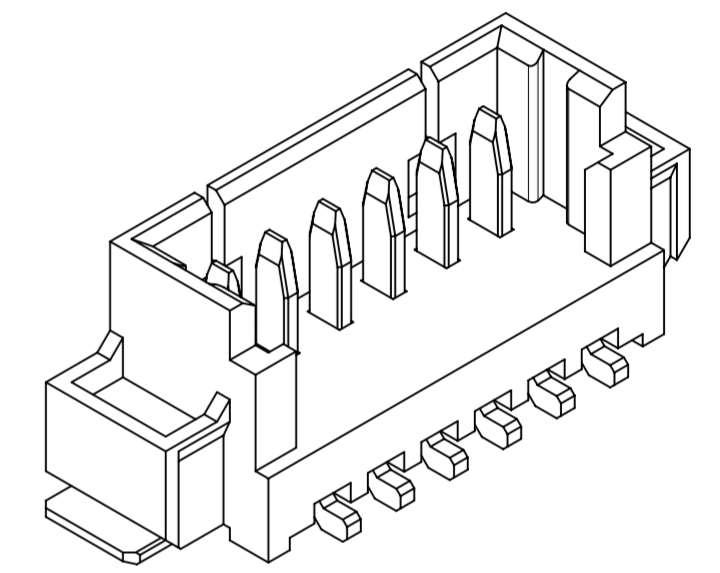
嵌合相手: 51021 シリーズ
MATE WITH: 51021 SERIES



嵌合図
MATED CONNECTORS

NOTES

- △8 偶数極のみに適用
APPLY TO EVEN CIRCUIT PRODUCTS.
- △9 製品輪郭線からパッドまでの寸法を示す。
DIMENSIONS FROM CONNECTOR OUTLINE TO PAD
- △10 製品の基板実装部以外の金属露出部と基板パターンとの干渉、および製品と基板上の突起物との干渉が生じないようにご配慮をお願いいたします。
PLEASE TAKE CARE NOT TO CAUSE INTERFERENCE BETWEEN EXPOSED METAL PARTS EXCLUDING MOUNTING PORTION OF PRODUCT AND PWB PATTERN, AND INTERFERENCE BETWEEN PRODUCT AND PROTRUSIONS ON PWB.



| | | | | | | | |
|-------|-------|-------|-------|-------|-------|-------|--------------------|
| 18.6 | 19.3 | 20.5 | 21.25 | 23.5 | 17.5 | 23.9 | 15 |
| 17.35 | 18.05 | 19.25 | 20 | 22.25 | 16.25 | 22.65 | 14 |
| 16.1 | 16.8 | 18 | 18.75 | 21 | 15 | 21.4 | 13 |
| 14.85 | 15.55 | 16.75 | 17.5 | 19.75 | 13.75 | 20.15 | 12 |
| 13.6 | 14.3 | 15.5 | 16.25 | 18.5 | 12.5 | 18.9 | 11 |
| 12.35 | 13.05 | 14.25 | 15 | 17.25 | 11.25 | 17.65 | 10 |
| 11.1 | 11.8 | 13 | 13.75 | 16 | 10 | 16.4 | 9 |
| 9.85 | 10.55 | 11.75 | 12.5 | 14.75 | 8.75 | 15.15 | 8 |
| 8.6 | 9.3 | 10.5 | 11.25 | 13.5 | 7.5 | 13.9 | 7 |
| 7.35 | 8.05 | 9.25 | 10 | 12.25 | 6.25 | 12.65 | 6 |
| 6.1 | 6.8 | 8 | 8.75 | 11 | 5 | 11.4 | 5 |
| 4.85 | 5.55 | 6.75 | 7.5 | 9.75 | 3.75 | 10.15 | 4 |
| 3.6 | 4.3 | 5.5 | 6.25 | 8.5 | 2.5 | 8.9 | 3 |
| 2.35 | 3.05 | 4.25 | 5 | 7.25 | 1.25 | 7.65 | 2 |
| G | F | E | D | C | B | A | 極数 CIRCUIT SIZE |

THIS DRAWING CONTAINS INFORMATION THAT IS PROPRIETARY TO MOLEX ELECTRONIC TECHNOLOGIES, LLC AND SHOULD NOT BE USED WITHOUT WRITTEN PERMISSION

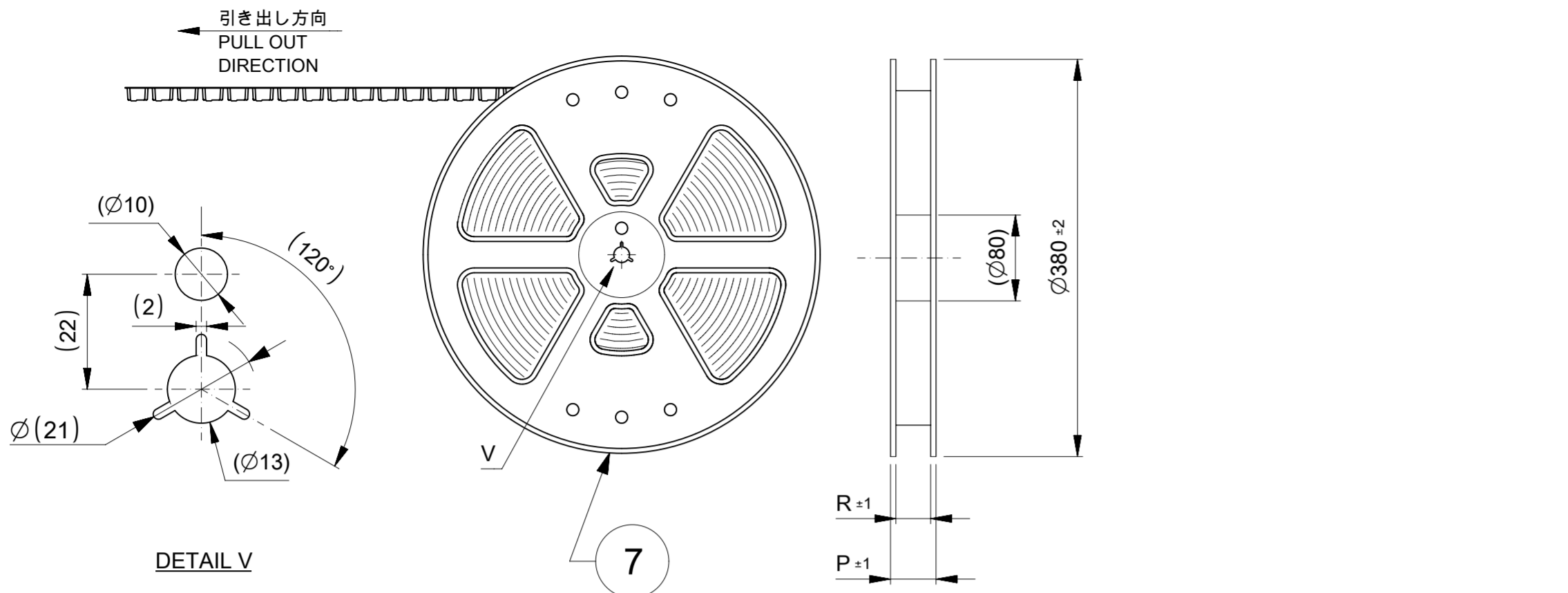
| | | | |
|--|--------|---------------------------|--------------|
| DIMENSION UNITS | SCALE | CURRENT REV DESC: REVISED | |
| mm | NTS | | |
| GENERAL TOLERANCES (UNLESS SPECIFIED) | | | |
| ANGULAR TOL | ± 3.0° | EC NO: 698818 | |
| 4 PLACES | ± 0.2 | DRWN: HHUSSIN | 2022/02/16 |
| 3 PLACES | ± 0.2 | CHK'D: SAKIYAMA | 2022/04/19 |
| 2 PLACES | ± 0.2 | APPR: AIDA | 2022/04/19 |
| 1 PLACE | ± 0.2 | INITIAL REVISION: | |
| 0 PLACES | ± 0.2 | DRWN: SOBARA01 | 2019/04/10 |
| DRAFT WHERE APPLICABLE MUST REMAIN WITHIN DIMENSIONS | | APPR: SAKIYAMA | 2019/04/25 |
| THIRD ANGLE PROJECTION | | DRAWING | SERIES |
| A2-SIZE | | 53398 | |
| MATERIAL NUMBER | | CUSTOMER | SHEET NUMBER |
| SEE CHART | | GENERAL | 2 OF 4 |

molex

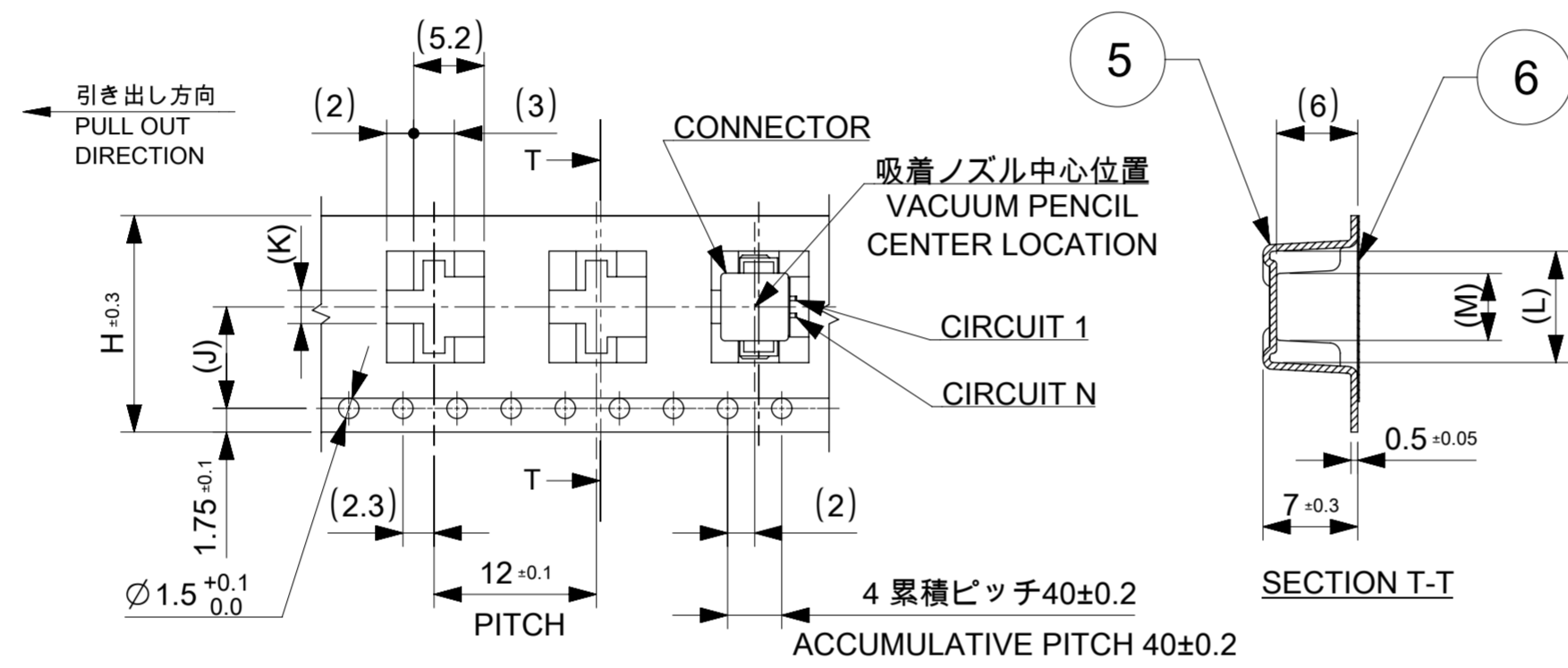
PICOBLADE 1.25
SMT VERTICAL TYPE WITH VACUUM CAP

PRODUCT CUSTOMER DRAWING

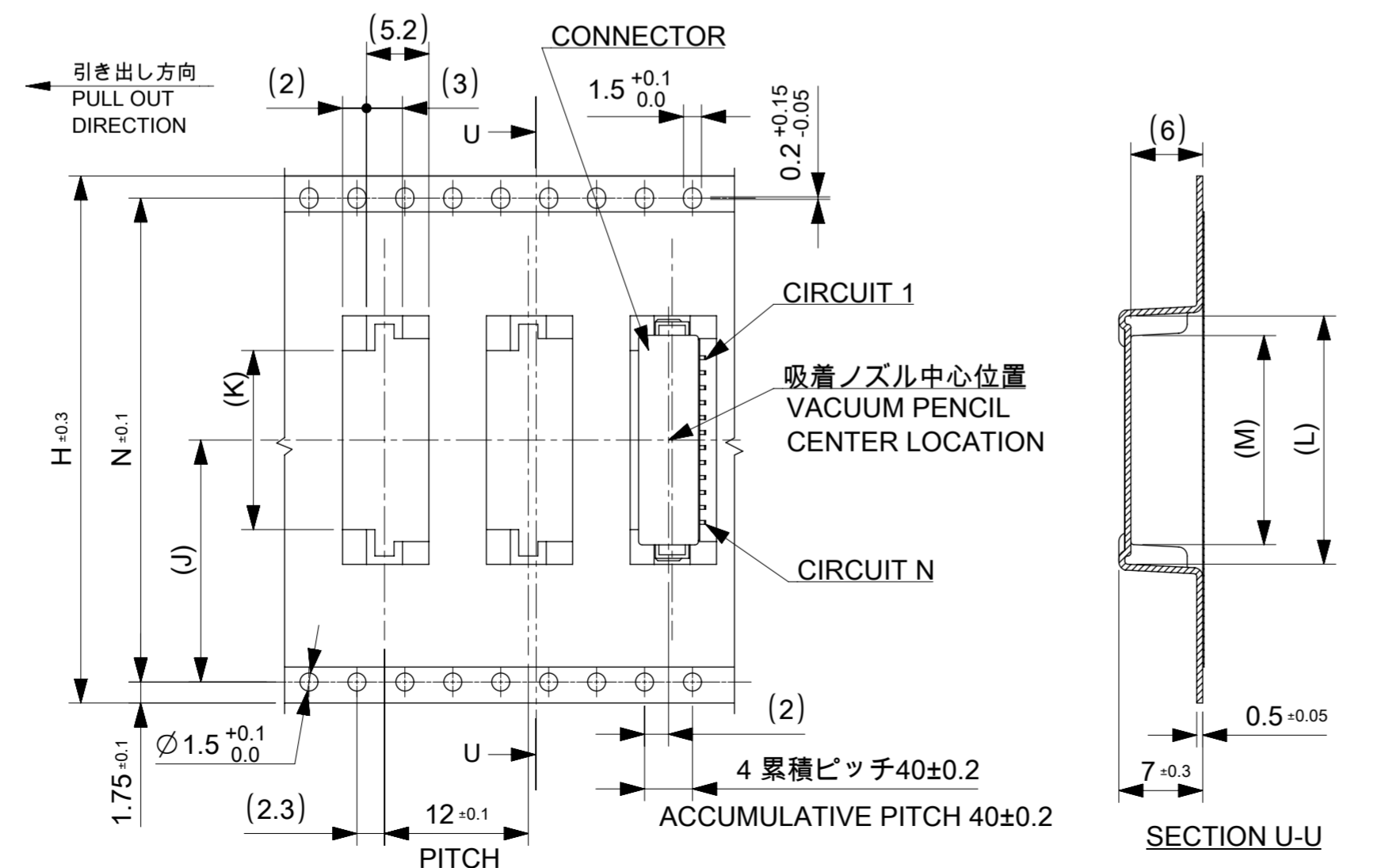
| | | | |
|-----------------|----------|----------|----------|
| DOCUMENT NUMBER | DOC TYPE | DOC PART | REVISION |
| 533980001-SD | PSD | 000 | C |



DETAIL V



16mm幅(2極用) および24mm幅(3~8極用)キャリアテープ
16mm (FOR 2 CIRCUIT) OR 24mm (FOR 3-8 CIRCUIT) WIDTH CARRIER TAPE



32mm幅(9~11極用) および44mm幅(12~15極用)キャリアテープ
32mm (FOR 9-11 CIRCUIT) OR 44mm (FOR 12-15 CIRCUIT) WIDTH CARRIER TAPE

NOTES

- 梱包数量 : 1000個/リール
NUMBER OF CONNECTOR : 1000PCS / REEL
 - リードテープ長さ
LEAD TAPE LENGTH
-
- 材料 : TABLE 2 参照
MATERIAL : REFER TO TABLE 2
 - トップテープの剥離強度はIEC60286-3に準拠
TOP TAPE PELING FORCE IS DEFINED BY IEC60286-3.
 - 本製品は乾燥剤入り、ハイバリア梱包仕様による納品となります。
THIS PRODUCT IS DELIVERED IN A HIGH BARRIER PACKAGE WITH DESICCANT.
 - 梱包仕様書 : SPK-53398-002
PACKAGING SPECIFICATION : SPK-53398-002

TABLE 2

| 番号 NO. | 部品 PART | 材質 MATERIAL |
|-----------|-------------------------|--|
| ⑤ | キャリアテープ CARRIER TAPE | ポリプロピレン(PP) POLYPROPYLENE(PP) |
| ⑥ | トップテープ TOP TAPE | ポリエチレン (PE)、その他 POLYETHYLENE (PE), ETC |
| ⑦ | リール REEL | ポリスチレン(PS) <リサイクル材を含む> POLYSTYRENE(PS) < RECYCLE MATERIAL CONTAINED > |

17 発注番号
ORDER NUMBER
53398**67

極数
CIRCUIT

| | |
|------------------------------------|---------|
| 533981567 | 15 |
| 533981467 | 14 |
| 533981367 | 13 |
| 533981267 | 12 |
| 533981167 | 11 |
| 533981067 | 10 |
| 533980967 | 9 |
| 533980867 | 8 |
| 533980767 | 7 |
| 533980667 | 6 |
| 533980567 | 5 |
| 533980467 | 4 |
| 533980367 | 3 |
| 533980267 | 2 |
| 発注番号 ORDER NO. | 極数 |
| PACKAGING : EMBOSSED TAPE AND REEL | CIRCUIT |

THIS DRAWING CONTAINS INFORMATION THAT IS PROPRIETARY TO MOLEX ELECTRONIC TECHNOLOGIES, LLC AND SHOULD NOT BE USED WITHOUT WRITTEN PERMISSION

| DIMENSION UNITS | SCALE | CURRENT REV | DESC | REVISED |
|-----------------|-------|-------------|------|---------|
| mm | NTS | | | |

GENERAL TOLERANCES (UNLESS SPECIFIED)

| | |
|-------------|--------|
| ANGULAR TOL | ± 3.0° |
| 4 PLACES | ± 0.2 |
| 3 PLACES | ± 0.2 |
| 2 PLACES | ± 0.2 |
| 1 PLACE | ± 0.2 |
| 0 PLACES | ± 0.2 |

EC NO: 698818
DRWN: HHUSSIN 2022/02/16
CHK'D: SAKIYAMA 2022/04/19
APPR: AIDA 2022/04/19

INITIAL REVISION:
DRWN: SOBARA01 2019/04/10
APPR: SAKIYAMA 2019/04/25

molex

PICOBLADE 1.25
SMT VERTICAL TYPE WITH VACUUM CAP

PRODUCT CUSTOMER DRAWING

| DOCUMENT NUMBER | DOC TYPE | DOC PART | REVISION |
|-----------------|----------|----------|----------|
| 533980001-SD | PSD | 000 | C |

| DRAFT WHERE APPLICABLE MUST REMAIN WITHIN DIMENSIONS | THIRD ANGLE PROJECTION | DRAWING | SERIES | MATERIAL NUMBER | CUSTOMER | SHEET NUMBER |
|--|------------------------|---------|--------|-----------------|----------|--------------|
| | | A2-SIZE | 53398 | SEE CHART | GENERAL | 3 OF 4 |

△ 適合製品および各種仕様書
APPLICABLE PRODUCTS AND SPECIFICATIONS

| | | | | | |
|--|-----------------|--------------------------|-----------|---------------------------------------|-----------|
| 梱包仕様書 PACKING SPECIFICATION | | PART NUMBER 53398**67 | | SPECIFICATION NUMBER SPK-53398-002 | |
| 適合ハウジング APPLICABLE HOUSING | | PART NUMBER 51021**00 | | | |
| 適合圧着端子 APPLICABLE TERMINAL | PLATING | TIN | | | |
| | PART NUMBER | 500798*00 | 500588*00 | 500798001 | 500588001 |
| | WIRE SIZE (AWG) | #26-28 | #28-32 | #26-28 | #28-32 |
| 製品仕様書 PRODUCT SPECIFICATION | | PS-51021-025 PS 001 | | 510211124-PS PS 000 | |
| アプリケーション仕様書 (取扱説明書) APPLICATION SPECIFICATION | | 510210000-AS PS 000 | | | |

| | | | | | | | | | | |
|---|--------|----------------------------|--|---------|---|-----------------|----------|--------------|-----|---|
| THIS DRAWING CONTAINS INFORMATION THAT IS PROPRIETARY TO MOLEX ELECTRONIC TECHNOLOGIES, LLC AND SHOULD NOT BE USED WITHOUT WRITTEN PERMISSION | | | | | | | | | | |
| DIMENSION UNITS | SCALE | CURRENT REV DESC: REVISED | | | molex | | | | | |
| mm | NTS | | | | | | | | | |
| GENERAL TOLERANCES (UNLESS SPECIFIED) | | | | | PICOBLADE 1.25 SMT VERTICAL TYPE WITH VACUUM CAP | | | | | |
| ANGULAR TOL | ± 3.0° | EC NO: 698818 | | | PRODUCT CUSTOMER DRAWING | | | | | |
| 4 PLACES | ± 0.2 | DRWN: HHUSSIN 2022/02/16 | | | | | | | | |
| 3 PLACES | ± 0.2 | CHK'D: SAKIYAMA 2022/04/19 | | | | | | | | |
| 2 PLACES | ± 0.2 | APPR: AIDA 2022/04/19 | | | | | | | | |
| 1 PLACE | ± 0.2 | INITIAL REVISION: | | | DOCUMENT NUMBER | | | | | |
| 0 PLACES | ± 0.2 | DRWN: SOBARA01 2019/04/10 | | | 533980001-SD | | | PSD | 000 | C |
| DRAFT WHERE APPLICABLE MUST REMAIN WITHIN DIMENSIONS | | THIRD ANGLE PROJECTION | | DRAWING | SERIES | MATERIAL NUMBER | CUSTOMER | SHEET NUMBER | | |
| | | | | A2-SIZE | 53398 | SEE CHART | GENERAL | 4 OF 4 | | |