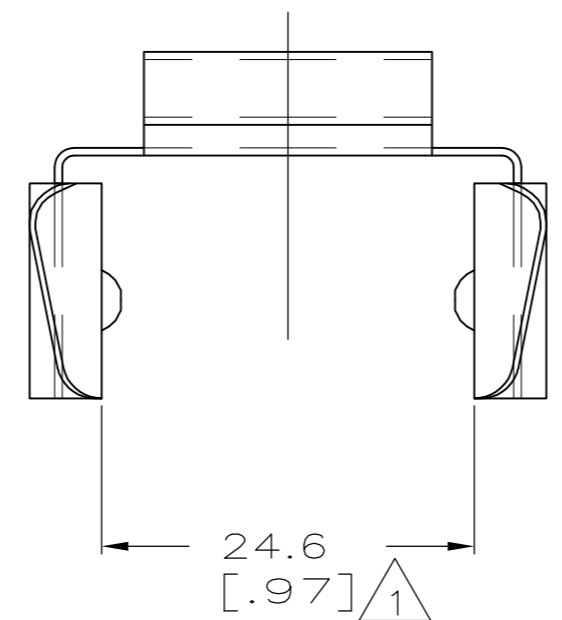
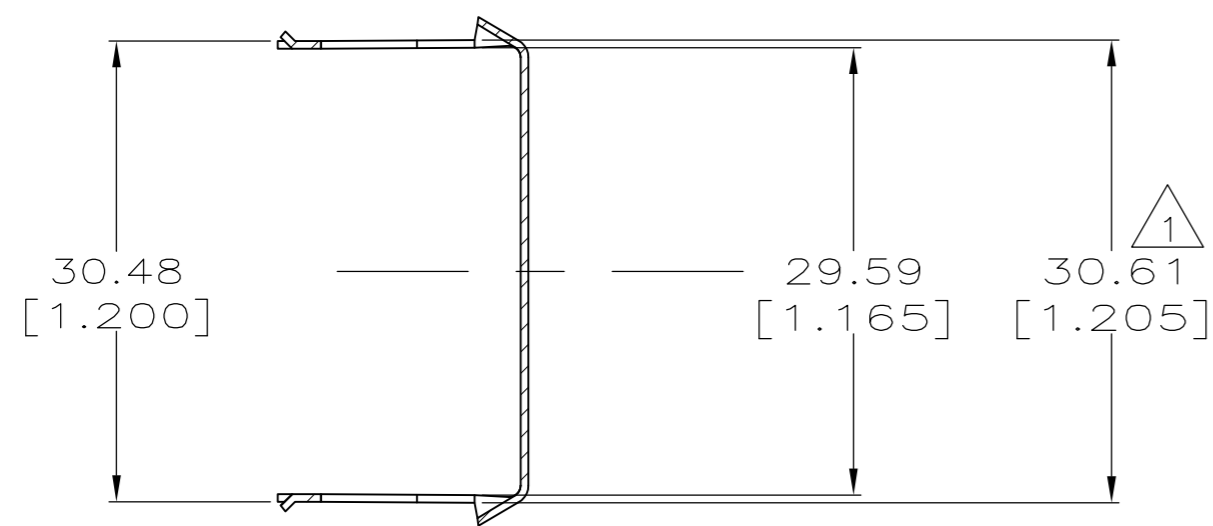
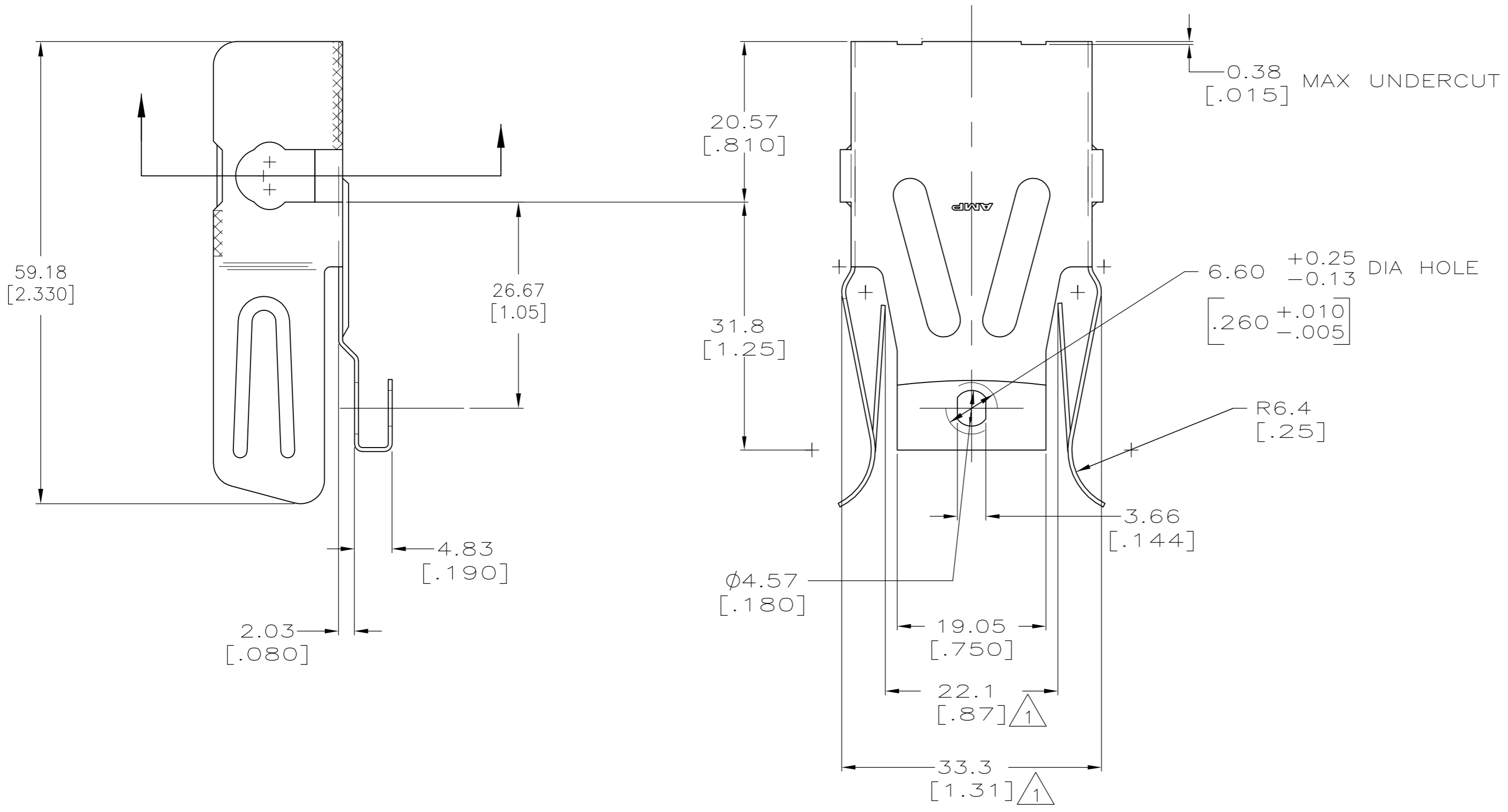


THIS DRAWING IS UNPUBLISHED. RELEASED FOR PUBLICATION
 © COPYRIGHT BY TYCO ELECTRONICS CORPORATION. ALL RIGHTS RESERVED.

LOC		DIST		REVISIONS			
P	LTR	DESCRIPTION		DATE	DWN	APVD	
AF	50	F1	REVISED PER ECR-08-006534	04APR08	HMR	GJ	

1 DIMENSION TO BE CHECKED WHEN SIDES ARE PARRALLEL WITH [1.215] DIM.



1217841-1
PART NO.

THIS DRAWING IS A CONTROLLED DOCUMENT.		DWN MICHAEL S. FEHER 06JUN2002	Tyco Electronics Corporation Harrisburg, PA 17105-3608	
DIMENSIONS: mm		CHK DONALD DECKER 06JUN2002	NAME CLIP, CONNECTOR, HEAVY DUTY BURNER	
TOLERANCES UNLESS OTHERWISE SPECIFIED: 0 PLC ± - 1 PLC ± - 2 PLC ± 0.8 [.03] 3 PLC ± 0.25 [.010] 4 PLC ± - ANGLES ± -		APVD DONALD DECKER 06JUN2002	PRODUCT SPEC -	RESTRICTED TO -
MATERIAL 1/4 HARD STAINLESS		FINISH -	APPLICATION SPEC 114-1028	SIZE A2
		WEIGHT -	CAGE CODE 00779	DRAWING NO 1217841
		CUSTOMER DRAWING	SCALE 2:1	SHEET 1 of 1
			REV F1	