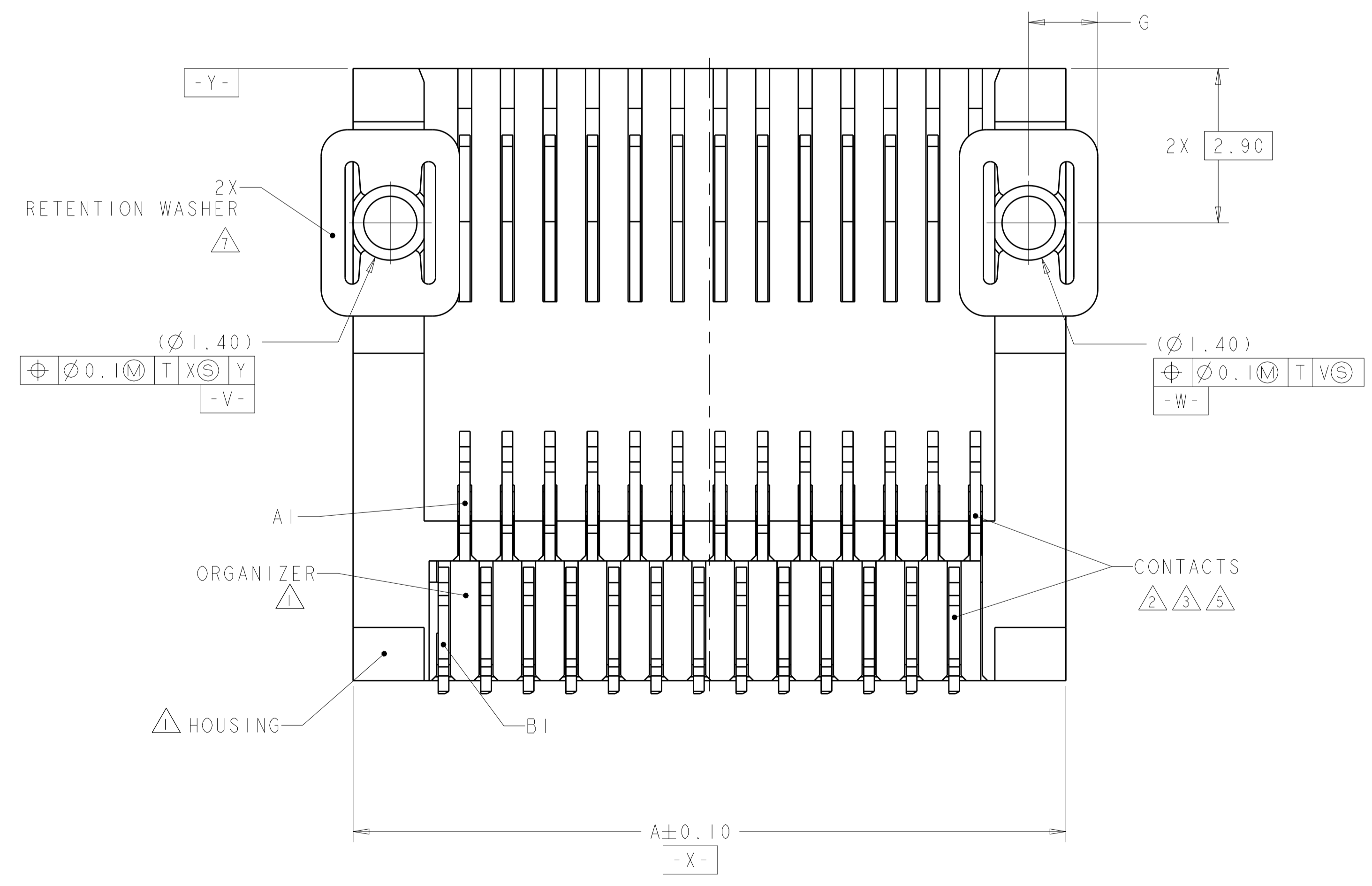
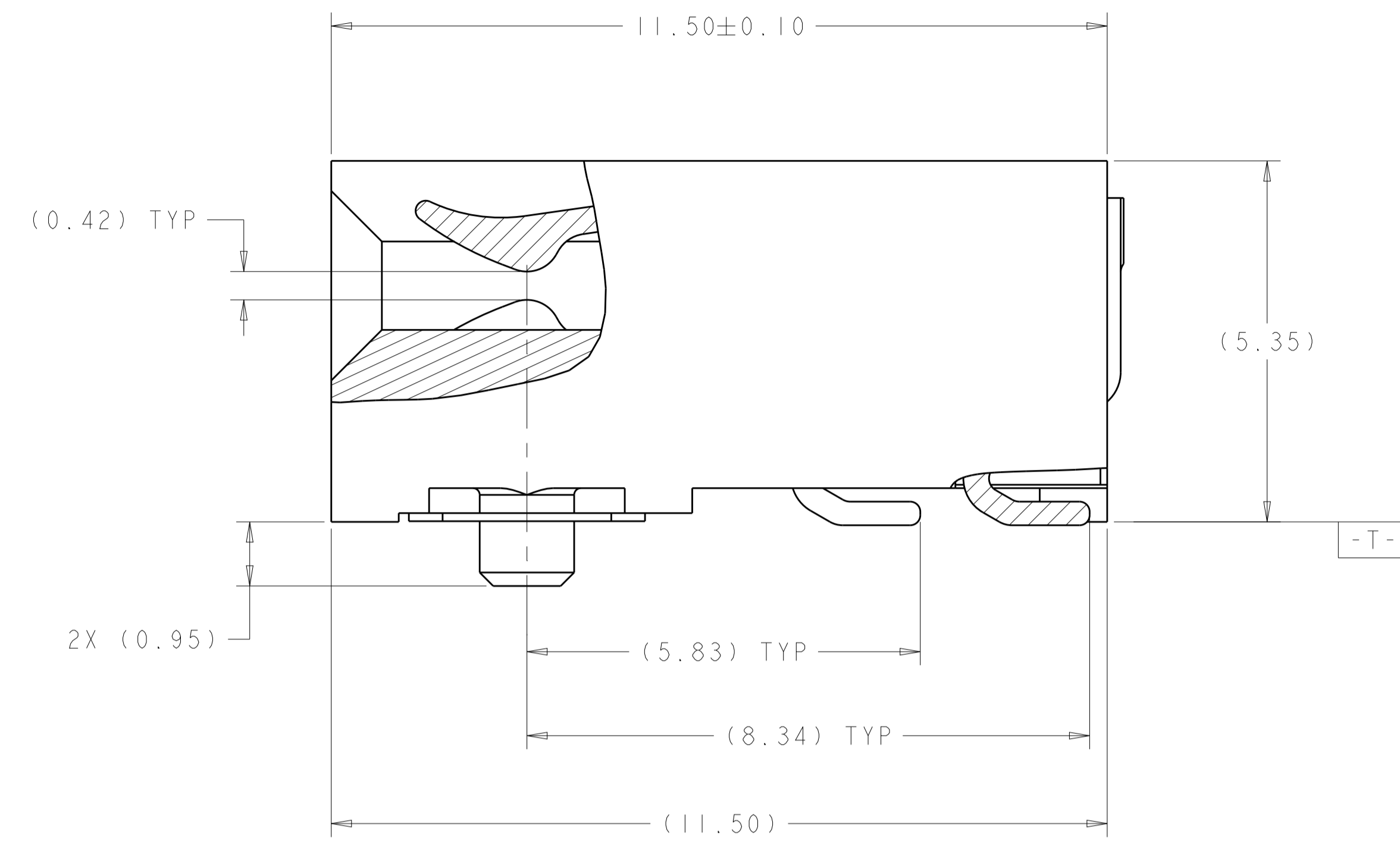
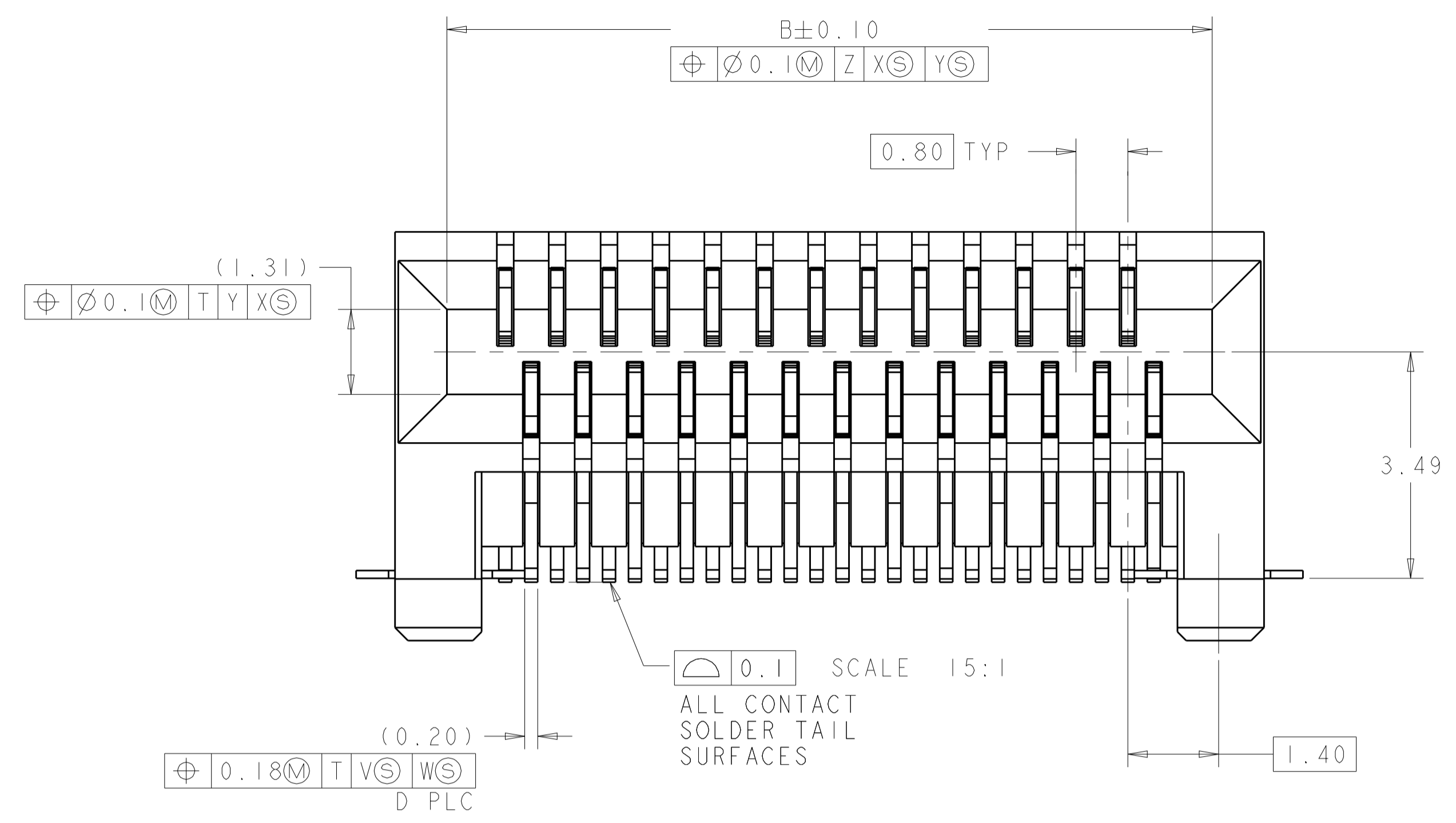


REVISIONS				
P.	LTN	DESCRIPTION	DATE	APVD
A		RELEASED PER ECO-09-022463	23OCT2009	CR DG
A1		RELEASED PER ECR-14-000965	22JAN2014	RG MC
B		REVISED PER ECO-16-017056	22NOV2016	RG SH
C		REVISED PER ECO-19-013178	27AUG2019	TX SH

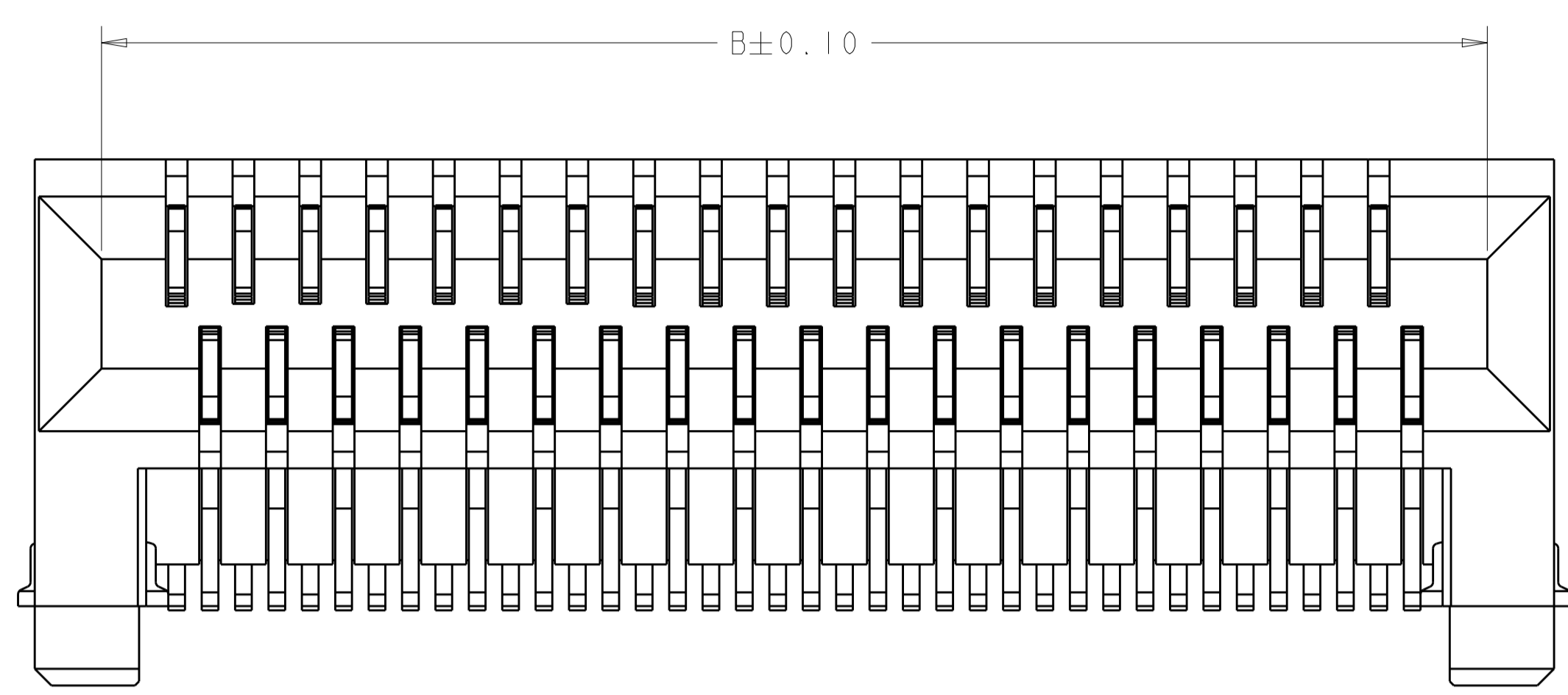


- 1 MATERIAL: LCP, BLACK.
- 2 MATERIAL: PHOSPHOR BRONZE PER ASTM B 103.
- 3 FINISH: $0.76 \mu\text{m}$ MIN GOLD PLATE PER ASTM B 488, APPLIES TO INTERFACE AREA AND $2.03 \mu\text{m}$ MIN TIN PLATE SOLDER TAILS, ALL OVER $3.81 \mu\text{m}$ MIN NICKEL PLATE PER QQ-N-290.
- 4 DATUM AND BASIC DIMENSION ESTABLISHED BY CUSTOMER.
- 5 FINISH: $0.38 \mu\text{m}$ MIN GOLD PLATE PER ASTM B 488, APPLIES TO INTERFACE AREA AND $2.03 \mu\text{m}$ MIN TIN PLATE SOLDER TAILS, ALL OVER $3.81 \mu\text{m}$ MIN NICKEL PLATE PER QQ-N-290.
- 6. TAPE AND REEL PACKAGED.
- 7 MATERIAL: NICKEL SILVER ALLOY. C77000.
- 8 PACKAGE SPEC (TAPE&REEL): WIDTH 32mm X PITCH 16mm

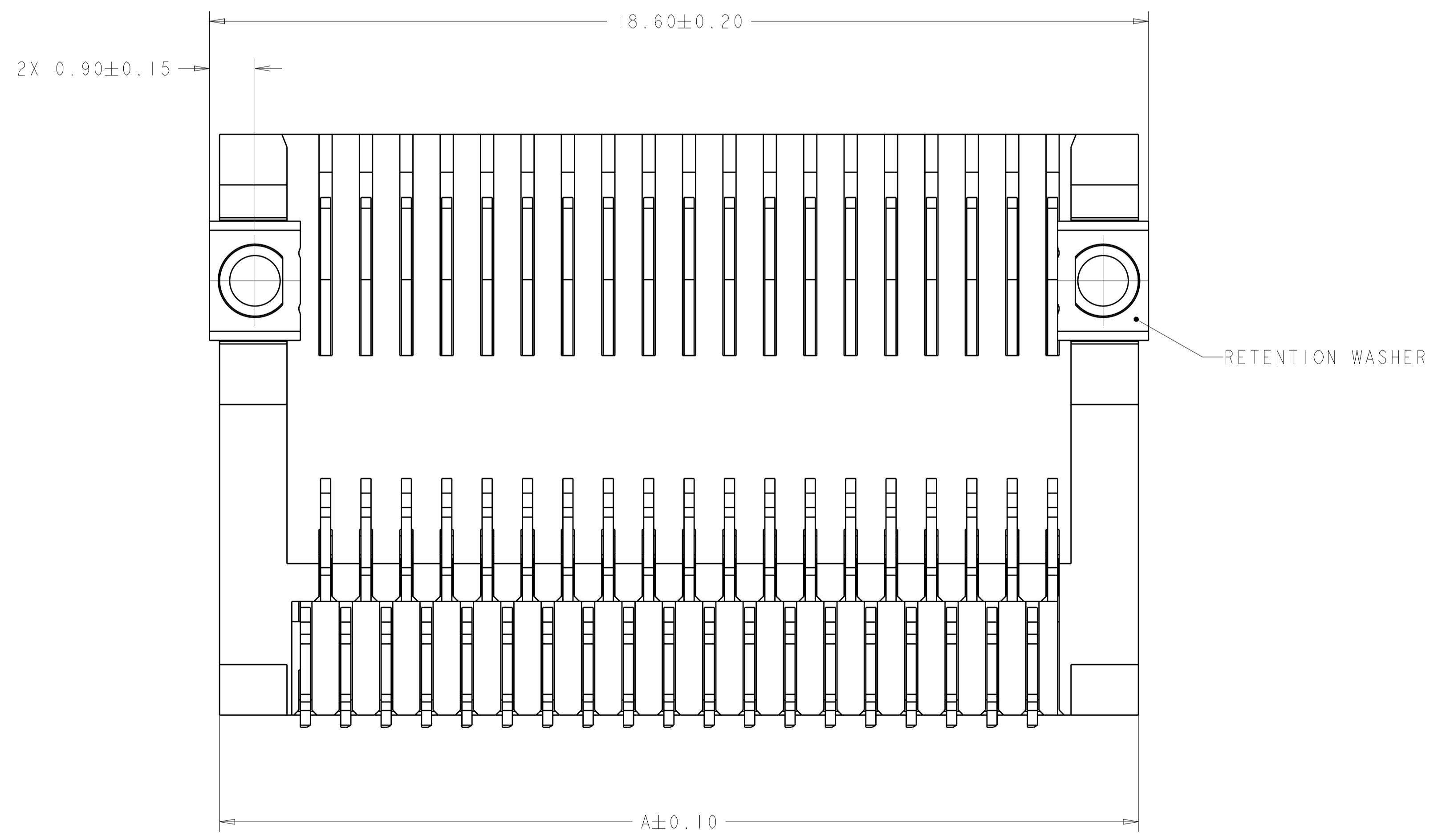
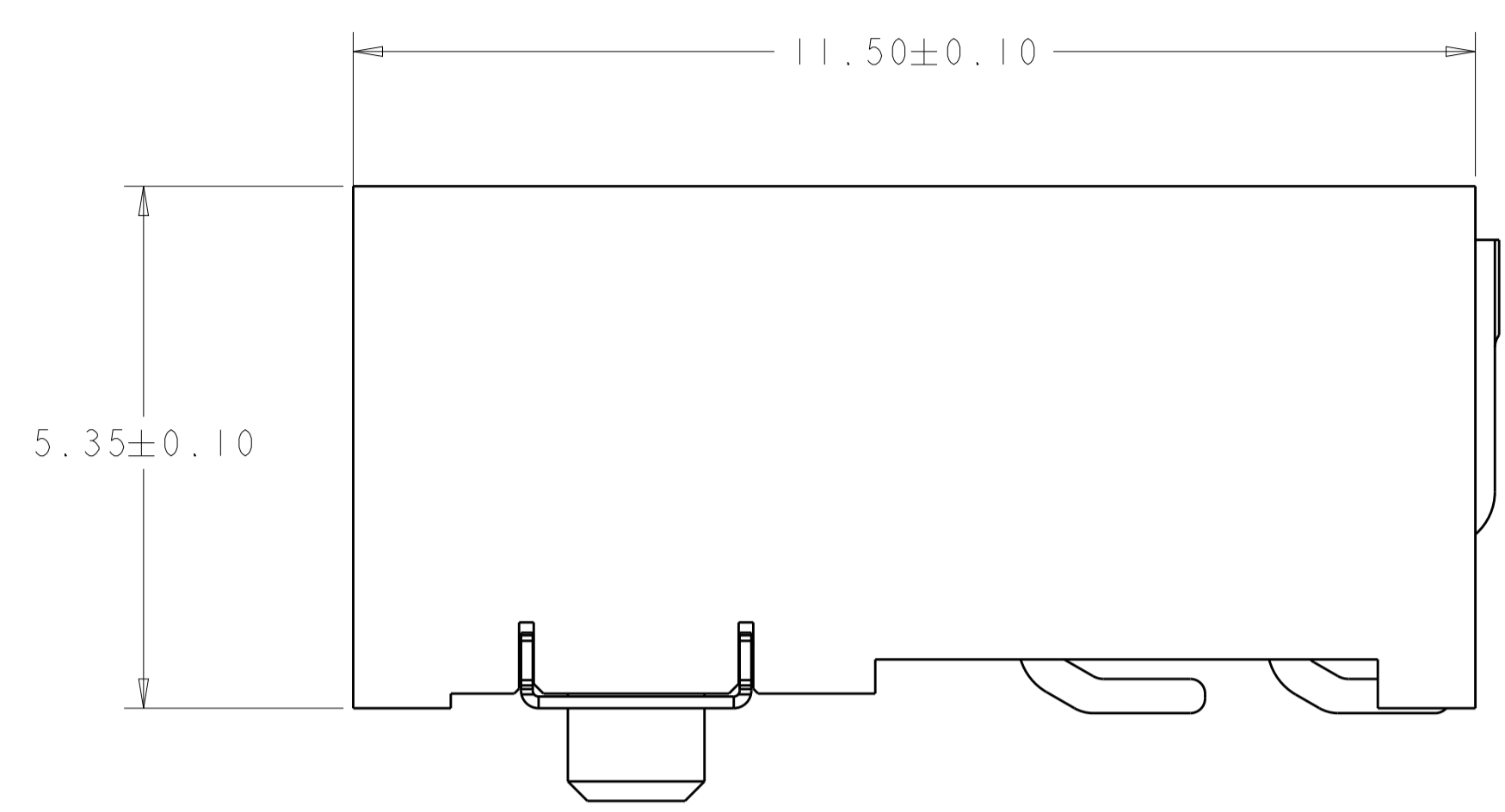
FINISH	SIZE							PART NUMBER
	F	E	D	C	B	A	POSN	
5	68	28.8	68	14.8	28.6	30.2	68	1-2007570-5
	38	16.8	38	8.4	16.6	18.1	38	1-2007570-4
	54	23.2	54	11.6	23	24.6	54	1-2007570-3
	50	21.6	50	10.8	21.4	23	50	1-2007570-2
	36	16	36	8	15.8	17.4	36	1-2007570-1
3	26	12	26	6	11.8	13.4	26	1-2007570-0
	68	28.8	68	14.8	28.6	30.2	68	2007570-6
	38	16.8	38	8.4	16.6	18.1	38	2007570-5
	54	23.2	54	11.6	23	24.6	54	2007570-4
	50	21.6	50	10.8	21.4	23	50	2007570-3
	36	16	36	8	15.8	17.4	36	2007570-2
	26	12	26	6	11.8	13.4	26	2007570-1

THIS DRAWING IS A CONTROLLED DOCUMENT. DIMENSIONS: mm. TOLERANCES UNLESS OTHERWISE SPECIFIED: 0 PLC ± 0.25 , 1 PLC ± 0.13 , 2 PLC ± 0.13 , 3 PLC ± 0.13 , 4 PLC ± 0.13 , 5 PLC ± 0.13 . ANGLES: $\pm 0.5^\circ$. FINISH: ± 0.1 . MATERIAL: LCP , PHOSPHOR BRONZE , $\text{NICKEL SILVER ALLOY}$. WEIGHT: -. SIZE: A1. CAGE CODE: 00779. DRAWING NO: 2007570. CUSTOMER DRAWING. SCALE: 15:1. SHEET: 1 OF 3. REV: C.

REVISIONS				
P.	LTN	DESCRIPTION	DATE	APVD
-	-	SEE SHEET 1	-	-



SCALE 15:1

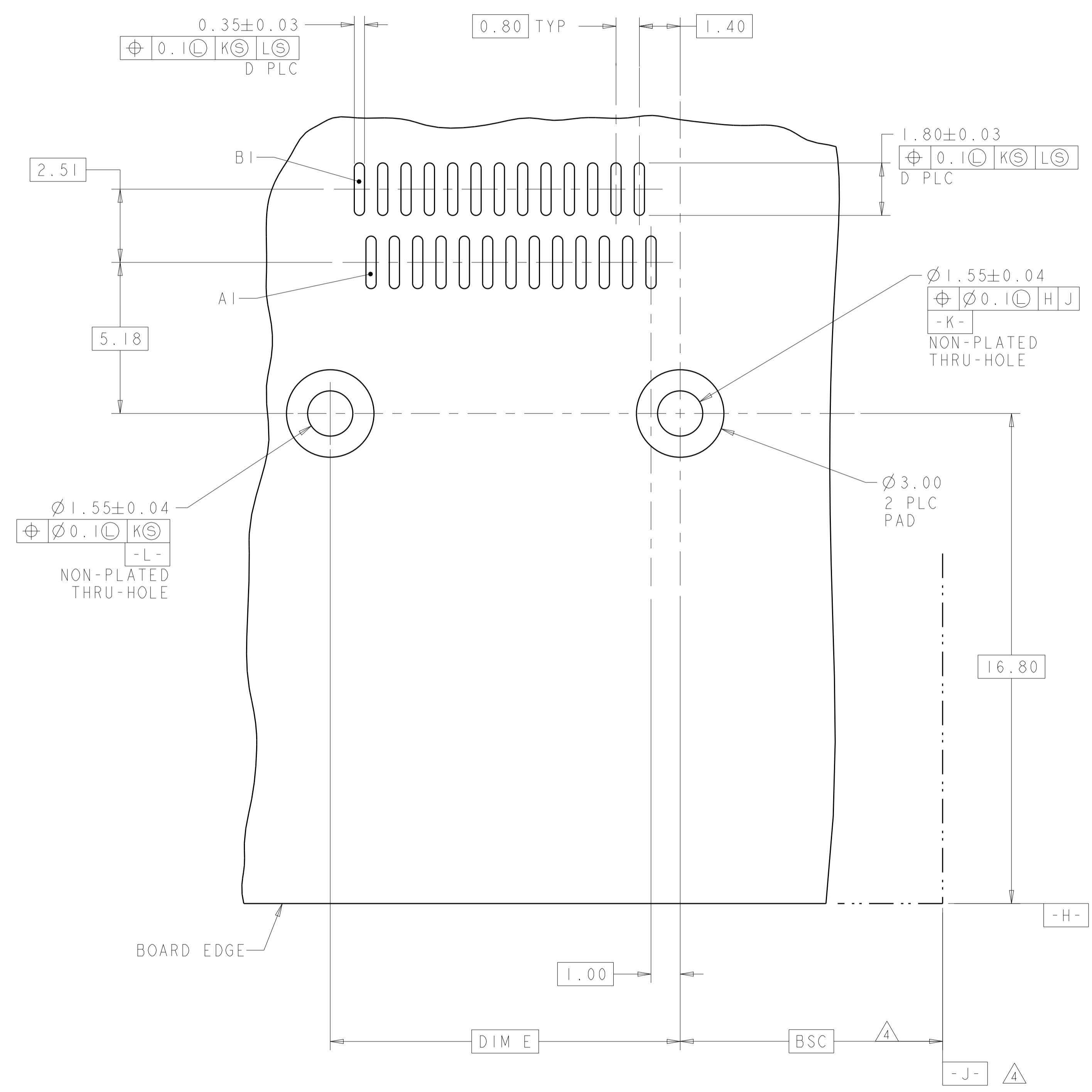


UN-SPECIFIED DIMENSION ALL REFER TO SHEET 1

△8	△5	38	16.8	38	8.4	16.6	18.1	38	2-2007570-6
	△5	38	16.8	38	8.4	16.6	18.1	38	1-2007570-6
	△3	38	16.8	38	8.4	16.6	18.1	38	2007570-7
FINISH	F	E	D	C	B	A	POSN	PART NUMBER	

THIS DRAWING IS A CONTROLLED DOCUMENT.		DWN J. POLIGNONE 17JAN08	TE Connectivity
DIMENSIONS: mm		CHK E. BRIGHT 17JAN08	
TOLERANCES UNLESS OTHERWISE SPECIFIED:		APVD E. BRIGHT 17JAN08	NAME EVERCLEAR Mini-SAS, CONNECTOR ASSEMBLY, RECEPTACLE, RIGHT ANGLE, SURFACE MOUNT
0 PLC ± 1 PLC ±0.25 2 PLC ±0.13 3 PLC ± 4 PLC ± ANGLES ±		PRODUCT SPEC	SIZE A100779C=2007570
MATERIAL TBD		APPLICATION SPEC	RESTRICTED TO
FINISH		WEIGHT	SCALE 15:1 SHEET 2 OF 3 REV C
CUSTOMER DRAWING			

REVISIONS				
P.	LTN	DESCRIPTION	DATE	APVD
-	-	SEE SHEET 1	-	-



RECOMMEND PCB LAYOUT
 SCALE 10:1

THIS DRAWING IS A CONTROLLED DOCUMENT.		DWN J. POLIGNONE 17JAN08	TE Connectivity
DIMENSIONS: mm		CHK E. BRIGHT 17JAN08	
TOLERANCES UNLESS OTHERWISE SPECIFIED: 0 PLC ± 1 PLC ±0.25 2 PLC ±0.13 3 PLC ± 4 PLC ± ANGLES ±		APVD E. BRIGHT 17JAN08	NAME EVERCLEAR Mini-SAS, CONNECTOR ASSEMBLY, RECEPTACLE, RIGHT ANGLE, SURFACE MOUNT
MATERIAL TBD	FINISH -	WEIGHT -	RESTRICTED TO A100779C=2007570
CUSTOMER DRAWING		SCALE 10:1	SHEET 3 OF 3 REV C