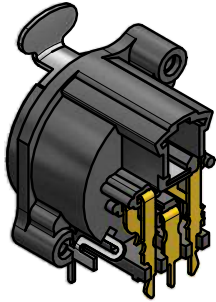
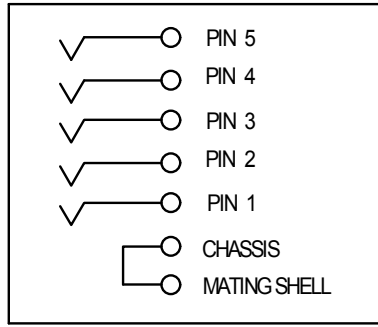
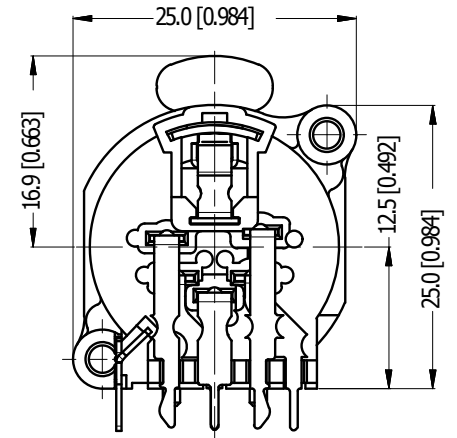
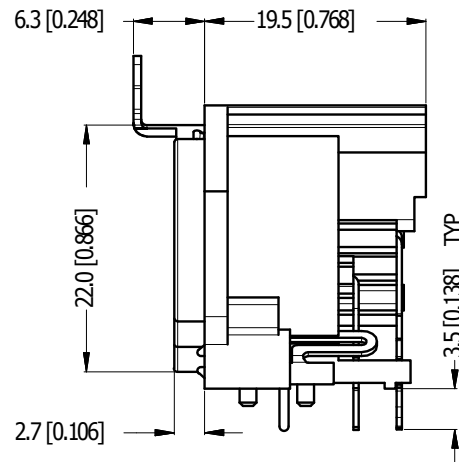
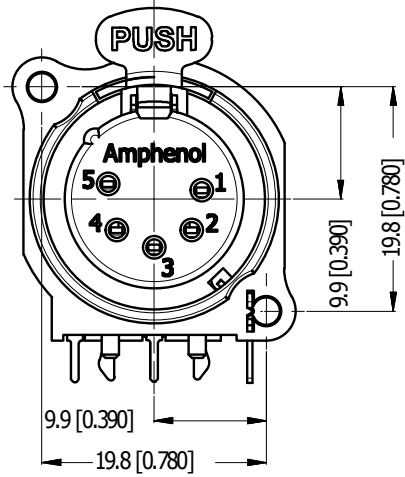
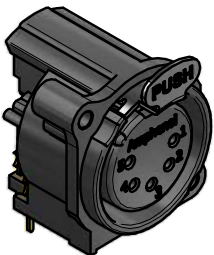


LEGEND = KEY PRODUCT CHARACTERISTICS

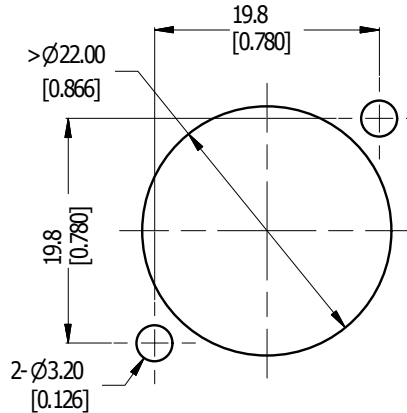
REV	DESCRIPTION	DATE	BY	ECN
0	FIRST ISSUE	20-08-08	MH	---
1	ADD -B TO PN	26-08-15	MH	---
2	CHANGE MATERIAL FROM UL94HB TO UL94V-0	01-04-20	MH	9593



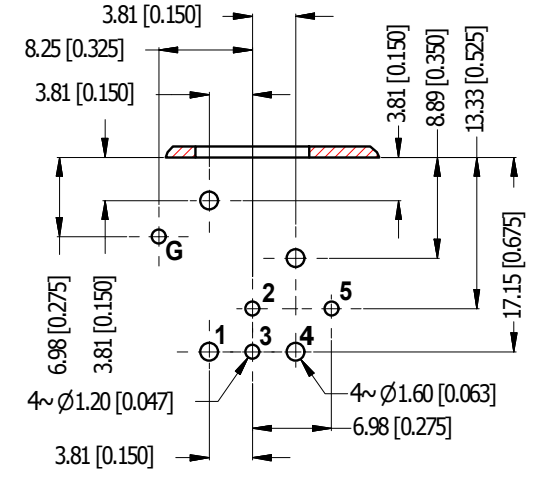
3D VIEW (1:1)



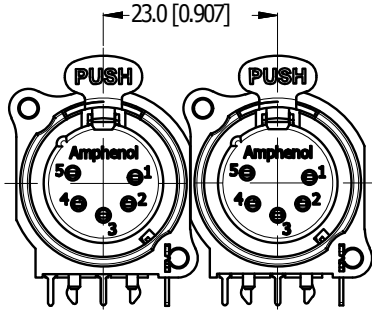
SCHMATIC CHART



PANEL CUT OUT REAR VIEW



PCB LAYOUT COMPONENT SIDE TOLERANCE: ± 0.05mm [.002"]



MIN MOUNTING PITCH (SCALE 1:1)

UNLESS OTHERWISE SPECIFIED TOLERANCE TO BE		THIS DOCUMENT IS THE PROPERTY OF AMPHENOL AUSTRALIA PTY. LTD. NO PART THEREOF MAY BE REPRODUCED AND USED WITHOUT THE PRIOR WRITTEN CONSENT OF THE OWNER		<b>Amphenol</b> Amphenol Australia Pty.Ltd, 22 Industry Blvd, Carrum Downs, VIC 3201	
LINEAR	ANGULAR	MATERIAL: <b>SEE COMPONENT</b>	DRN: M.H	DATE: 20-08-08	TITLE: <b>AC5FAH-AU-B HORIZONTAL FEMALE CUSTOMER DRAWING</b>
X ± 0.5	X° ± 1	FINISH: <b>SEE COMPONENT</b>	CKD: M.H	DATE: 01-04-20	PART No. <b>AC5FAH-AU-B</b>
XX ± 0.2	XX° ± 30'	DO NOT SCALE	APP'D: P.M	DATE: 01-04-20	DRAWING No. <b>55010445-000-2</b>
XXX ± 0.1	XXX° ± 15'	DIMENSIONS IN MILLIMETRES	SCALE: <b>3:2</b>	SIZE: <b>A4</b>	SHEET <b>2/2</b>
BREAK ALL SHARP EDGES AND REMOVE ALL BURRS		THIRD ANGLE PROJECTION		CAD FILE: 5501445000112	