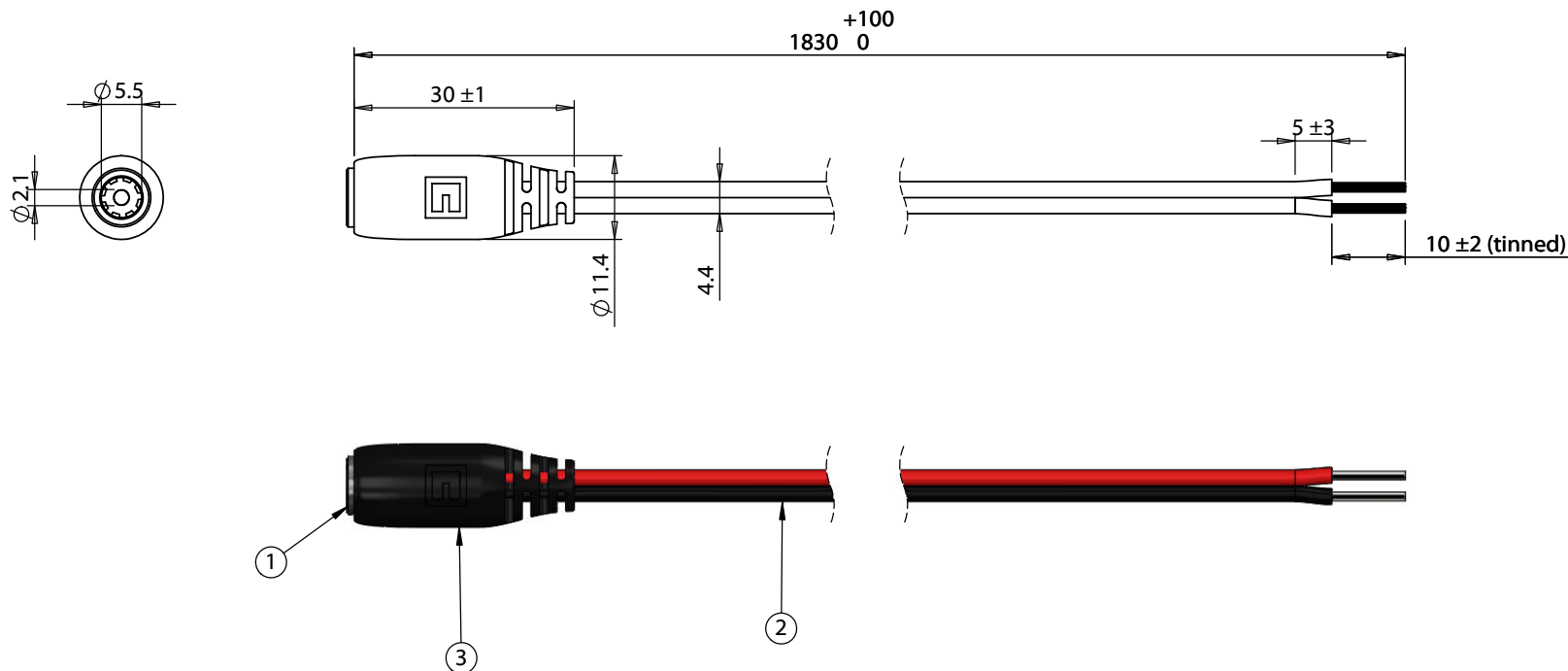


ITEM NO.	PART NUMBER	DESCRIPTION	QTY.	COMPONENT NOTES
1	50-00025	Connector, dc jack, 5.5x2.1xL17.4 mm, molding style	1	
2	30-00415	Wire, 2C TS, 18 AWG, UL2468, 300V, 80°C, 4.4 mm, VW-1, PVC, red and black	1	
3	24-00004	Overmold, PVC, black	1	



**Notes:**  
Functionally equivalent components may be substituted

Electrical requirements: 7 A, 48 Vdc

Wiring diagram	
50-00025	Wire color
Center	Red
Sleeve	Black

Revision:	Date:	Description:	Prepared:	Notes:	<h1>TENSILITY</h1> <p>tel 1.541.323.3228 800 877.670.7118 fax 1.541.323.4202 web tensility.com</p>
A	7/25/2014	Initial release	JD <small>Digitally signed by JD Date: 2022.12.21 12:07:59 -08'00'</small>	RoHS compliant	
A1	4/30/2015	Updated notes section	Verified: MP <small>Digitally signed by MP Date: 2023.01.10 16:02:03 -08'00'</small>	Function test: no open, no short circuit, no intermittent	Size: A
			Dimensions are in millimeters. Tolerances: X: ± 0.5 mm X.X: ± 0.3 mm X.XX: ± 0.05 mm	Description: Cable, 1830 mm, 5.5x2.1 mm 50-00025 dc jack to 10 mm tinned, 18 AWG, 30-00415 R-B wire	Part number: 10-01778
					Scale: 1:1
					Sheet 1 of 1

5

↑

4

3

2

1