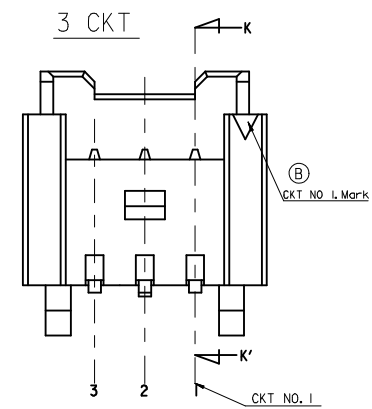
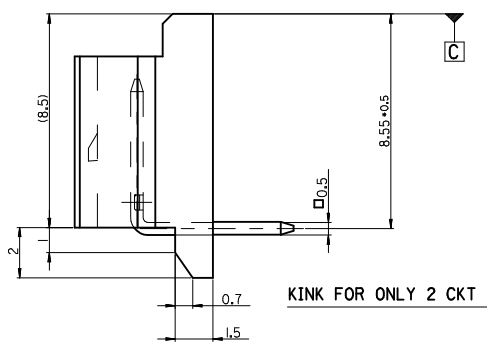
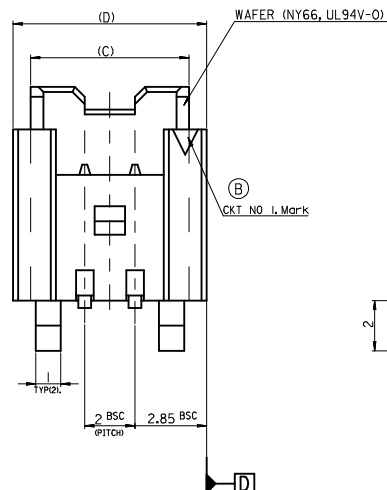


FOR 2 & 3 CKTS.

LEGEND

SD-35363-\*\*\* | \* COLOR

0	: NATURAL
1	: BLACK
2	: RED
3	: YELLOW
4	: BLUE
5	: GREEN



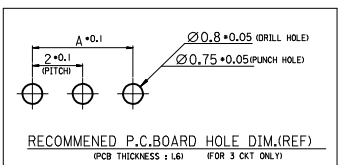
NOTES

- ① 1. MATERIAL : UNFILLED POLYAMIDE, UL94V-0
- 2. MATING HOUSING : 35007-\*\*\*0\*
- MATING TERMINAL : 50212-8000
- ③ CHAMBER : 0.3 MAX.
- 4. KINK

CKT NO	1	2	3
2 CKT	NONE	KINK	
3 CKT	A	B	A

5. PRODUCT SPECIFICATION NO : PS-35507-001

9.7	8.3	7.3	4	-031*	3
7.7	6.3	5.3	2	35363-021*	2
(D)	(C)	(B)	A	ENG. NO.	CKT



30 over	±0.3
10 over 30 under	±0.25
10 under	±0.2
ANGLE	±3°
GENERAL TOLERANCE	

REVISED  
 EC NO: KOR2008-0018  
 DRWN: JBAE 2009/01/14  
 CHKD: YSOOKIM 2009/01/14  
 APPR: YUNS IKKIM 2009/01/15

QUALITY SYMBOLS  
 ▽=0  
 ▽=0

GENERAL TOLERANCES (UNLESS SPECIFIED)

	mm	INCH
4 PLACES	±---	±---
3 PLACES	±---	±---
2 PLACES	±---	±---
1 PLACE	±0.15	±---
ANGULAR ± 1°		

DRAFT WHERE APPLICABLE MUST REMAIN WITHIN DIMENSIONS

DIMENSION STYLE  
**MM ONLY**

SCALE  
**5:1**

DESIGN UNITS  
**METRIC**

THIRD ANGLE PROJECTION

DRAWN BY  
 YSOOKIM

DATE  
 1996/09/11

CHECKED BY  
 JKOH

DATE  
 1996/09/11

APPROVED BY  
 CWLEE

DATE  
 1996/09/11

MATERIAL NO.

ENTER PART

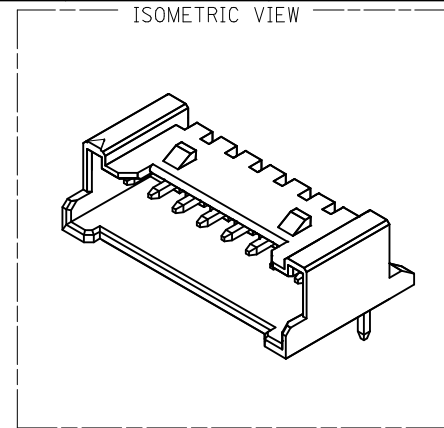
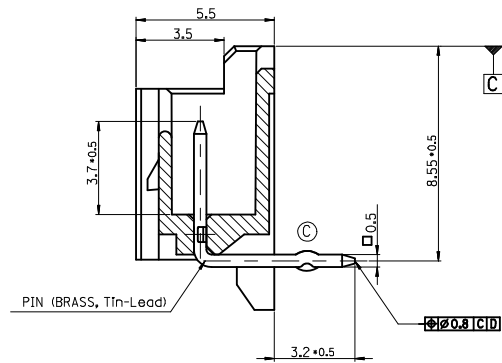
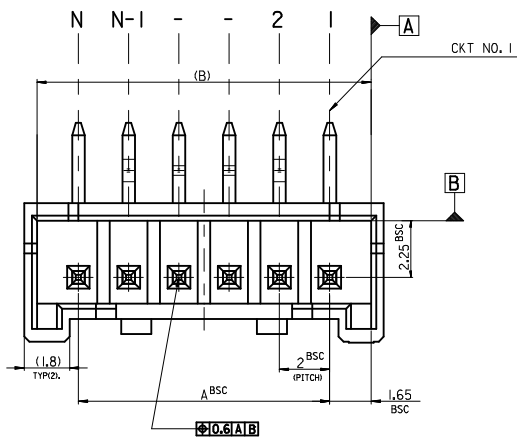
2.0 W/B CONN  
 WAFER ASSY  
 (R/A)

**MOLEX INCORPORATED**

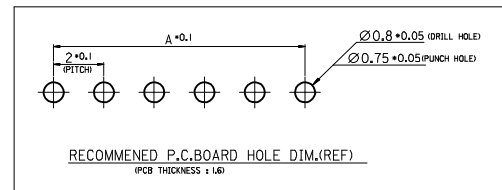
DOCUMENT NO.  
**SD-35363-001**

SHEET NO.  
**2 OF 3**

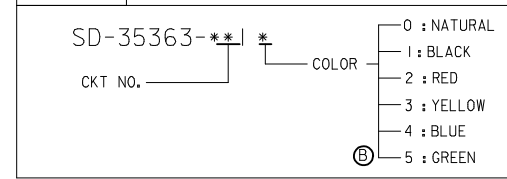
THIS DRAWING CONTAINS INFORMATION THAT IS PROPRIETARY TO MOLEX INCORPORATED AND SHOULD NOT BE USED WITHOUT WRITTEN PERMISSION



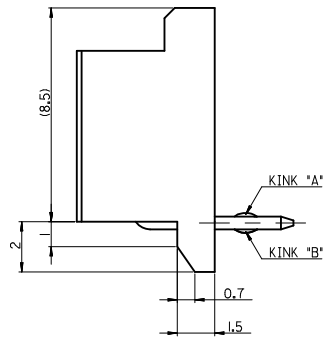
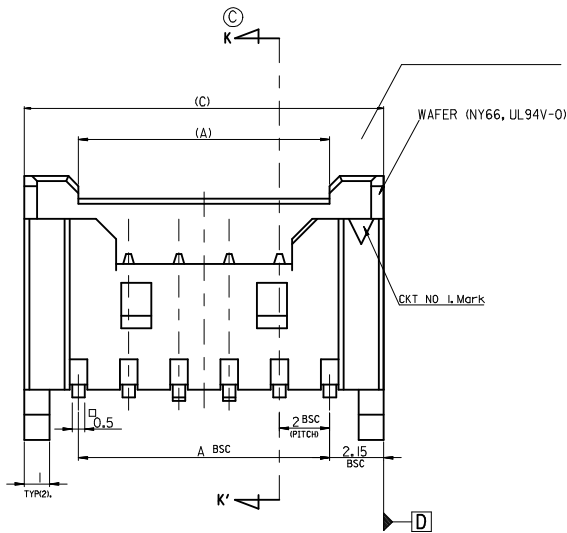
SECTION K-K'



LEGEND



42.3	41.3	38	35363-20I*	20
(C)	(B)	A	ENG. NO.	CKT



NOTES

- MATERIAL : UNFILLED POLYAMIDE, UL94V-0
- MATING HOUSING : 35007-\*\*\*0\*
- MATING TERMINAL : 50212-8000
- KINK

CKT NO	1	2	3	4	N-3	N-2	N-1	N
20	-	A	B	-	-	B	A	-

4. PRODUCT SPECIFICATION NO : PS-35507-001

30 over	±0.3
10 over 30 under	±0.25
10 under	±0.2
ANGLE	±3°

GENERAL TOLERANCE

REVISED  
 EC NO: KOR2008-0018  
 DRWN: JHAE  
 CHKD: YSOOKIM  
 APPR: YUNS IKKIM

QUALITY SYMBOLS  
 =0  
 =0  
 DESCRIPTION  
 REV G1

GENERAL TOLERANCES (UNLESS SPECIFIED)	
mm	INCH
4 PLACES ±---	±---
3 PLACES ±---	±---
2 PLACES ±---	±---
1 PLACE ±0.15	±---
ANGULAR ± 1°	

DIMENSION STYLE	
MM ONLY	
DRAWN BY	DATE
YSOOKIM	1996/09/11
CHECKED BY	DATE
JKOH	1996/09/11
APPROVED BY	DATE
CWLEE	1996/09/11
MATERIAL NO.	
ENTER PART	

SCALE	DESIGN UNITS	THIRD ANGLE PROJECTION
5:1	METRIC	☉
TITLE		
2.0 W/B CONN WAFER ASSY (R/A)		
MOLEX INCORPORATED		
MATERIAL NO.	DOCUMENT NO.	SHEET NO.
ENTER PART	SD-35363-001	3 OF 3
THIS DRAWING CONTAINS INFORMATION THAT IS PROPRIETARY TO MOLEX INCORPORATED AND SHOULD NOT BE USED WITHOUT WRITTEN PERMISSION		