

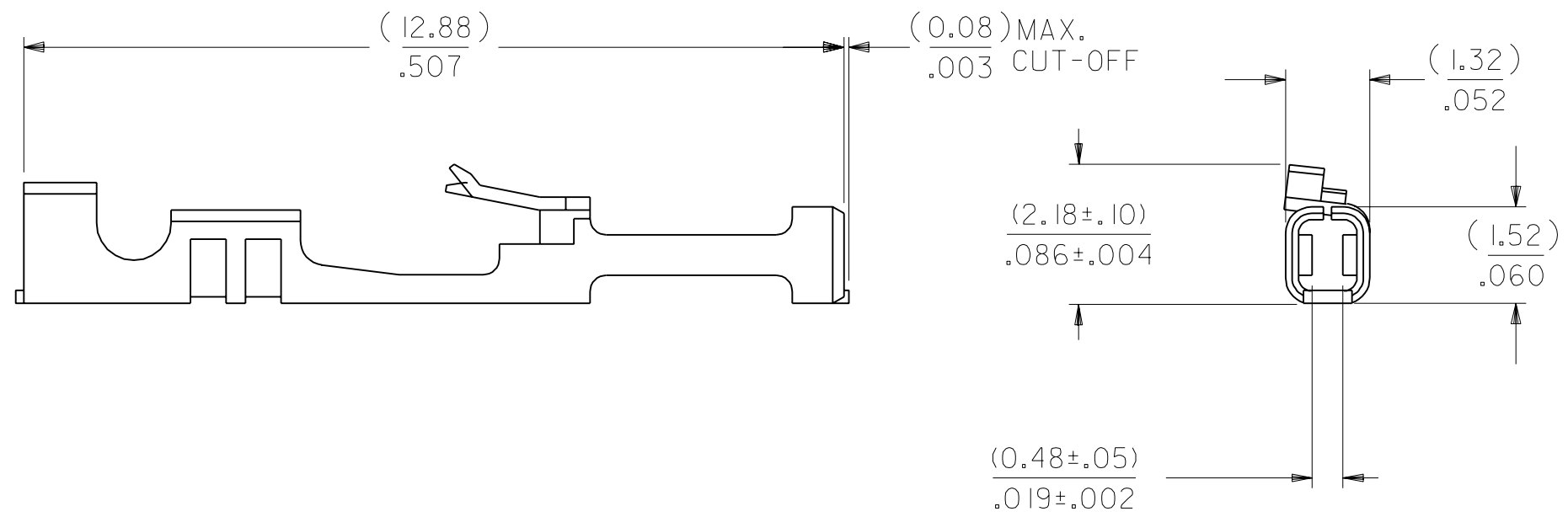
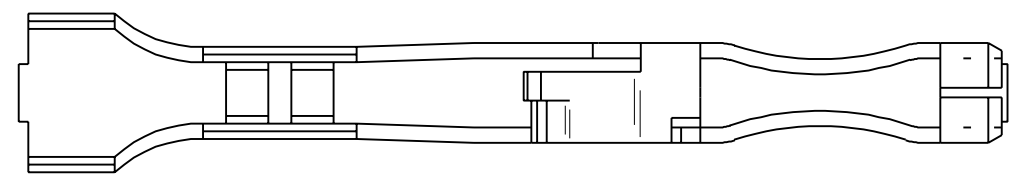
**NOTES:**

1. TERMINAL TO BE USED IN HOUSINGS 70066-\*\*\*\* AND 70450-\*\*\*\*
2. REFER TO PRODUCT SPECIFICATION PS-71851
3. REFER TO MOLEX OPERATIONS AND SERVICE MANUAL FOR CRIMP DETAILS
4. TERMINAL TO BE USED WITH (0.64)/.025 SQUARE PINS
5. TERMINAL TO BE USED WITH 24-30 AWG STRANDED WIRE WITH (1.52)/.060 MAX. DIA. INSULATION
6. TERMINALS SUPPLIED IN REEL FORM

**PLATING:**

.000015 MINIMUM GOLD PLATE IN SELECT AREA WITH .000075 MINIMUM TIN PLATE IN SELECT AREA OVER NICKEL PLATE OVERALL

\*THE PRIMARY SHIPPING CARTON WILL BE LABELED "COMPLIANT TO RoHS DIRECTIVE 2002/95/EC AND ELV ANNEX II OF DIRECTIVE 2000/53/EC". CARTONS WITHOUT THIS LABEL MAY CONTAIN PRODUCT WITH LEAD.



F  
E  
D  
C  
B  
A

F  
E  
D  
C  
B  
A

		CI	REVISED ECR #U80270 MCGRATH 97/07/31
		C	REVISE PER ECR# U82219 11-07-88 MJM/MGB
D	LEAD FREE UCP2004-1769 RWHITE 04/03/24	B	REVISE PER ECR #U80064 3/25/88 MJM
LTR.	REVISIONS	LTR.	REVISIONS

DIMENSIONS SHOWN (METRIC) INCH

UNLESS OTHERWISE SPECIFIED  
TOLERANCES: ANGULAR ± 1/2°

	INCH	METRIC
3 PLACE	± .010	---
2 PLACE	± .014	± 0.25
1 PLACE	---	± 0.35

DRAFT WHERE APPLICABLE MUST  
REMAIN WITHIN DIMENSIONS

DRWG. BY	MJM	CHK'D. BY	MJM
APP'D. BY	WAZ	SCALE	10: 1

▽ = 0    ▼ = 0    REVISE ONLY ON CAD SYSTEM

TITLE: **TERMINAL-BOX/CRIMP HIGH FORCE CONTACT**

**MOLEX INCORPORATED** SHEET NO. 1 DATE 03/25/88  
LISLE, ILL. 60532 U.S.A.

PART NO. **016-02-0119** DRWG. NO. **SD-71851-0006**

FILE NAME: S71851X23 THIS DRAWING CONTAINS INFORMATION THAT IS PROPRIETARY TO MOLEX INC. AND SHOULD NOT BE USED WITHOUT WRITTEN PERMISSION. DIV. DA SIZE B