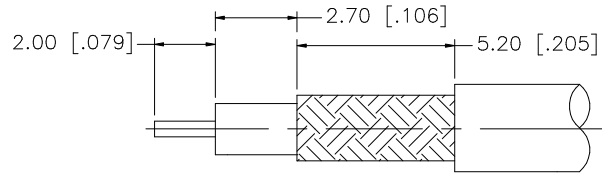
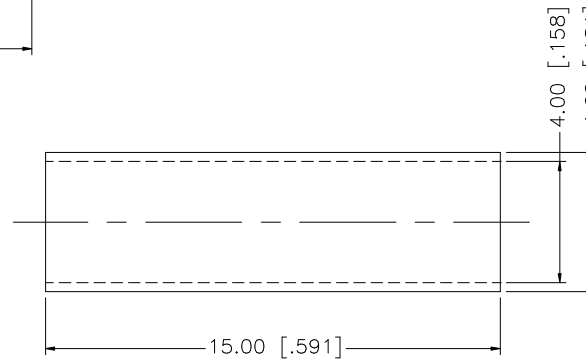
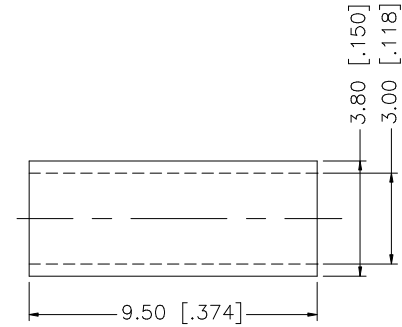
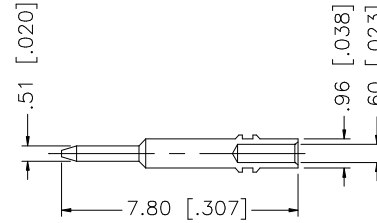
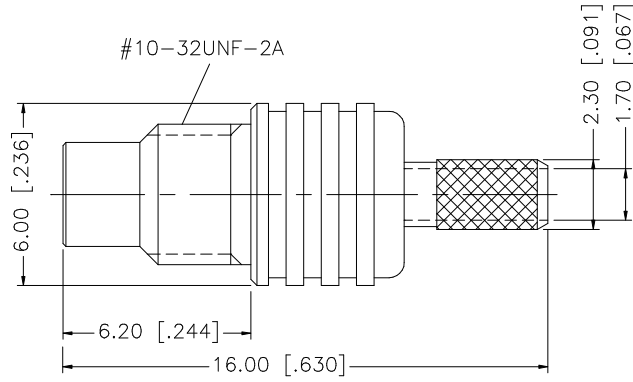


REV.	DATE	DESCRIPTION
A	04/31/03	UPDATE DRAWING FORMAT



RECOMMENDED  
CABLE STRIPPING DIM'S



NOTE:

1. CRIMPED FERRULE  
HEX CRIMP SIZE .128"
2. CRIMPED CONTACT PIN  
SQ. CRIMP SIZE 0.7mm

				UNLESS OTHERWISE SPECIFIED DIMENSIONS ARE IN MILLIMETERS. DIMENSIONS IN [ ] ARE IN INCHES AND FOR CUSTOMER REFERENCE ONLY.	APPROVALS	DATE	<h1 style="color: blue; text-align: center;">Amphenol Connex</h1>				
8					DRAWN	G.R.S.					04/31/03
7					CHECKED			<b>SMC CRIMP JACK</b> <b>(FOR RG-174/U, 188A/U, 316/U)</b>			
6					ISSUED						
5	HEAT SHRINK TUBE		BLACK	1				<b>152102</b>			
4	FERRULE	COPPER	NICKEL	1							
3	CONTACT PIN	BRASS	GOLD	1				DWG. NO. 152102.DWG			
2	INSULATOR	TEFLON	NATURAL	1							
1	BODY	BRASS	NICKEL	1				SIZE A			
DESCRIPTION				MATERIAL	FINISH	QTY	SCALE NA				
				UNLESS OTHERWISE SPECIFIED TOLERANCES FOR MILLIMETERS ARE: 0.5 - 8mm ± 0.20mm 8 - 30mm ± 0.40mm 30 - 120mm ± 0.50mm		UNLESS OTHERWISE SPECIFIED TOLERANCES FOR INCHES ARE: .020 - .315 = ± 0.007" .315 - 1.180 = ± 0.015" 1.180 - 4.724 = ± 0.020"		DO NOT SCALE DRAWING			
						CAD FILE		C:/152/152102.DWG			