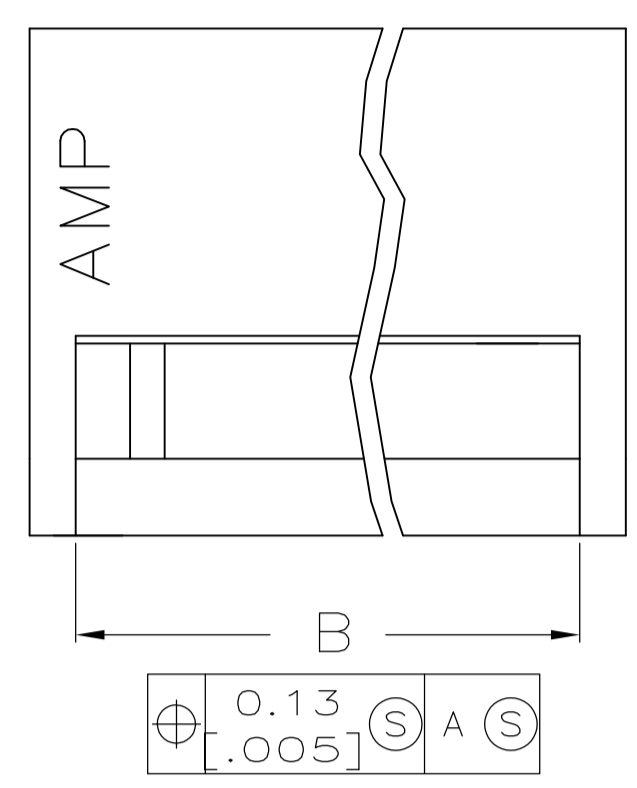
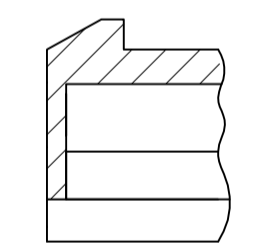
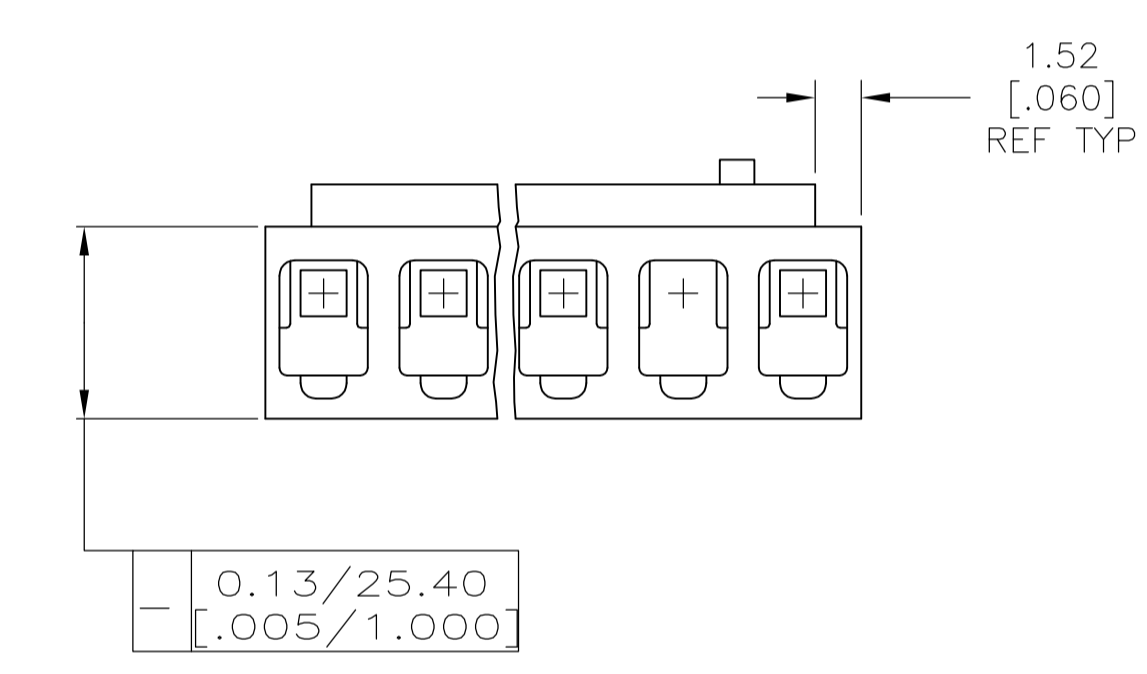
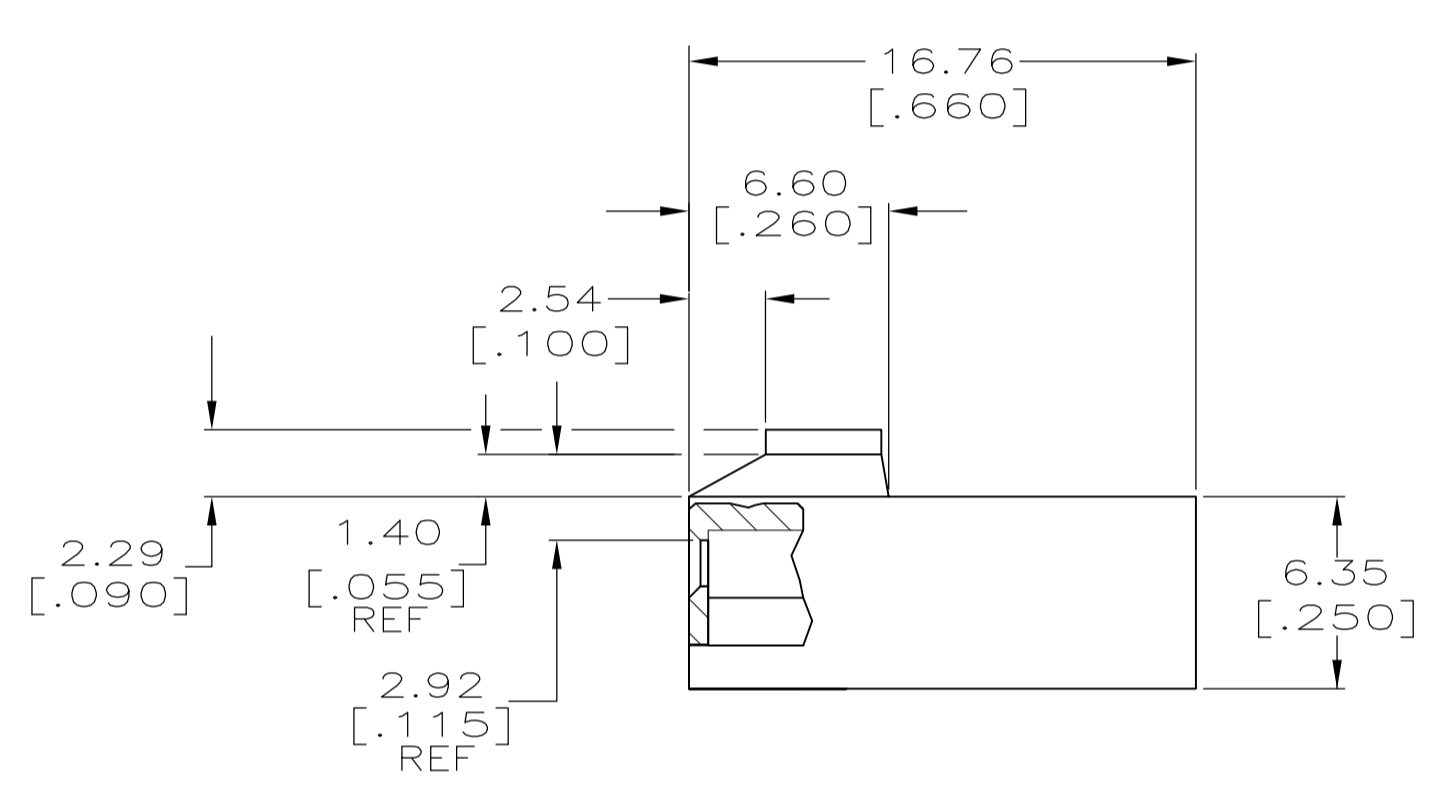
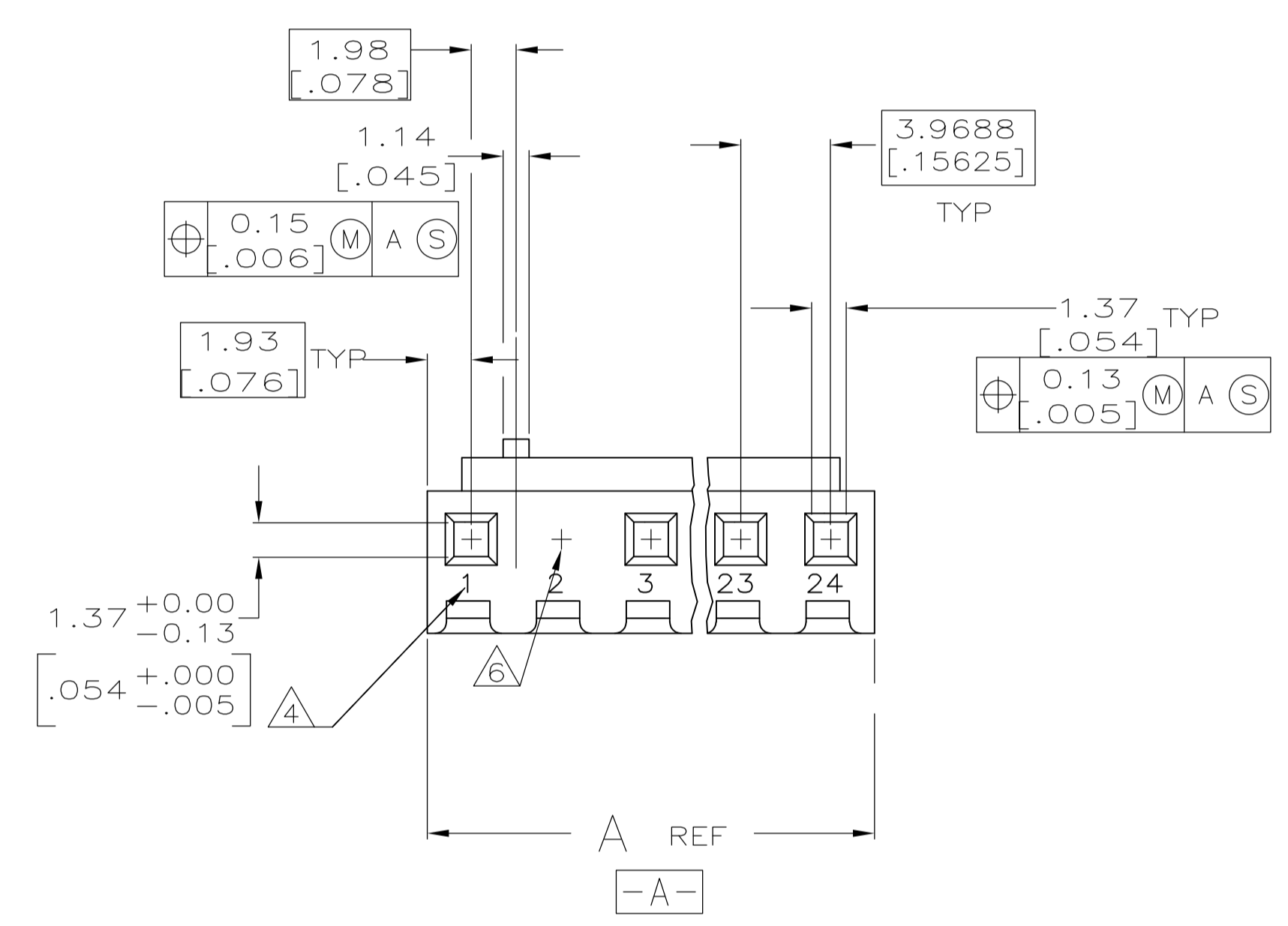


LOC	DIST	REVISIONS					
CM	54	P	LTR	DESCRIPTION	DATE	DWN	APVD
		A		REVISED PER ECO-12-007810	30JUL12	KH	SM

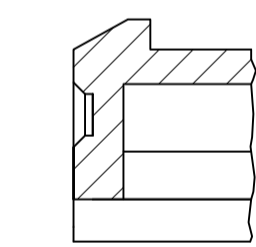
- 1 UNIT ACCEPTS 1.14[.045] SQUARE OR ROUND POST.
- 2 UNIT ACCEPTS STANDARD SL-156 CONTACTS.
- 3 UNIT ACCEPTS KEYING PLUG 640254-1 AND KEYING PIN 640255-1.
- 4 CIRCUIT ID NUMBERS.
- 5 DIMENSIONS IN BRACKETS ARE IN INCHES.
- 6 CIRCUIT 2 IS MOLDED CLOSED, USING EITHER OPTION A OR OPTION B.



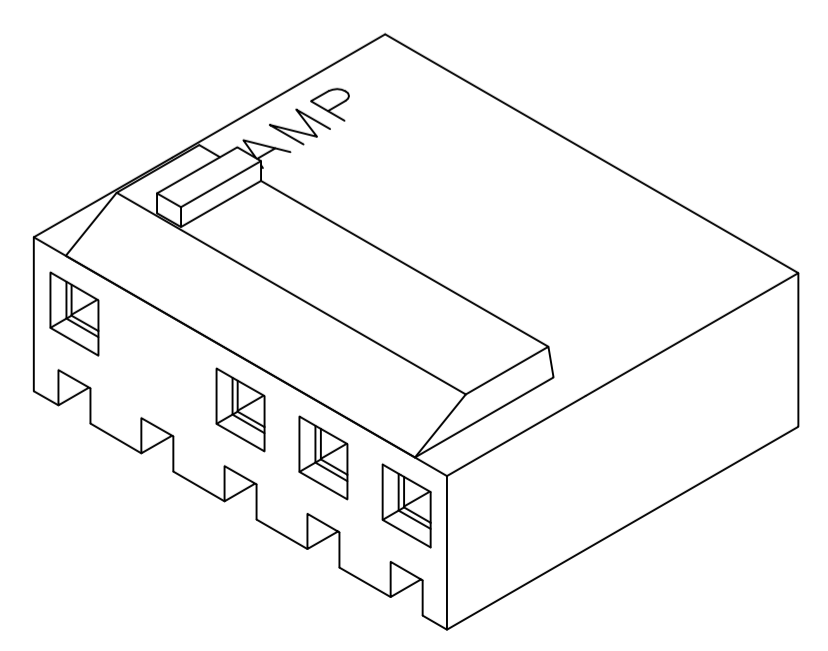
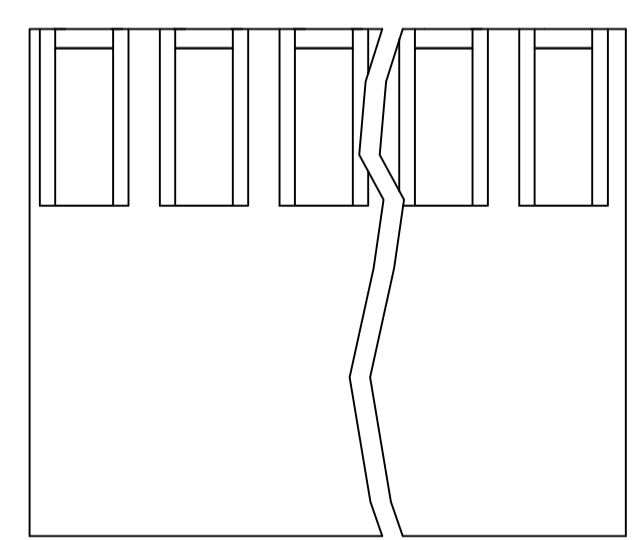
$\oplus 0.13$
[.005] (M) A (S)



OPTION A



OPTION B



3-DIMENSIONAL MODEL
NTS

12.70 [.500]	15.77 [.621]	4	647171-4
B	A	NO. OF CIRCUITS	PART NO

THIS DRAWING IS A CONTROLLED DOCUMENT.		DIN B LEWIS 11-20-97		TE Connectivity	
DIMENSIONS: mm [INCHES]		TOLERANCES UNLESS OTHERWISE SPECIFIED:		NAME	
0. PLC ± -		1. PLC ± -		HOUSING WITH .260 LOCKING RAMP AND A TAB, NO.2 CIRCUIT CLOSED, SL-156	
2. PLC ± -		2. PLC ± -		SIZE	
3. PLC ± 0.13 [.005]		3. PLC ± 0.13 [.005]		CAGE CODE	
4. PLC ± -		4. PLC ± -		DRAWING NO	
ANGLES ± ± -		ANGLES ± ± -		RESTRICTED TO	
MATERIAL NYLON,UL 94V-0 NATURAL		FINISH -		WEIGHT -	
		CUSTOMER DRAWING		SCALE 4:1 SHEET 1 OF 1 REV A	

