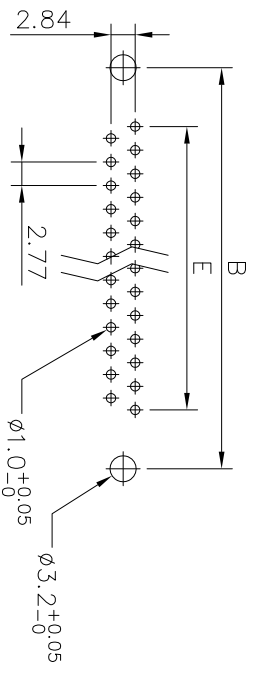
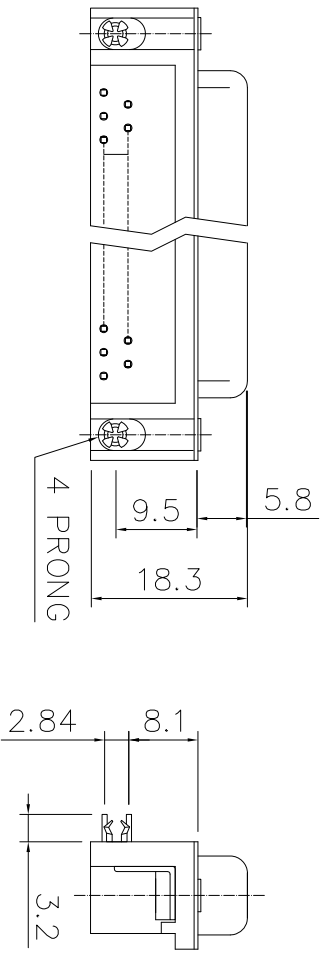
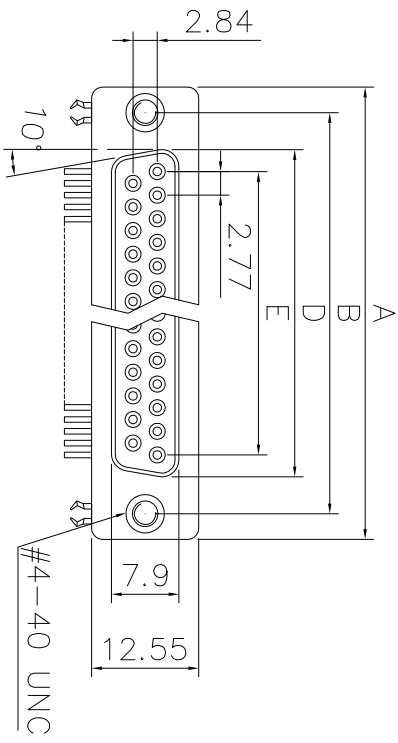


This document is the property of Amphenol Corporation and is delivered on a non-exclusive basis. It is to be used for manufacturing or sales by anyone other than Amphenol Corporation without its prior consent, & that no right is granted to disclose or to use any information in this document.

Customer drawing



RECOMMENDED P.C.B LAYOUT
(TOLERANCE +/-0.05)



Positions	A	B	D	E
9	30.81	24.99	16.33	11.08
15	39.20	33.30	24.70	19.39
25	53.05	47.04	38.40	33.24
37	69.40	63.50	54.80	49.86

REVISIONS				
S/N	ECN	DESCRIPTION	DATE	APPROVED
1	HK--	First Release Drawing	7/12/13	IP

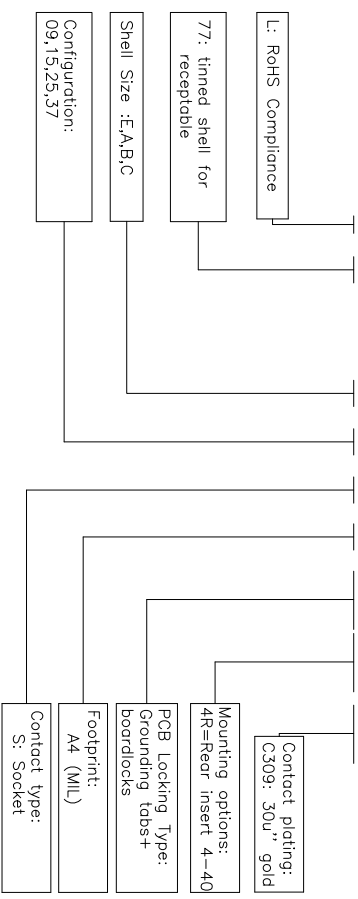
D-SUB TECHNICAL DATA

SHELL : Steel, 100u" Tin Over 50u" min nickel over 50u" min Copper
BODY : Glass-Filled Thermoplastic PBT, UL94V-0
CONTACTS : Copper alloy
 30u" gold over 50u" nickel on mating area
 100u" tin over 50u" nickel on solder area
BOARDLOCK: Brass, Tin Plated.
RIVET: Brass, Nickel Plated.
ELECTRICAL : Voltage rating 250 V Rms to 60 Hz
 Current Rating :3 AMP
 Withstanding Voltage >1000 V Rms to 60 Hz for one minute
 Insulation resistance >1000 M Ohms
 Contact resistance 20 mOhms max at 1 AMP DC.

MARKING : Amphenol...(Series No.)
 Commercial reference
 Manufacturing date

PRODUCT CODE

L 77 SD XXX S A4 CH 4R C309



UNLESS OTHERWISE SPECIFIED		APPROVAL		DATE	
TOLERANCES	U.S.	DRAWN	INCL. Linc	7/12/13	7/12/13
.X	+/-				
.XX	+/-				
.XXX	+/-				
FRACTIONS	+/-				
ANGLES	+/-				5°
FOR MATERIALS AND FINISHES SEE REMOVE SHARP EDGES					
DIMENSIONS					
ANGLE OF PROJECTION					
DRAWING FILE :					
TITLE					
D-sub, R/A					
Amphenol					
Amphenol East Asia Limited					
SIZE DRAWING NO		SCALE		REV.	
A4		NONE		1	
SCALE		SHEET		OF	
		1		1	