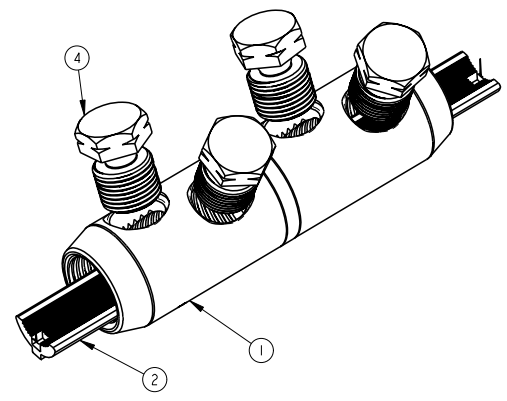
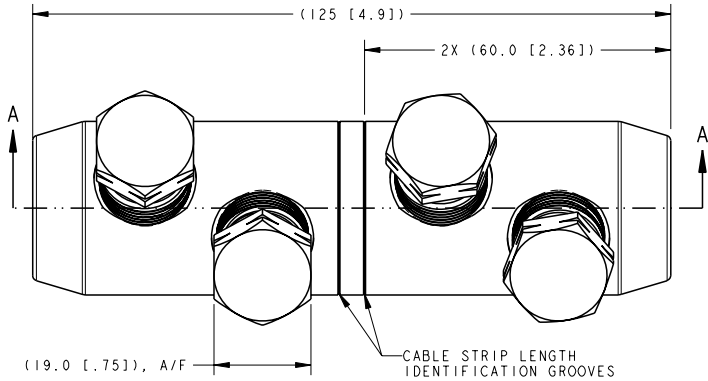
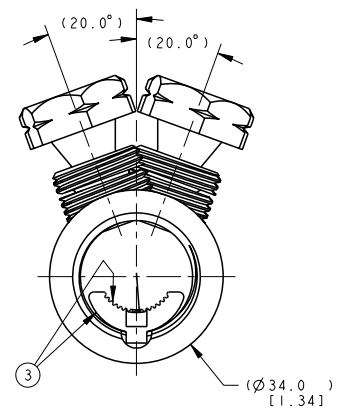
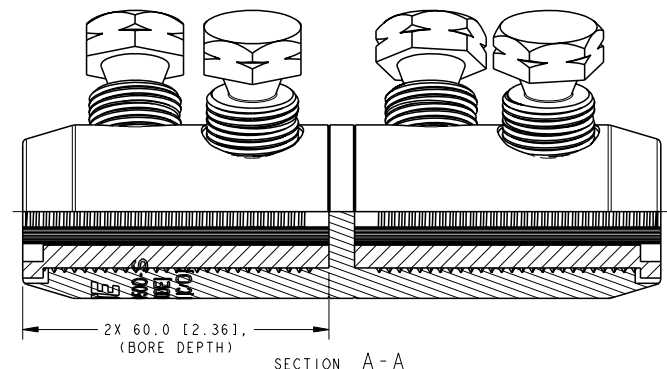


LOC	DIST	REVISIONS			
P	LTR	DESCRIPTION	DATE	DWN	APVD
GA	I				
A		INITIAL REL. PER LC20-0006-11	07JAN2011	DM	BJ
B		LC20-0059-11 / ECO-11-008039	14APR2011	DM	BJ
C		LC20-0075-11 / ECO-11-010337	16MAY2011	DM	BJ
D		LC20-0115-11 / ECO-11-017362	24AUG2011	DM	BJ

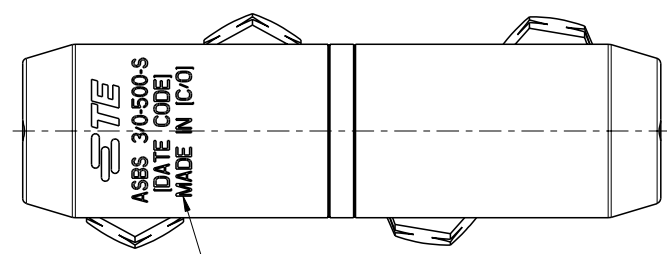


- ACCOMMODATES:  
3/0 AWG COMPACT (Ø10.74 [0.423 DIA])  
TO  
500 KCMIL STD STR (Ø20.65 [0.813 DIA])  
ALUMINUM OR COPPER CONDUCTORS.
- MARKING:  
**STE**  
ASBS 3/0-500-S  
[DATE CODE]  
MADE IN [COUNTRY OF ORIGIN]
- INSERT SHALL BE REMOVED FOR CONDUCTOR SIZES GREATER THAN 300 KCMIL STD STR, (Ø16 [0.630 DIA])
- CONNECTOR CONTAINS FACTORY APPLIED ANTI-OXIDE INHIBITOR.
- INSTALL BOLTS WITH "3/4 INCH" HEX SOCKET.



CU2713-000	ASBS 3/0-500-S	1974130-1
RPN	CATALOG NO.	PART NO.

QTY	DESCRIPTION	ITEM NO
1	INSTALLATION INSTRUCTION SHEET, 408-10429	6
1	ABRASIVE TAPE	5
4	SHEAR BOLT, ALUMINUM, M18, 19 mm A/F	4
A/R	CONTACT GREASE	3
2	INSERT, ALUMINUM, 3/0 AWG TO 500 KCMIL	2
1	CONNECTOR SLEEVE BODY, ALUMINUM, 3/0 AWG TO 500 KCMIL	1
-1	DESCRIPTION	
PARTS LIST		



THIS DRAWING IS A CONTROLLED DOCUMENT.

DIMENSIONS: mm [INCH]	TOLERANCES UNLESS OTHERWISE SPECIFIED: 0 PLC ± 1 PLC ± 2 PLC ± 3 PLC ± 4 PLC ±	APVD B JOHNSON	DATE 12 MAR 2011	NAME SHEARBOLT CONNECTOR, ALUMINUM, 3/0 AWG COMPACT TO 500 KCMIL STD STR CONDUCTORS	RESTRICTED TO
MATERIAL SEE TABLE	FINISH TIN PLATE	WEIGHT	SIZE A200779	CAGE CODE C=1974130	SCALE NTS

Customer Drawing