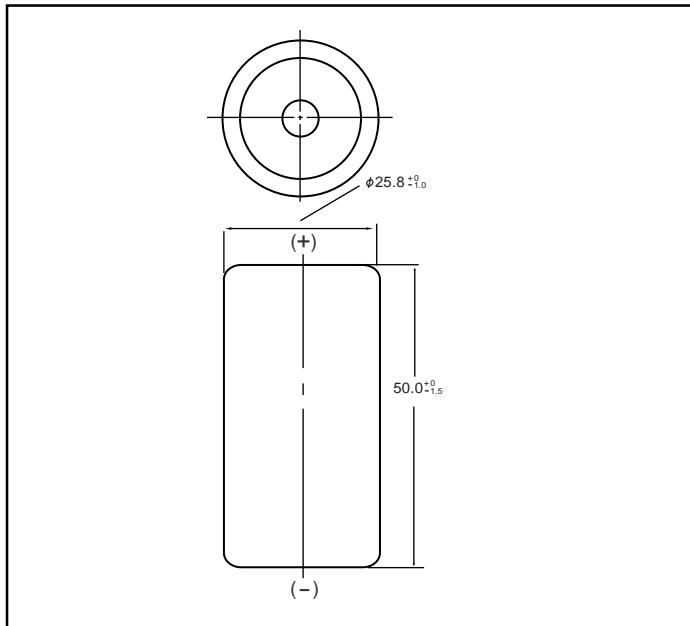


NICKEL CADMIUM BATTERIES: INDIVIDUAL DATA SHEET

P-280CR C size (KR26/50) Type: R

Dimensions (with tube) (mm)



Specifications

	mm	inch
Diameter	25.8 +0/-1.0	1.02 +0/-0.04
Height	50.0 +0/-1.5	1.97 +0/-0.06
Approximate Weight	Grams	Ounces
	79g	2.79

Nominal Voltage		1.2V		
Discharge Capacity*	Average**	3000mAh		
	Rated (Min.)	2800mAh		
Approx. Internal impedance at 1000Hz at charged state		4mΩ		
Charge	Standard	280mA (0.1It) x 16 hrs.		
	Rapid***	200mA (0.33It) x 4.5 hrs.		
Ambient Temperature	Charge	Standard	°C	°F
			0°C to 45°C	32°F to 113°F
	Rapid	10°C to 40°C	50°F to 104°F	
		Discharge		-20°C to 65°C
Storage	< 2 years	-20°C to 35°C	-4°F to 95°F	
	< 6 months	-20°C to 45°C	-4°F to 113°F	

* 0.2It discharge capacity after charging at 0.1It for 16 hours.

** For reference only.

*** Refer to "Charge Methods for Ni-Cd Batteries"

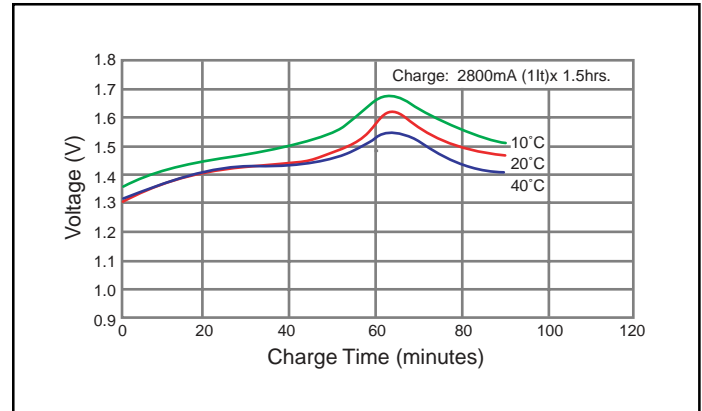
Battery performance and cycle life are strongly affected by how they are used. In order to maximize battery safety, please consult Panasonic when determining charge / discharge specs, warning label contents and unit design.

Note: [It] was previously expressed as [C]. [It] is an IEC standard expression for the amount of charge or discharge current and is expressed as:

$$It(A) = Cn (Ah)/1h.$$

- [It] is the reference test current in amperes
- [Cn] is the rated capacity of the cell or battery in Ampere-hours.
- n = the time base [hours] for which the rated capacity is declared

Typical Charge Characteristics



Typical Discharge Characteristics

