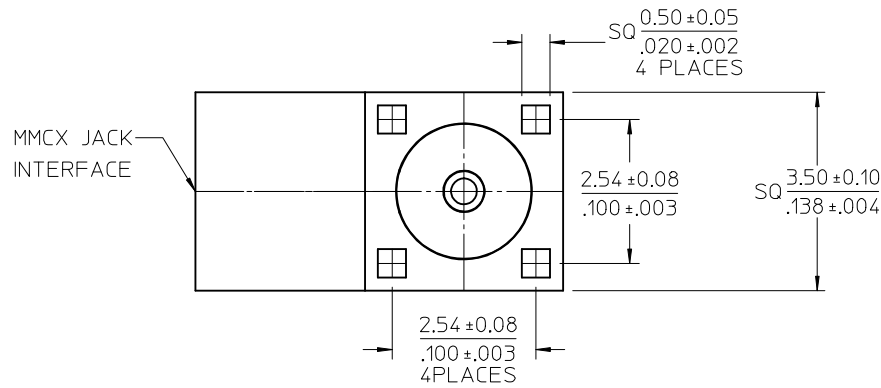
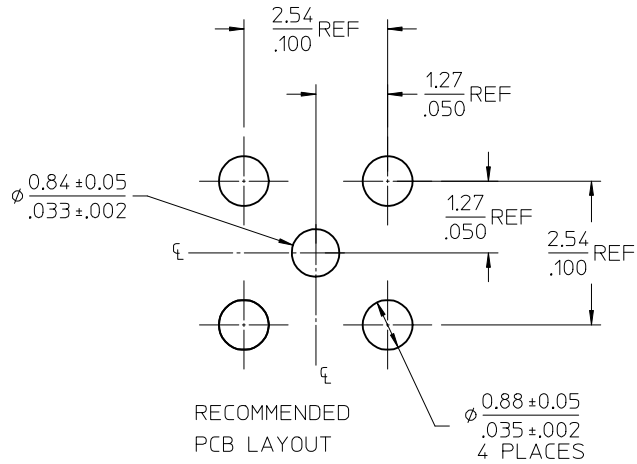
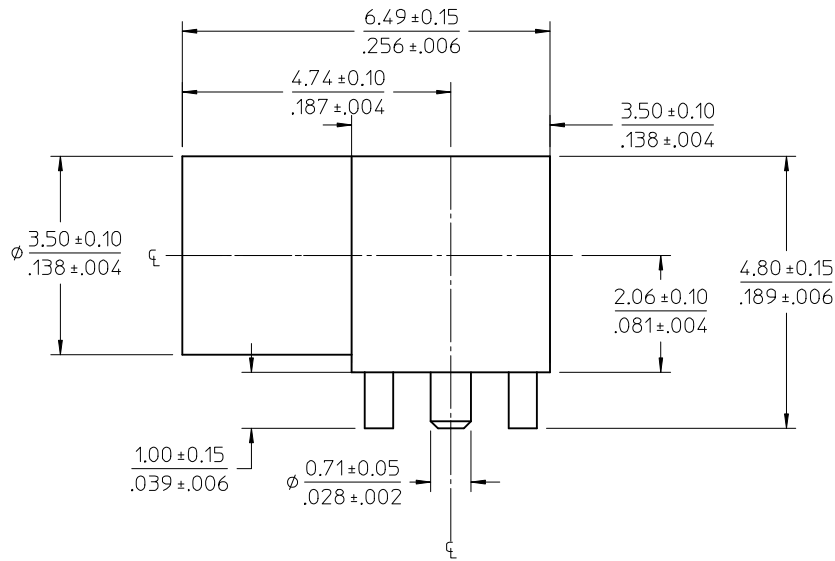
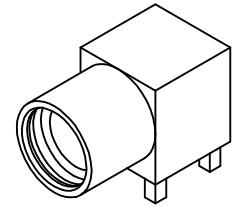


MATERIALS AND FINISHES

BODY BRASS  
PLATED GOLD

CENTER CONTACT BERYLLIUM COPPER  
PLATED GOLD

INSULATOR TEFLON



PS-89675-1920	ELECTRICAL/MECHANICAL
CECC-22-340	INTERFACE
SPECIFICATION	DESCRIPTION

CHG:1)ADD DIM. AND TOL: 0.99±0.15  
2)UPDATE  
ES-CECC-22-340 WAS  
ES-73599-0000-016  
3)ADD PS  
EWR RF15-E252  
EC NO: URF2015-0744  
DRWN:YCHENG 2015/06/29  
CHKD:  
APPR:YCHENG 2015/07/14

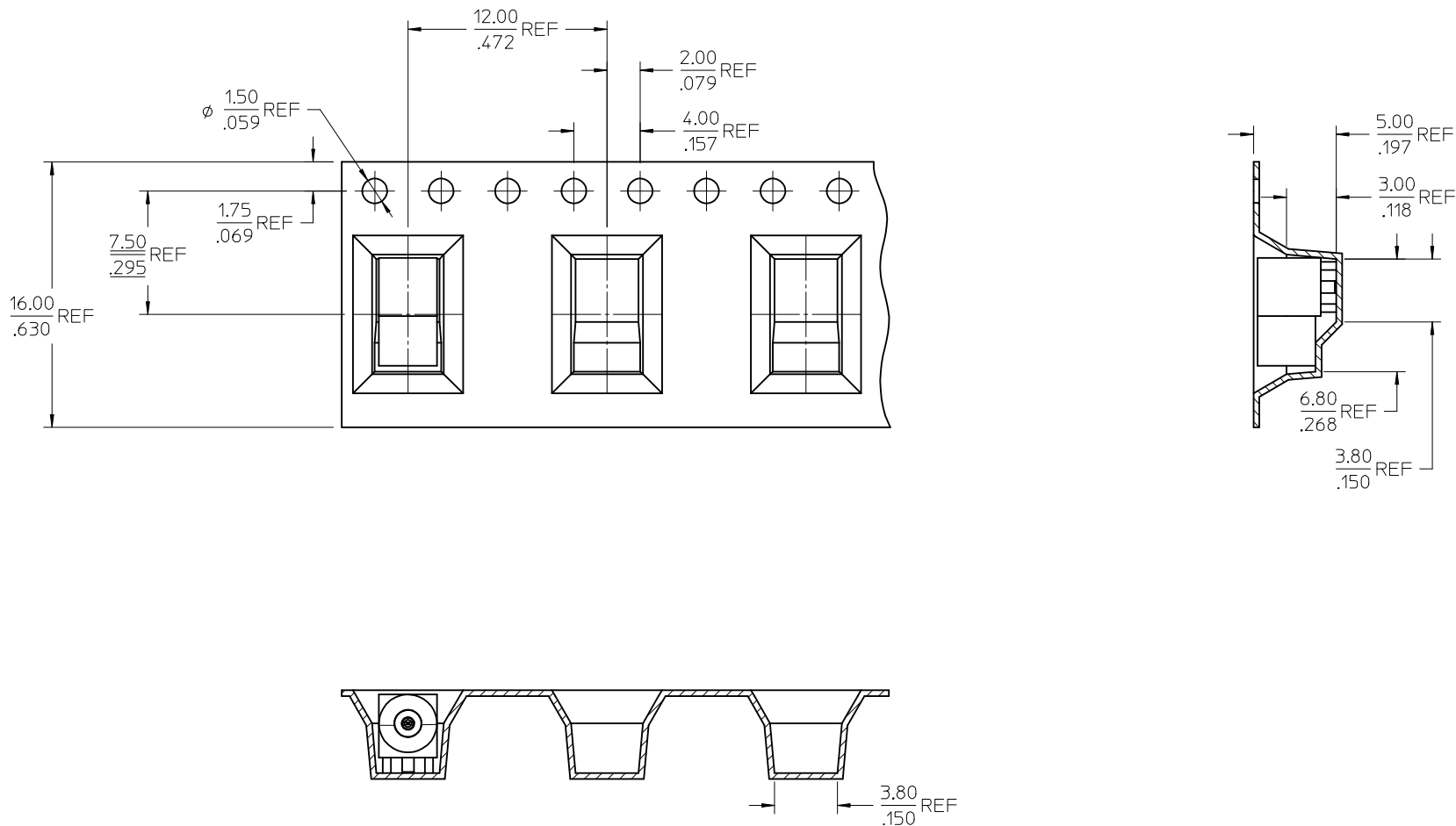
REV	DESCRIPTION
A1	

QUALITY SYMBOLS  
  
 GENERAL TOLERANCES (UNLESS SPECIFIED)  
 4 PLACES ± .010 ± .010  
 3 PLACES ± .010 ± .010  
 2 PLACES ± .010 ± .010  
 1 PLACE ± .010 ± .010  
 ANGULAR ± 2°  
 DRAFT WHERE APPLICABLE MUST REMAIN WITHIN DIMENSIONS

DIMENSION STYLE		SCALE	DESIGN UNITS	THIRD ANGLE PROJECTION
MM/IN			METRIC	
DRAWN BY	DATE	TITLE		
MICHAEL	2007/12/11	MMCX JACK, R/A, PCB		
CHECKED BY	DATE	50 OHMS		
KERRIE	2007/12/11	MMCX-J/PCB, PDR08-107		
APPROVED BY	DATE	MOLEX INCORPORATED		
MISEN	2007/12/11			
MATERIAL NO.	DOCUMENT NO.	SHEET NO.		
734140210	SD-73414-021	1 OF 3		
SIZE	THIS DRAWING CONTAINS INFORMATION THAT IS PROPRIETARY TO MOLEX INCORPORATED AND SHOULD NOT BE USED WITHOUT WRITTEN PERMISSION			
C				

NOTE

1. DIMENSIONS ARE PROVIDED FOR REFERNECE ONLY



SEE SHEET 1  
 EC NO: URF2015-0744  
 DRAWN: YCHENG 2015/06/29  
 CHKD:  
 APPR: YCHENG 2015/07/14

QUALITY SYMBOLS  
 $\blacktriangledown=0$   
 $\triangle=0$

GENERAL TOLERANCES (UNLESS SPECIFIED)

	mm	INCH
4 PLACES	± .010	± .0004
3 PLACES	± .015	± .0006
2 PLACES	± .020	± .0008
1 PLACE	± .030	± .0012

ANGULAR ± 2 °

DRAFT WHERE APPLICABLE MUST REMAIN WITHIN DIMENSIONS

DIMENSION STYLE: MM/IN

DRAWN BY: MICHAEL DATE: 2007/12/11

CHECKED BY: KERRIE DATE: 2007/12/11

APPROVED BY: MISEN DATE: 2007/12/11

MATERIAL NO. SEE SHEET 1

SCALE: METRIC

DESIGN UNITS: METRIC

THIRD ANGLE PROJECTION

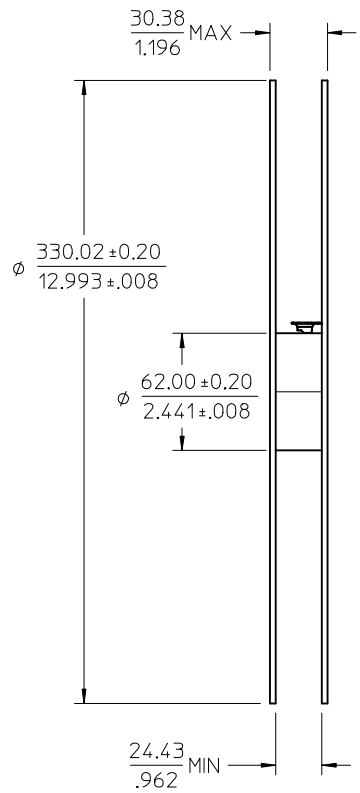
TITLE: MMCX JACK, R/A, PCB  
 50 OHMS  
 MMCX-J/PCB, PDR08-107

MOLEX MOLEX INCORPORATED

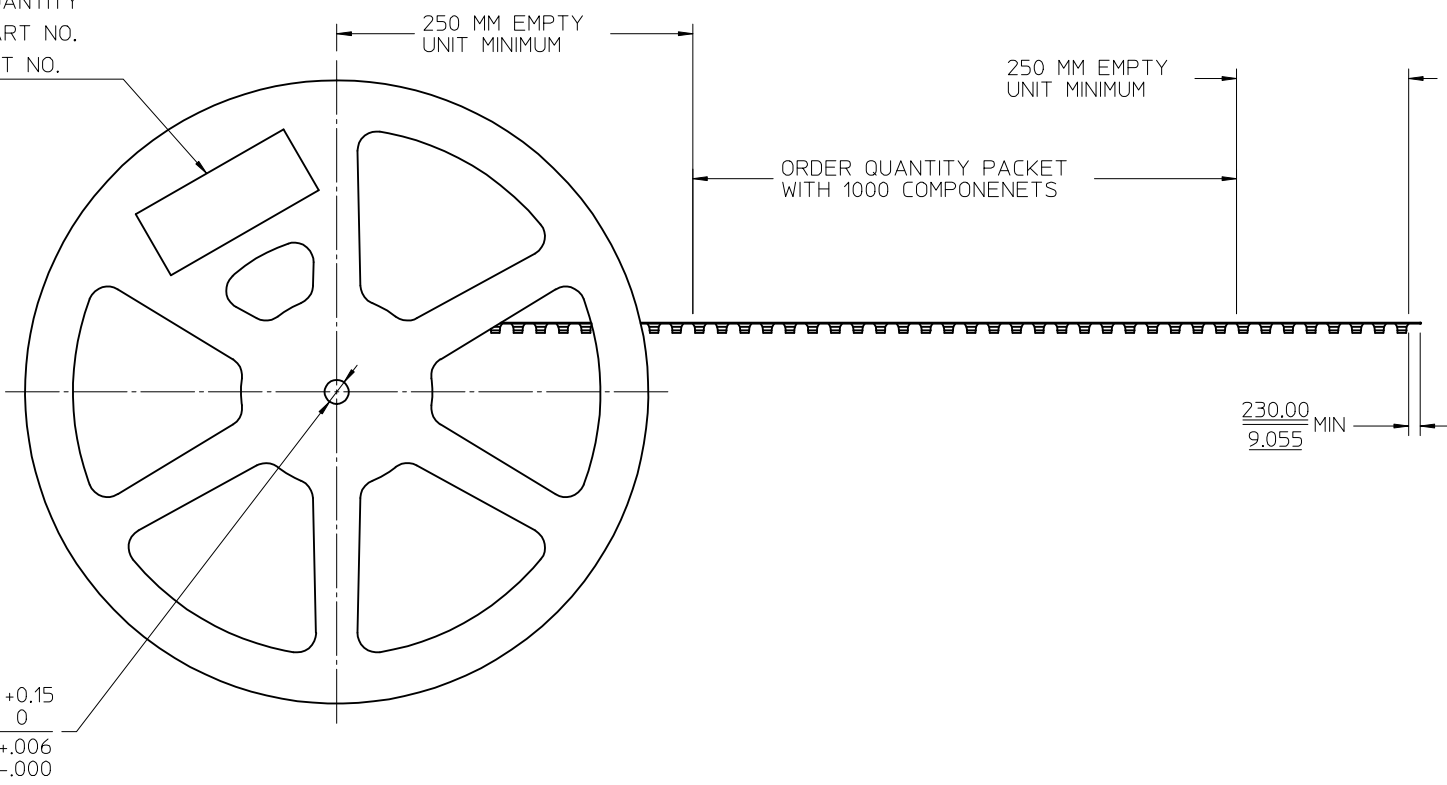
DOCUMENT NO. SD-73414-021

SHEET NO. 2 OF 3

THIS DRAWING CONTAINS INFORMATION THAT IS PROPRIETARY TO MOLEX INCORPORATED AND SHOULD NOT BE USED WITHOUT WRITTEN PERMISSION



LABEL  
 - ORDER NO.  
 - QUANTITY  
 - PART NO.  
 - LOT NO.



SEE SHEET 1 EC NO: URF2015-0744 DRAWN: YCHENG 2015/06/29 CHKD: APPR: YCHENG 2015/07/14 REV: A1	QUALITY SYMBOLS ▽=0 ▽=0	GENERAL TOLERANCES (UNLESS SPECIFIED) <table border="1"> <tr> <td></td> <td>mm</td> <td>INCH</td> </tr> <tr> <td>4 PLACES</td> <td>± .005</td> <td>± .0002</td> </tr> <tr> <td>3 PLACES</td> <td>± .005</td> <td>± .0002</td> </tr> <tr> <td>2 PLACES</td> <td>± .005</td> <td>± .0002</td> </tr> <tr> <td>1 PLACE</td> <td>± .005</td> <td>± .0002</td> </tr> </table>		mm	INCH	4 PLACES	± .005	± .0002	3 PLACES	± .005	± .0002	2 PLACES	± .005	± .0002	1 PLACE	± .005	± .0002	DIMENSION STYLE MM/IN	SCALE METRIC	DESIGN UNITS METRIC	THIRD ANGLE PROJECTION
		mm	INCH																		
	4 PLACES	± .005	± .0002																		
	3 PLACES	± .005	± .0002																		
2 PLACES	± .005	± .0002																			
1 PLACE	± .005	± .0002																			
DRAFT WHERE APPLICABLE MUST REMAIN WITHIN DIMENSIONS	DRAWN BY MICHAEL	DATE 2007/12/11	TITLE MMCX JACK, R/A, PCB 50 OHMS MMCX-J/PCB, PDR08-107	MOLEX INCORPORATED	MATERIAL NO. SEE SHEET 1	DOCUMENT NO. SD-73414-021															
ANGULAR ± 2°	APPROVED BY MI SEN	DATE 2007/12/11	SHEET NO. 3 OF 3	THIS DRAWING CONTAINS INFORMATION THAT IS PROPRIETARY TO MOLEX INCORPORATED AND SHOULD NOT BE USED WITHOUT WRITTEN PERMISSION																	