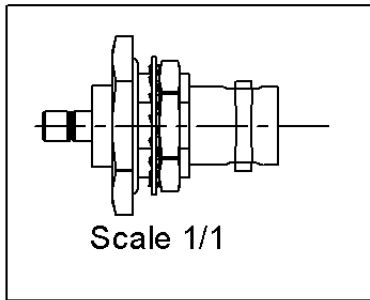
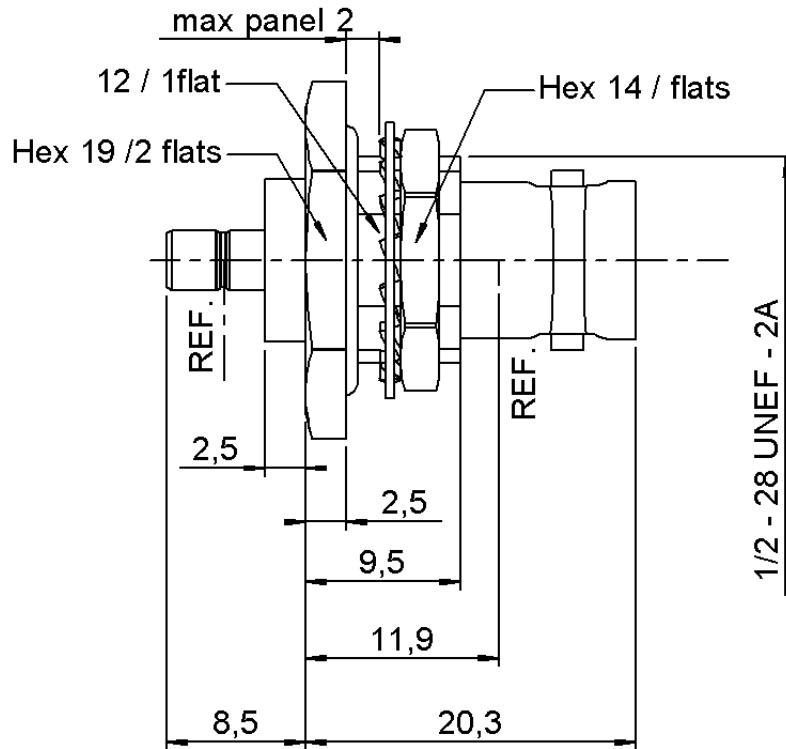


**SMB MALE - BNC FEMALE BULKHEAD PANEL
AND INTERNAL SEAL STRAIGHT ADAPTER**

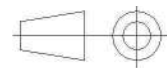
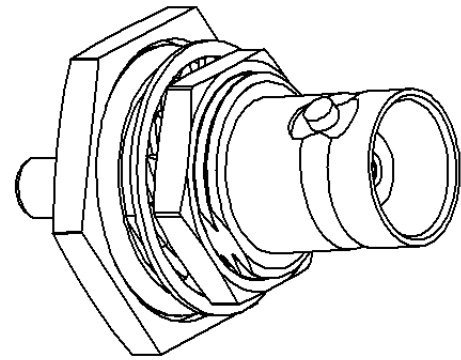
R191.213.000

Série : ADAPT



PANEL CUT OUT

mm		
	Maxi	mini
A	12.6	12.7
B	12.1	12.2



All dimensions are in mm.

COMPONENTS	MATERIALS	PLATINGS (µm)
BODY	BRASS	NICKEL 2
CENTER CONTACT	BERYLLIUM COPPER	GOLD 1.3 OVER NICKEL 2
OUTER CONTACT	-	-
INSULATOR	PTFE	-
GASKET	SILICONE RUBBER	-
OTHERS PARTS	BRASS	NICKEL 2
-	-	-
-	-	-

Issue : 0824 B

In the effort to improve our products, we reserve the rights to make changes judged to be necessary.



**SMB MALE - BNC FEMALE BULKHEAD PANEL
AND INTERNAL SEAL STRAIGHT ADAPTER**

R191.213.000

Série : ADAPT

PACKAGING

Standard	Unit	Other
1	-	Contact us

SPECIFICATION

ELECTRICAL CHARACTERISTICS

Impedance	50	Ω
Frequency	0-4	GHz
VSWR	1.20 + 0,0000	x F(GHz) Maxi
Insertion loss	0.250	\sqrt{F} (GHz) dB Maxi
RF leakage	- (57)	- F(GHz)) dB Maxi
Voltage rating	500	Veff Maxi
Dielectric withstanding voltage	1000	Veff mini
Insulation resistance	1000	M Ω mini

ENVIRONMENTAL

Operating	-65/+155	$^{\circ}$ C
Hermetic seal	NA	Atm.cm3/s
Panel leakage	IP66	

MECHANICAL CHARACTERISTICS

Center contact retention		
Axial force – Mating end	10	N mini
Axial force – Opposite end	10	N mini
Torque	NA	N.cm mini
Recommended torque		
Mating	SMB	0 N.cm
	BNC	0 N.cm
	-	0 N.cm
Panel nut	320	N.cm
Mating life	500	Cycles mini
Weight	16,1300	g

OTHERS CHARACTERISTICS

Issue : 0824 B

In the effort to improve our products, we reserve the rights to make changes judged to be necessary.



RADIALL®