

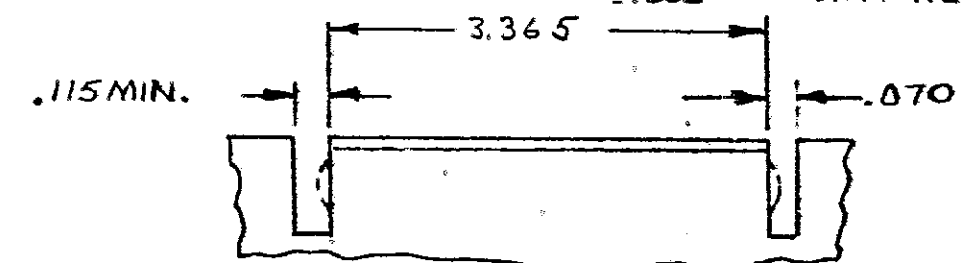
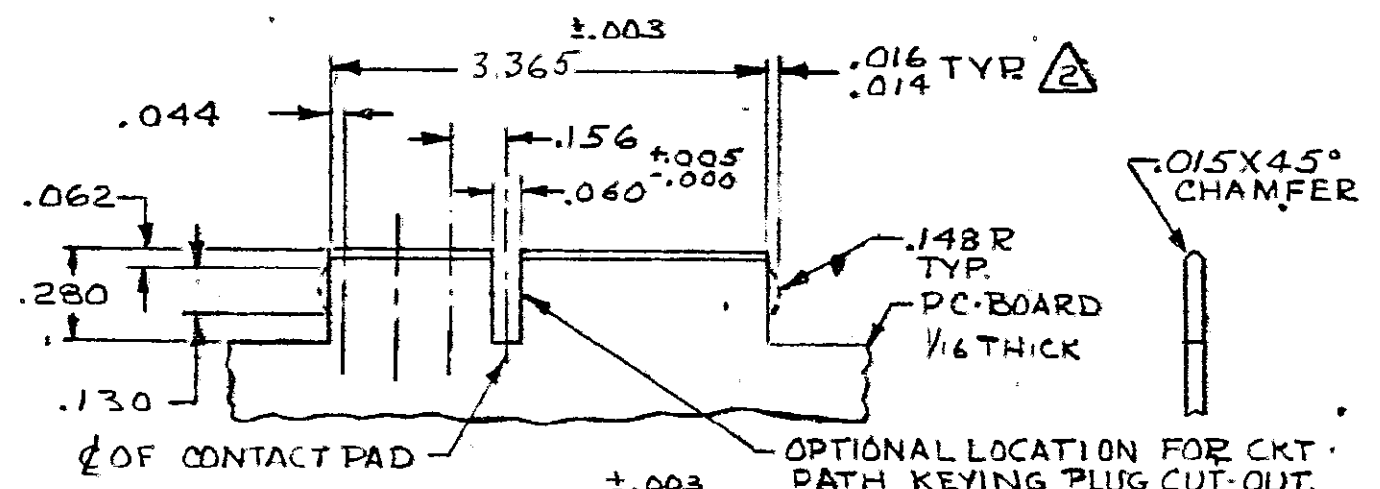
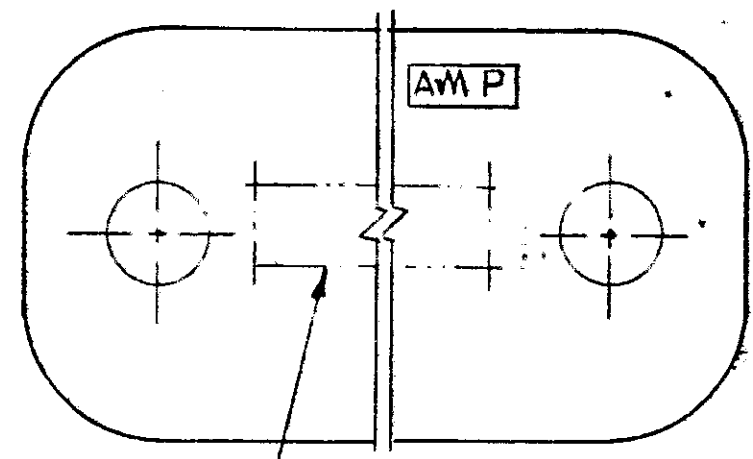
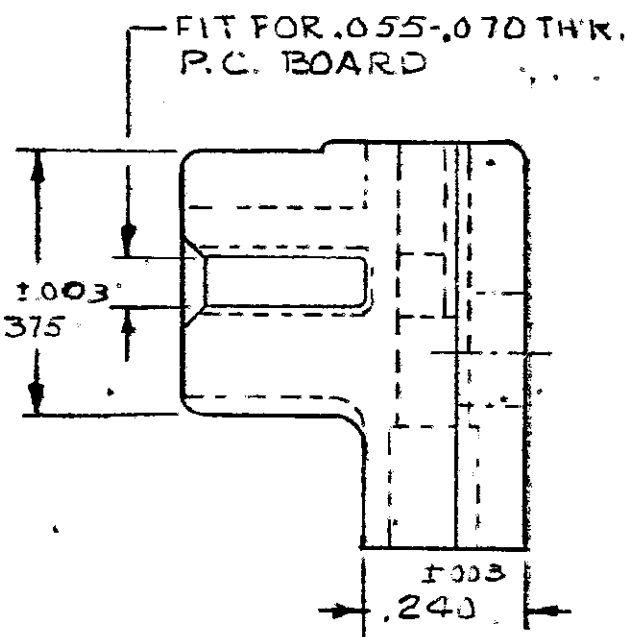
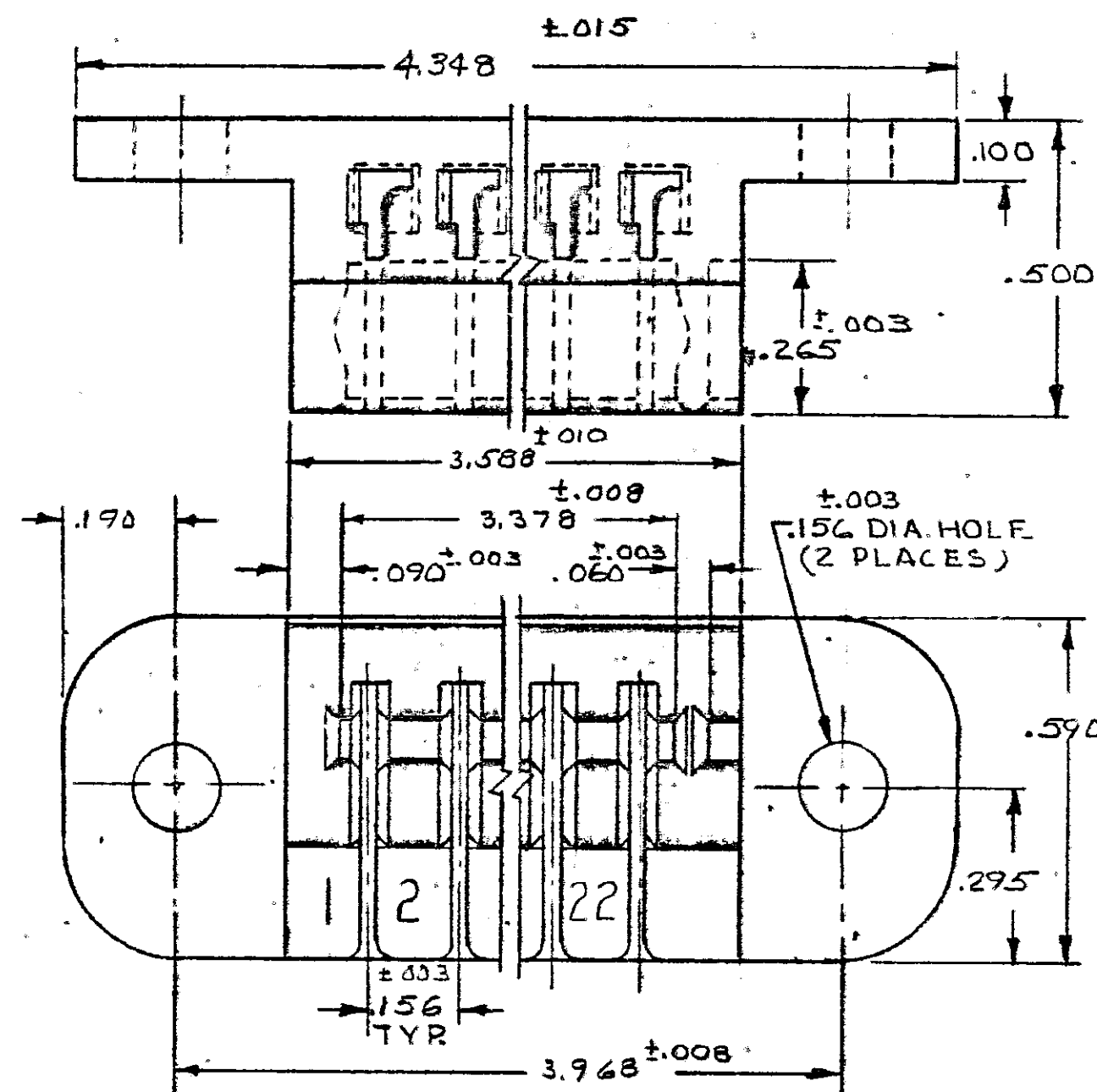
DRAWING MADE IN AMERICAN PROJECTION

© 1962 BY AMP INCORPORATED. ALL RIGHTS RESERVED. AMP PRODUCTS COVERED BY PATENTS AND OR PATENTS PENDING.

REVISIONS				
ZONE	LTR	DESCRIPTION	DATE	APPROVED
	H1	REDRAWN WITHOUT CHANGE	3588 DR 2-8-72	JH
	J	REV PER AD 1746	931-87	LB/WALK
	K	REV PER 0010-1143-95	11-95	P.B.
	L	REV PER EC 0G3C-233-01	08OCT01	MM

PART N ^o .	COLOR.
582388 1	BROWN
582388 2	RED
582388 3	ORANGE
582388 4	YELLOW
582388 5	GREEN
582388 6	BLUE
582388 7	VIOLET
582388 8	GRAY
582388 9	NATURAL
582388 0	BLACK

OBSOLETE



1. REFER TO 60215 & 583284 FOR TERMINAL.
2. THE RETAINING DIMPLES ARE OPTIONAL IN BOTH CUT-OUTS.
3. CARD SLOT AND MOUNTING HOLE DIMENSIONS TO BE CHECKED WITH HOUSING RESTRAINED. (AS MOUNTED)

NUMBER 582388

UNLESS OTHERWISE SPECIFIED, DIMENSIONS ARE IN INCHES TOLERANCES ON DECIMALS ± .005 ANGLES ±	CONTRACT NO.	AMP INCORPORATED HARRISBURG, PENNSYLVANIA		
	MATERIAL	AMP		
	NYLON	HOUSING, DUS-TYNE FLAG, WITH MOUNTING HOLES, 22 POSITION.		
		SIZE	CODE IDENT. NO.	NUMBER
		C	.00779	582388
		SCALE	4-1	SHEET 1 OF 1

CUSTOMER DRAWING