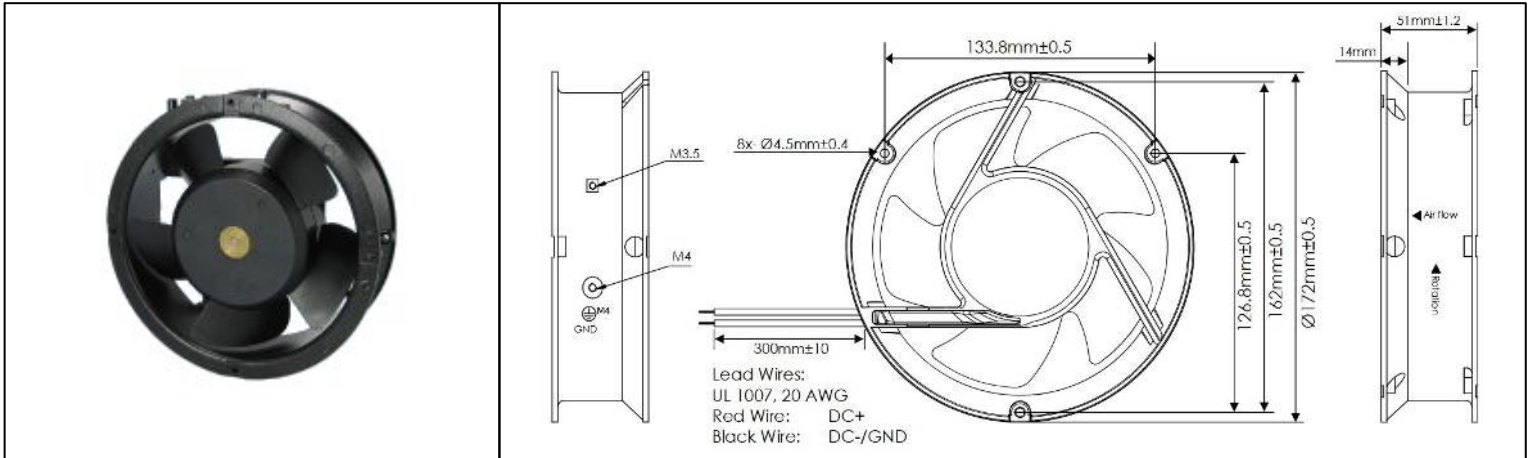


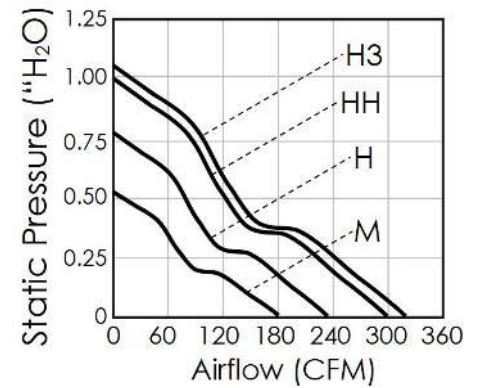
OD172AP Series



DC Fans - 12, 24, 48V
172mm x 51mm (6.8" x 2.0")



Frame	Die Cast Aluminum, Black Finish	Operating Temperature -20°C ~ +65°C Storage Temperature -20°C ~ +75°C Life Expectancy 80,000 Hours (L10 at 35°C) Available Options Tachometer Output Alarm Output PWM Speed Control 0-10V Speed Control Thermistor Speed Control IP Ratings Weight: 1.9 lbs
Impeller	PBT, UL94 V-0 Plastic	
Connection	2x Lead Wires, 20 AWG	
Motor	Brushless DC, Auto Cutoff, Auto Restart, Polarity Protected, Electronically Protected	
Bearing System	Ball Bearings	
Dielectric Strength	500VDC/min, <1mA	
Insulation Resistance	≥10M Ohm @ 500 VDC	



Part Number	Rated Voltage (Volts DC)	Voltage Range (Volts DC)	Input Power (Watts)	Rated Current (Amps)	Rated Speed (RPM)	Max Airflow (CFM)	Noise Level (dBA)	Max Static Pressure (\"H ₂ O)
OD172AP-12H3*B	12	10 ~ 13.8	64.8	5.40	4125	318	60.1	1.05
OD172AP-12HH*B	12	10 ~ 13.8	50.4	4.20	3900	298	57.4	0.97
OD172AP-12H*B	12	10 ~ 13.8	23.0	1.90	3250	230	52.7	0.78
OD172AP-12M*B	12	10 ~ 13.8	13.2	1.10	2475	180	41.3	0.52
OD172AP-24H3*B	24	20 ~ 26.4	63.6	2.65	4125	318	60.1	1.05
OD172AP-24HH*B	24	20 ~ 26.4	50.4	2.10	3900	298	57.4	0.97
OD172AP-24H*B	24	20 ~ 26.4	24.0	0.97	3250	230	52.7	0.78
OD172AP-24M*B	24	20 ~ 26.4	13.0	0.52	2475	180	41.3	0.52
OD172AP-48H3*B	48	40 ~ 52.0	62.4	1.30	4125	318	60.1	1.05
OD172AP-48HH*B	48	40 ~ 52.0	49.4	1.03	3900	298	57.4	0.97
OD172AP-48H*B	48	40 ~ 52.0	23.5	0.48	3250	230	52.7	0.78
OD172AP-48M*B	48	40 ~ 52.0	14.5	0.30	2475	180	41.3	0.52

*Insert "T" for Terminal power connection, or leave blank for wire leads.