

PART NAME: KNOB

SCALE: 1:1

DATE: 8/1/50

DR. BY HAC



DESIGNERS & MANUFACTURERS OF KNOBS, HANDLES, CASES & CUSTOM PLASTIC COMPONENTS

P/N 1475AN

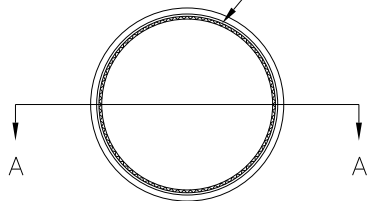
THIS DRAWING IS THE PROPERTY OF DAVIES MOLDING COMPANY, IS SUBMITTED SOLELY AS A DESIGN OR ENGINEERING PROJECT. WE ACCEPT NO RESPONSIBILITY WHATSOEVER FOR THE PRACTICAL APPLICATION OF THE PIECES MADE TO THIS DESIGN.

BASE PART 1475-02

SET SCREW I0358

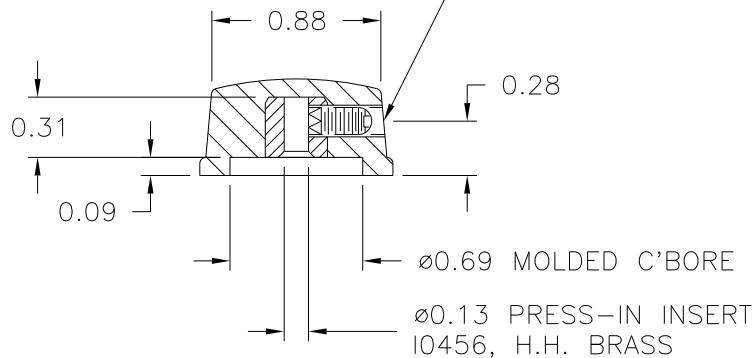
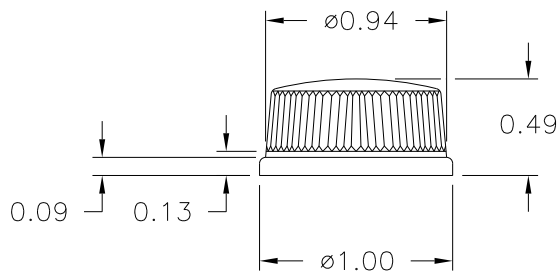
(A)

86, SEPARATIONS EQUALLY SPACED



SECTION A-A

USE #28 DRILL ($\phi 0.140$), #8-32 TAP, #8-32 X 5/16 LG. HEADLESS, CUP POINTED, SLOTTED TYPE SET SCREW, I0358



MATERIAL: G.P. PHENOLIC (B11)
COLOR: BLACK

| | | | | |
|---|----------------------------------|---------|--------------------|-------------|
| TOLERANCES: UNLESS OTHERWISE SPECIFIED | DO NOT SCALE DRAWING | | | |
| DECIMALS: X.XXX ± .005 X.XX ± .015 | MM: X.XX ± 0.15MM X.X ± 0.4MM | A | ADDED BASE PART | JAM 5/20/13 |
| | | - | CAD/REDRAWN | JAM 11/6/00 |
| FRACTIONS ± 1/64 | ANG. ± 1° | CHANGES | | |