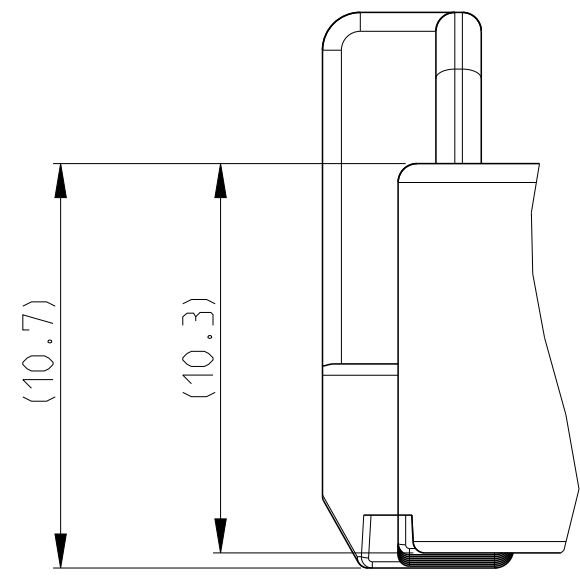
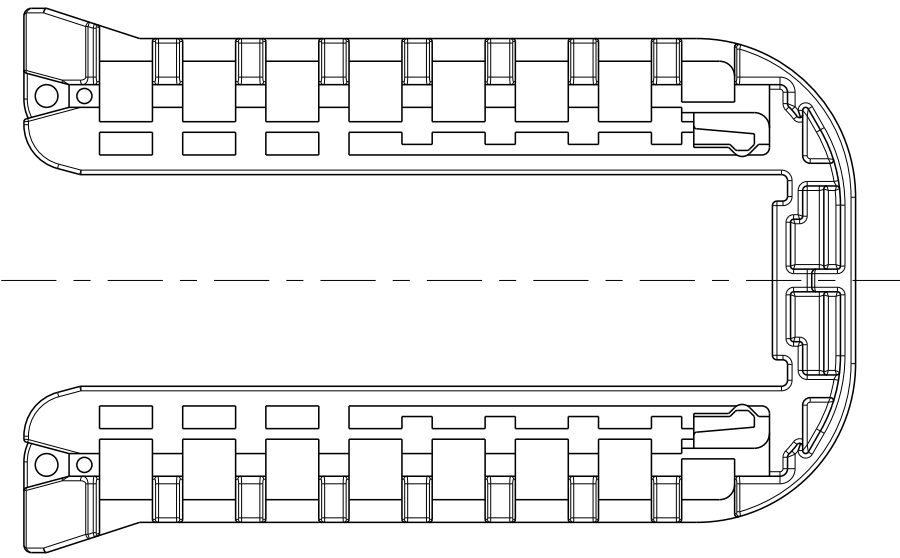


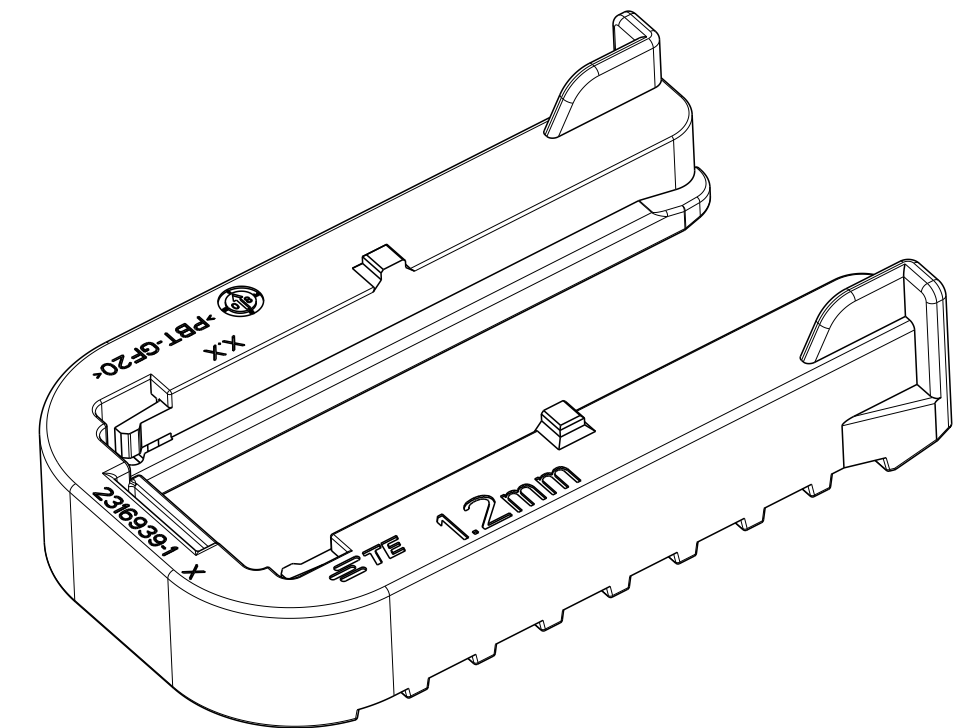
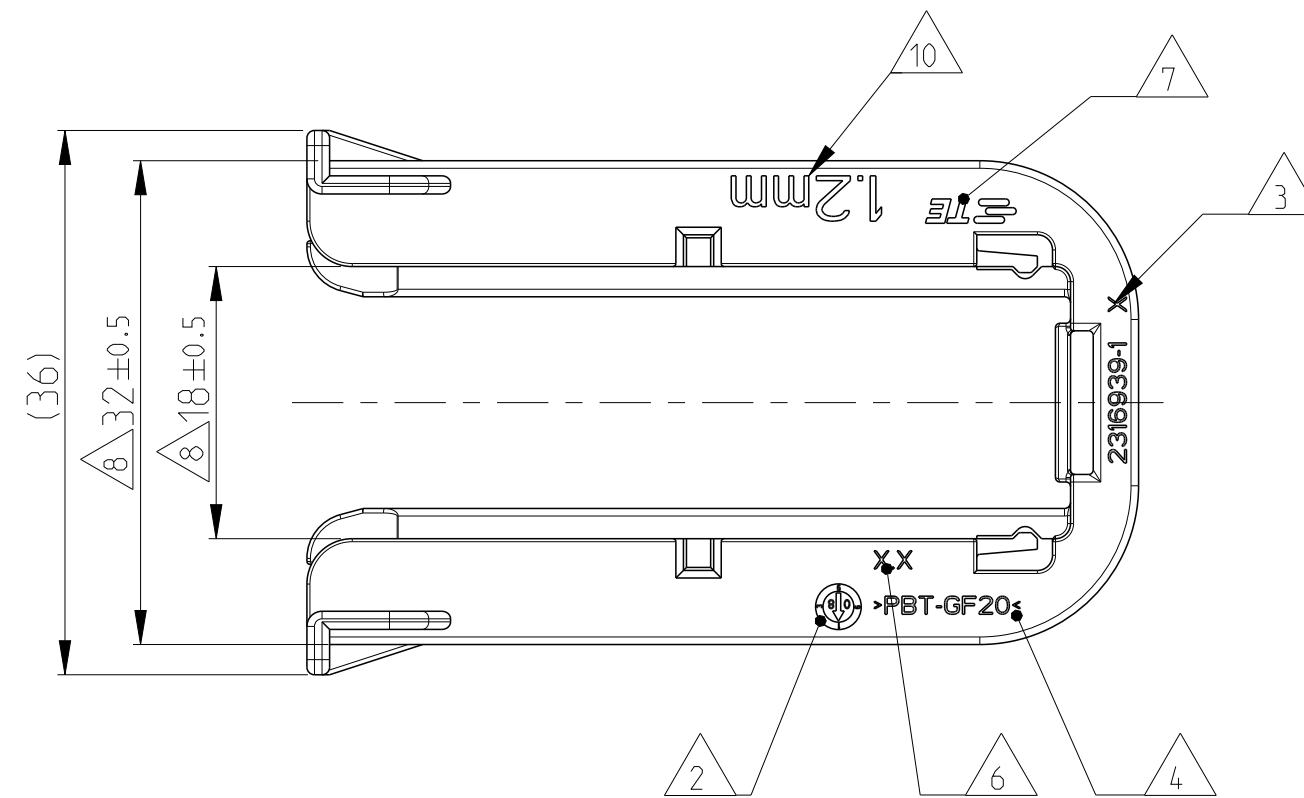
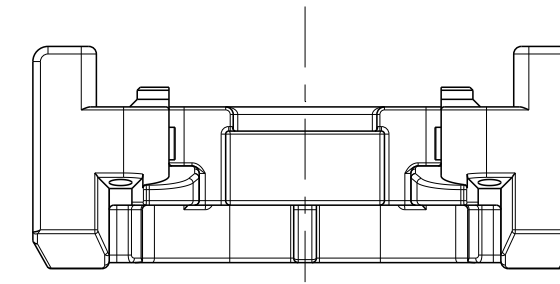
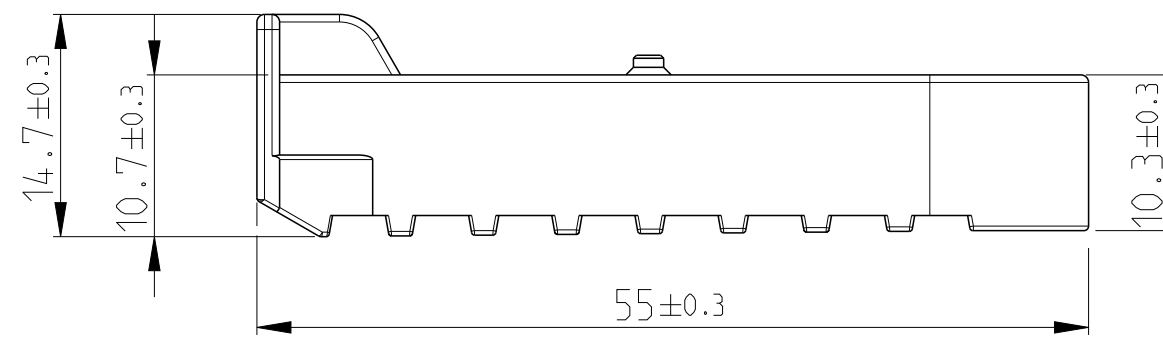
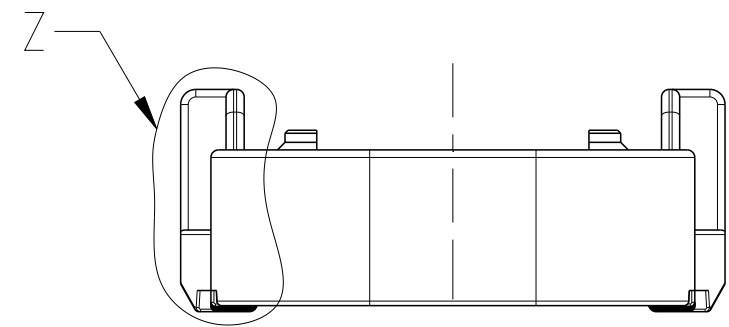
REVISIONS					
P	LTR	DESCRIPTION	DATE	DWN	APVD
	A	INITIAL RELEASE	27FEB2017	C.W	I.Y
	A1	ECN-22-136448	28JAN2022	J.S	Z.Z



Z  
5:1



1. MATERIAL : PBT-GF20 OR EQUIVALENCES RESIN.
2. PRODUCT DATE
3. LETTER-INSERT FOR THE REVISION STATUS OF THE MOULD
4. MATERIAL MARKING ACCORDING TO VDA260
5. BULK PACKAGING IN CORRUGATED BOX
6. MOULD CAVITY MARKING
7. TE LOGO
8. WARGAGE PERMITTED UP TO -1.5MM FROM NOMINAL SIZE
9. SUITABLE FOR TAB HOUSING WITH FLANGE GROUP E, SEE PRODUCT GROUP DRAWING 1563709.
10. MARKING FOR SUITABLE SHEET METEAL THICKNESS(NOMINAL SIZE)



2316939-1	A	PBT-GF20/V-0	Orange	8.0	1
TE ORDER-NO.	REV.	MATERIAL	COLOUR	WEIGHT (g)	ITEM

THIS DRAWING IS A CONTROLLED DOCUMENT.		DWN C.WAN 27FEB2017	TE Connectivity NAME SLIDE, TAB HOUSING - Group E FOR 1.2MM SHEETMETAL Heavy Duty Sealed Connector Series A1		
DIMENSIONS: mm		CHK S.WANG 27FEB2017			
TOLERANCES UNLESS OTHERWISE SPECIFIED: ACC. TO DIN 16901-140		APVD J.YIN 27FEB2017	PRODUCT SPEC 108-94020		
1 PLC ±		APPLICATION SPEC 114-18756		SIZE A2	RESTRICTED TO
2 PLC ±		WEIGHT -		CAGE CODE -	SCALE 2:1 SHEET 1 OF 1 REV A1
3 PLC ±		MATERIAL SEE TABLE		DRAWING NO C-2316939	
4 PLC ±		CUSTOMER DRAWING			
ANGLES ±2°					
FINISH -					