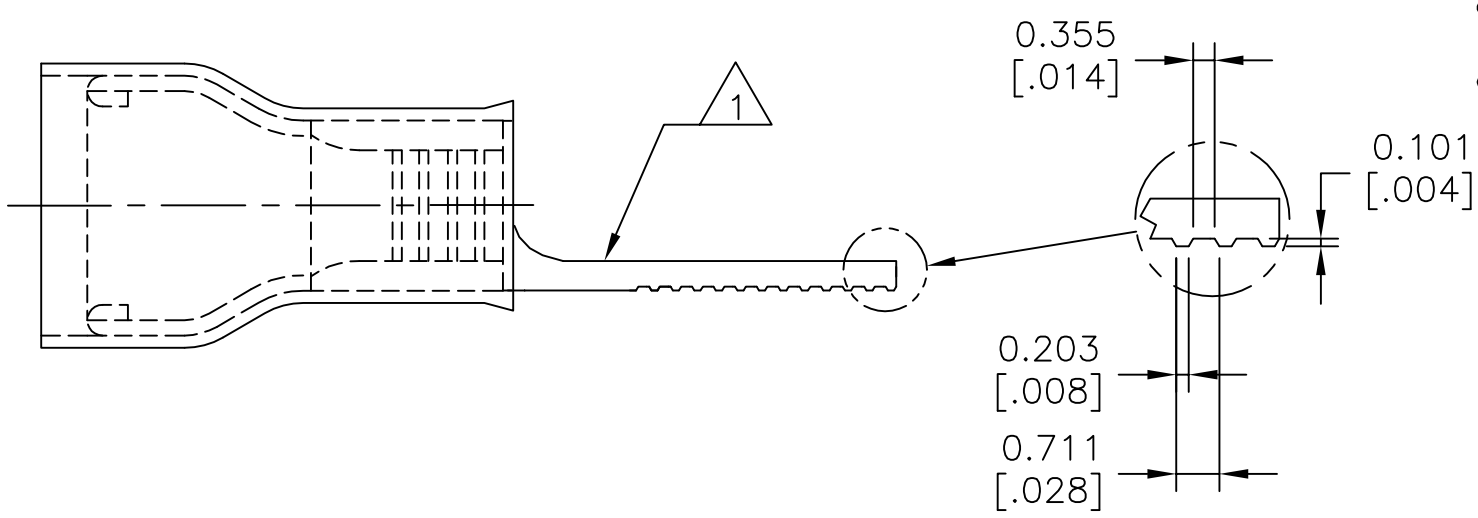
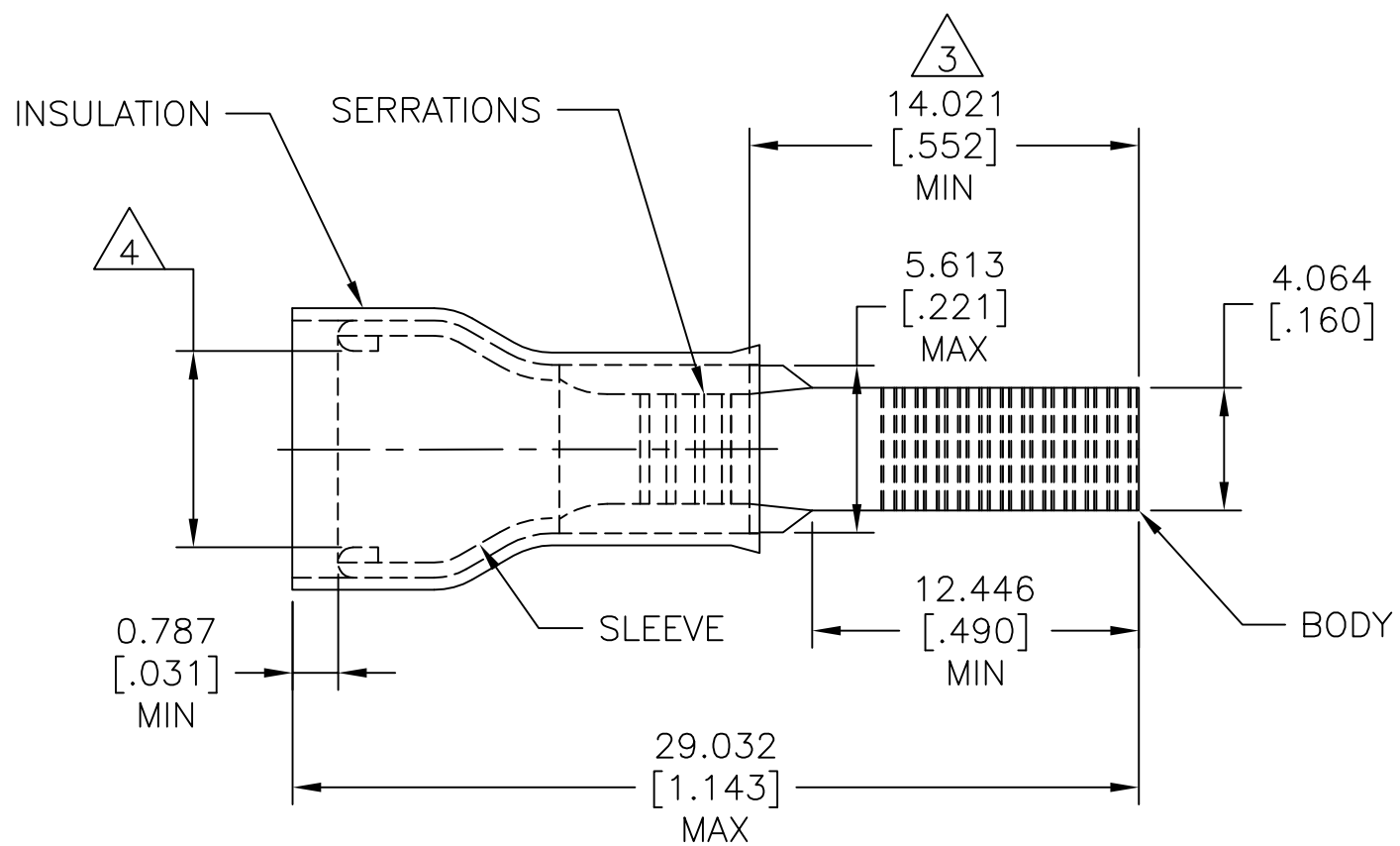


REVISIONS

P	LTR	DESCRIPTION	DATE	DWN	APVD
	D1	REV PER ECR 07-015095	25JUN07	JR	TM
	D2	REVISED PER ECO-17-008809	20JUN2017	RS	DR



- 1 STAMP "AMP 12-10\*", LOCATION APPROX AS SHOWN.
- 2 BODY MATERIAL THICKNESS IS 1.016±0.050 [.040±.002]
- 3 APPLIES FROM EDGE OF METAL WIRE BARREL.
- 4 WIRE INSULATION DIA RANGE  $\phi$ 3.810-6.400 [ $\phi$ .150-.252]
- 5 BODY - COPPER PER ASTM B-152  
SLEEVE - COPPER PER ASTM B-152  
INSULATION - NYLON
- 6 BODY - TIN PL PER ASTM B-545  
SLEEVE - TIN PL PER ASTM B-545  
INSULATION - COLOR - YELLOW
- 7 105°C MAX OPERATING TEMPERATURE.
- 8 300 VOLT MAX
- 9 2.62-6.64mm<sup>2</sup> [5,180 - 13,100 CMA]  
SOLID OR STRANDED

500	LOOSE PIECE	131332
QTY	PACKAGE TYPE	PART NO

THIS DRAWING IS A CONTROLLED DOCUMENT.		DWN jr_ruth 13APR07	<b>STE</b> TE Connectivity	
DIMENSIONS: mm [INCHES]		CHK T MICHELUTTI 13APR07		
TOLERANCES UNLESS OTHERWISE SPECIFIED:		APVD T MICHELUTTI 13APR07	NAME	
0 PLC ± -		PRODUCT SPEC	TERMINAL , WIRE TAB, PIDG, WIRE SIZE 12-10 AWG	
1 PLC ± -		APPLICATION SPEC	SIZE	
2 PLC ± -		114-2157	CAGE CODE	DRAWING NO
3 PLC ± 0.127[.005]		WEIGHT	A300779	C=131332
4 PLC ± -		CUSTOMER DRAWING	SCALE	SHEET
ANGLES ± 5°			4:1	1 OF 1
MATERIAL			RESTRICTED TO	REV
FINISH			-	D2