

**MATERIAL :**  
 Housing : Zinc alloy nickel plated  
 Insert : PA 66 UL94 V0  
 Mating gasket : sealing IP67:Nitril  
 sealing IP68:Silicon  
 O'ring : nitril  
 Jam Nut : Aluminium alloy nickel plated

**PERFORMANCE CHARACTERISTICS :**  
 Operating temperature : -40°C up to 105°C  
 Insulation resistance : 5000 MΩmin  
 Withstanding voltage: 2000 Vrms  
 (1500 Vrms for 102w2 and 103w3 layouts)  
 Corrosion salt spray : 48 hours ( 96 hours for specification 01 )  
 Durability : 500 matings and unmatings  
 Sealing in mated conditions : IP67 / IP68 3 bars/30min as per IEC60529  
 Sealing in mated conditions : IP69K as per DIN40050  
 ROHS compliant

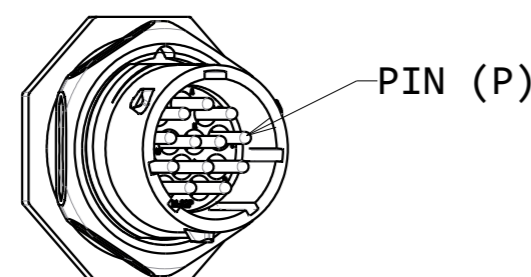
- NOTES :**
- 1- Contact identification and orientation of connector, refer to:  
 UT0-CONTACT-L-C01 (Male)  
 UT0-CONTACT-L-C02 (Female)
  - 2- Contact to be ordered separately refer to : UT0 catalog
  - 3- Insert arrangements refer to: UT0-DHP-001-C01 (Male)  
 UT0-DHP-002-C01 (Female)
  - 4- This drawing covers p/n termination : -H / -H6 / -H01 / -H601
  - 5- Packaging : connector is individually packed in a plastic bag

Part Number (Note 4)	Thread 1 (for information)	Thread 2 (for information)	A ±0.5	B Max (Overall length)		C ±0.2	D ±0.2	Ø E +0.10 -0.02	F +0.40 0	G Max (Panel Thickness)	Torque on nut max (Nm)
				Male	Female						
UT07102W2--H-	11/16-24 UNEF Class 2A	9/16-24 UNEF CLASS 2A	27	34				14.91			6
UT07103W3--H-											
UT07103--H-											
UT07104--H-											
UT071044--H-											
UT07124--H-	7/8-20 UNEF Class 2A	11/16-24 UNEF CLASS 2A	32					18.96			9
UT07128--H-											
UT07142G1--H-	1" 20 UNEF Class 2A	13/16-20 UNEF CLASS 2A	35	36	33	20.9	9.88		19.10	3.20	10
UT07147--H-											
UT07148--H-											
UT071412--H-											
UT071492--H-											
UT071619--H-	1"1/8-18 UNEF Class 2A	15/16-20 UNEF CLASS 2A	38.1	34					25.32		13
UT071823--H-											
UT072028--H-											
UT072030--H-	1" 1/4-18 UNEF Class 2A	1"1/16-18 UNEF CLASS 2A	41.3	39	39	26.47	11.46	31.68	24.51		23
UT072235--H-											
UT072238--H-	1" 3/8-18 UNEF Class 2A	1"3/16-18 UNEF CLASS 2A	46	39	39	26.47	11.46	34.85	24.51	6.40	25
UT072448--H-											
UT072448--H-	1" 1/2-18 UNEF Class 2A	1"5/16-18 UNEF CLASS 2A	49.2	41	41	28.31	12.30	38.03	25.36		26
UT072448--H-											
UT072448--H-	1" 5/8-18 UNEF Class 2A	1"7/16-18 UNEF CLASS 2A	53.4								

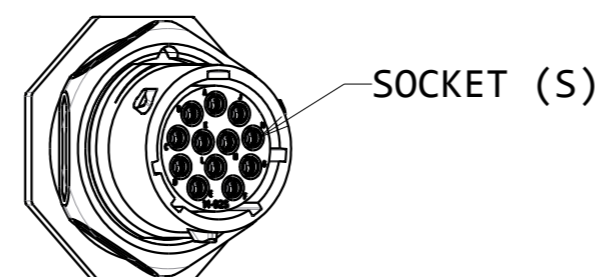
<b>UT07 10 2W2 P W H6 01</b>	
Receptacle UT0 : Type 7	
Shell size :	
Insert arrangement : See Note 1	
Contact : P : Male S : Female	
Insert polarisation: No letter : Standard version W, X, Y, Z : Different orientation	
Sealing version : H : IP67 version H6 : IP68 version	
Specification : No letter : Standard version 01 : Jam nut is black anodized	

<b>A</b>	20/04/2015	_CREATION OF THE DRAWING _Cancel & replace UT07-C01	24021
ISS	DATE	Latest modification - by: COUTY L.	MOD N°
Designed by: CHANTOISEAU P. Date : 21/10/2013		CUSTOMER DRAWING	
<b>TITLE</b> RECEPTACLE UT0 CONNECTOR			
Scale 2/1		General linear Tolerances: ± 0.1	NPRDS / PROJECT UT0
<b>SOURIAU</b>		<b>WWW.SOURIAU.COM</b>	
This document is the property of SOURIAU It must not be reproduced or communicated without permission			
FORMAT <b>A2</b>	<b>SOURIAU DRG N° C001-UT07-A</b>		SHEET 1 / 2

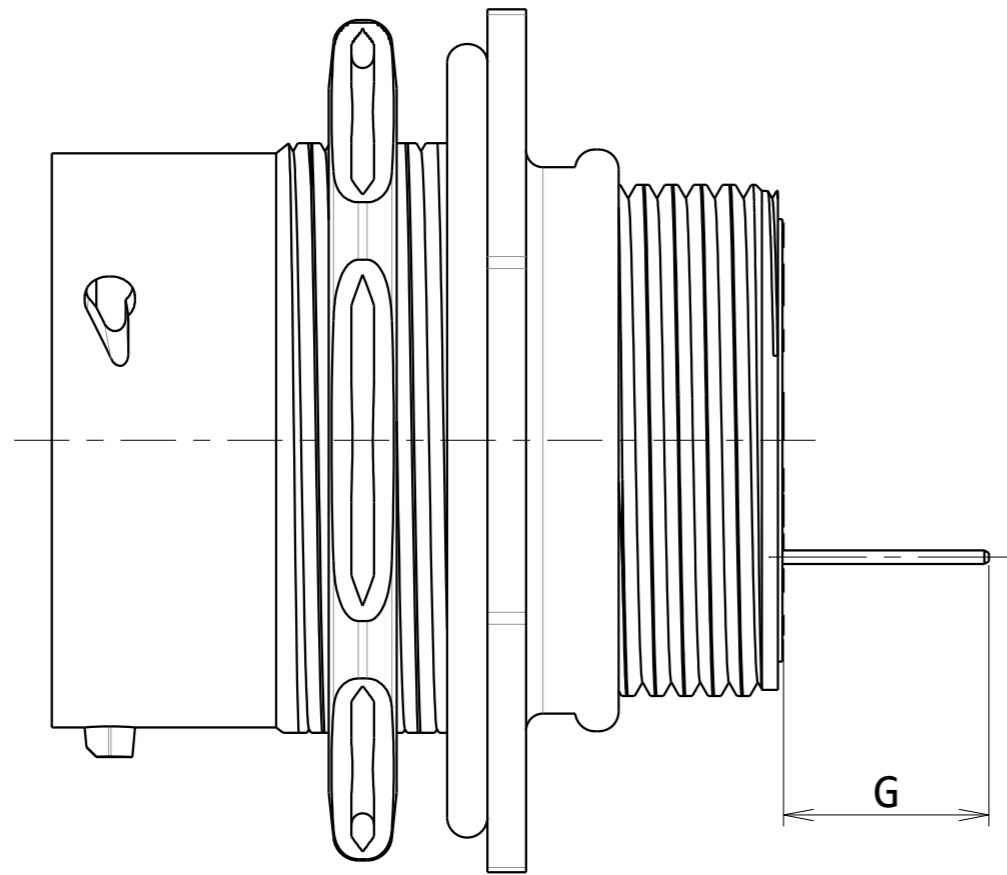
**MALE CONNECTOR**



**FEMALE CONNECTOR**

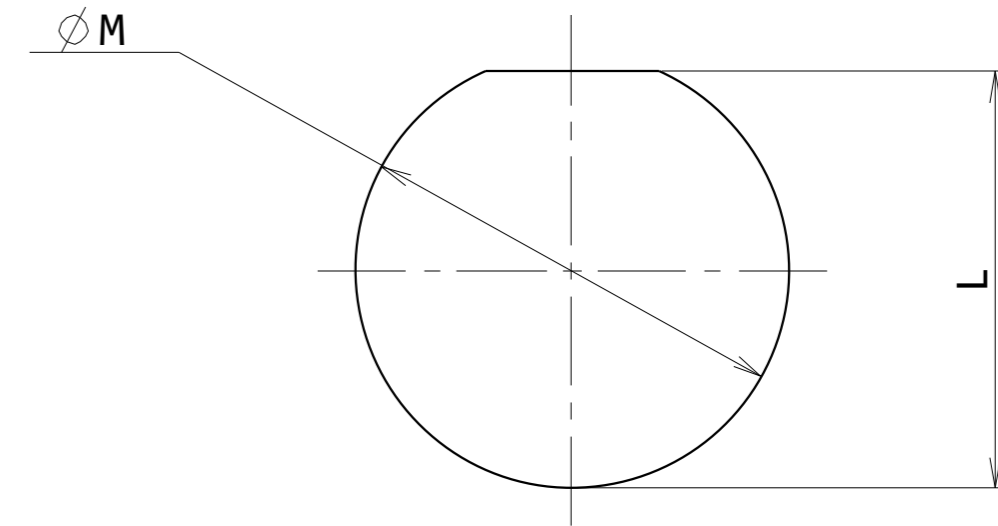


In case the connectors are equipped with dipsolder contacts



CONTACT RM20M12E84x (Male)  
or RC20M12E83x (Female)

Panel Cut Out



Contacts to be ordered separately

MALE CONTACTS		
Part Number	G	
	min	max
UT07104P-H-	11.2	13.5
UT071044P-H-		
UT07128P-H-		
UT071412P-H-		
UT071492P-H-		
UT071619P-H-	7.1	9.2
UT071823P-H-		
UT072028P-H-		
UT072030P-H-		
UT072235P-H-	5.7	7.8
UT072238P-H-		
UT072448P-H-		

FEMALE CONTACTS		
Part Number	G	
	min	max
UT07104S-H-	0.45	2.45
UT071044S-H-		
UT07128S-H-		
UT071412S-H-		
UT071492S-H-		
UT071619S-H-	NOT EXISTING	
UT071823S-H-		
UT072028S-H-		
UT072030S-H-		
UT072235S-H-	NOT EXISTING	
UT072238S-H-		
UT072448S-H-		

Part Number (Male or Female)	L	∅ M
UT07102W2--H-	16.45 <sup>+0.2</sup> <sub>0</sub>	17.30 <sup>+0.25</sup> <sub>0</sub>
UT07103W3--H-		
UT07103--H-		
UT07104--H-		
UT071044--H-	20.85 <sup>+0.3</sup> <sub>0</sub>	22.10 <sup>+0.3</sup> <sub>0</sub>
UT07124--H-		
UT07128--H-		
UT07142G1--H-	24.00 <sup>+0.3</sup> <sub>0</sub>	25.40 <sup>+0.3</sup> <sub>0</sub>
UT07147--H-		
UT07148--H-		
UT071412--H-		
UT071492--H-	27.10 <sup>+0.3</sup> <sub>0</sub>	28.20 <sup>+0.3</sup> <sub>0</sub>
UT071619--H-		
UT071823--H-	30.20 <sup>+0.3</sup> <sub>0</sub>	31.70 <sup>+0.3</sup> <sub>0</sub>
UT072028--H-	33.40 <sup>+0.3</sup> <sub>0</sub>	34.70 <sup>+0.3</sup> <sub>0</sub>
UT072030--H-		
UT072235--H-	36.60 <sup>+0.3</sup> <sub>0</sub>	37.80 <sup>+0.3</sup> <sub>0</sub>
UT072238--H-		
UT072448--H-	39.80 <sup>+0.3</sup> <sub>0</sub>	41.10 <sup>+0.3</sup> <sub>0</sub>

A	20/04/2015	_CREATION OF THE DRAWING		24021
ISS	DATE	_Cancel & replace UT07-C01		MOD N°
Designed by:		CHANTOISEAU P. Date : 21/10/2013	CUSTOMER DRAWING	
TITLE		RECEPTACLE UT0 CONNECTOR		
Scale	3/1	General linear Tolerances: ± 0.1	NPRDS / PROJECT UT0	
SOURIAU		WWW.SOURIAU.COM		This document is the property of SOURIAU. It must not be reproduced or communicated without permission.
FORMAT	A2	SOURIAU DRG N° C001-UT07-A		SHEET 2 / 2