

P	LTR	DESCRIPTION	DATE	DWN	APVD
	A1	REVISED NOTES	30OCT2019	MZ	MZ
	B	REVISED PER ECR-19-019350	18DEC2019	SB	FD
	B1	REVISED PER ECR-20-015354	28OCT2020	SR	FD
	C	REVISED PER ECR-21-108141	19JUL2021	SM	FD

NOTES:

1. MATERIALS:

CONTACT : COPPER ALLOY, TIN PLATED
 HOUSING: PPE+PS; COLOR: DARK GREY
 BUTTON: PPE+PS; COLOR: DARK GREY

DIMENSIONS BEFORE APPLICATION

2. APPLICABLE CABLES:

A) APPROVED ACCORDING UL FILE E353372 FOR SOLAR CABLES FROM 5.5 mm TO 7.2 mm

B) APPROVED ACCORDING TUV RHEINLAND CERTIFICATE NUMBER R60152499.0001 FOR FOLLOWING CABLE TYPES FROM DEFINED MANUFACTURERS:

- TE CABLE PN 2328394, 2.5 mm² (14 AWG)
- TE CABLE PN 2270245, 4 mm² (12 AWG)
- TE CABLE PN 2270260, 4 mm² (12 AWG)
- TE CABLE PN 2328400, 6 mm² (10 AWG)
- TE CABLE PN 2270215, 4 mm² (12 AWG)
- TE CABLE PN 2270259, 4 mm² (12 AWG)

- BYSON 6351D 2.5mm²/14AWG
- BYSON 6352D 4mm²/12AWG
- BYSON 6353D 6mm²/10AWG
- HONGLIN DPN4012A20 4mm²/12AWG

3. MATING CONNECTORS, TE PART NO.:

- 2315176-1 (SOLARLOK 2.0)
- x-2270024-y (PV4-S)
- x-1971920-y (PV4-PM)

4. NOTE REMOVED

5 MOULDING PRODUCTION DATE MARKING

6 AREA FOR LASER PRINTING DATA MATRIX AND PARTNUMBER
 P P P P P P P P V Y Y W D F L # # # # #

- P P P P P P P P = PART NUMBER
- V = VERSION CUSTOMER DRAWING
- Y Y = LAST TWO DIGITS OF YEAR 19
- W W = WEEK NUMBER
- D = WEEKDAY (1 MONDAY)
- F = FACTORY CODE (S = SZCZECIN, T = TRUTNOV)
- L = MANUFACTURING LINE (M=MANUAL, A=AUTOMATIC)
- # # # # # = SERIAL NUMBER (PRODUCTION PER DAY)

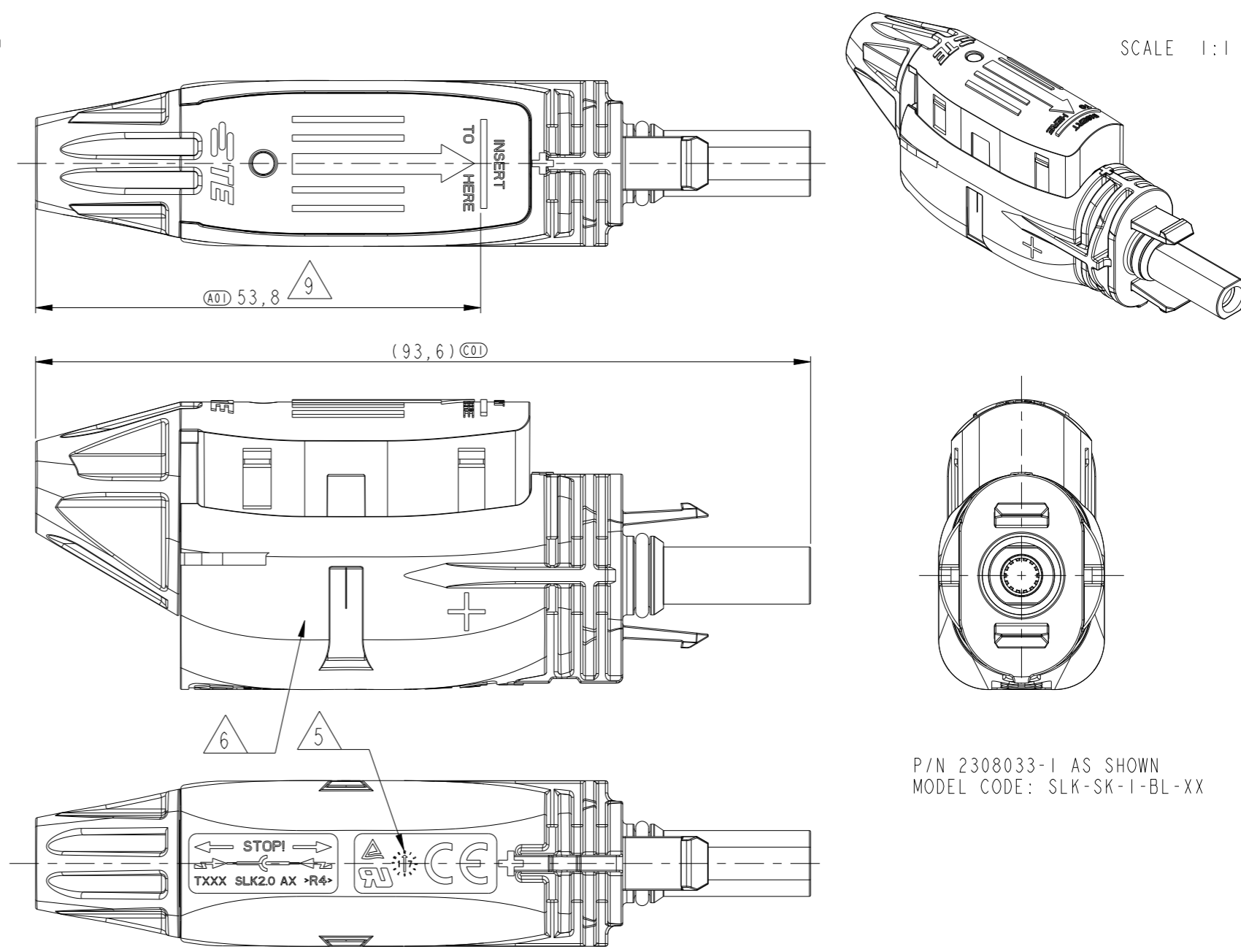
7 CABLE FOR REFERENCE ONLY

8 WHEN BUTTON AND HOUSING RIBS ARE ALIGNED, THE CONNECTOR IS CORRECTLY TERMINATED

9 MINIMUM CABLE INSERTION LENGTH 53.8 ± 2 mm

10. CHECK APPLICATION SPEC 114-133104 FOR PROPER CABLE CONNECTION

11. FOR PACKAGING FORMAT AND QUANTITY SEE 107-133104.

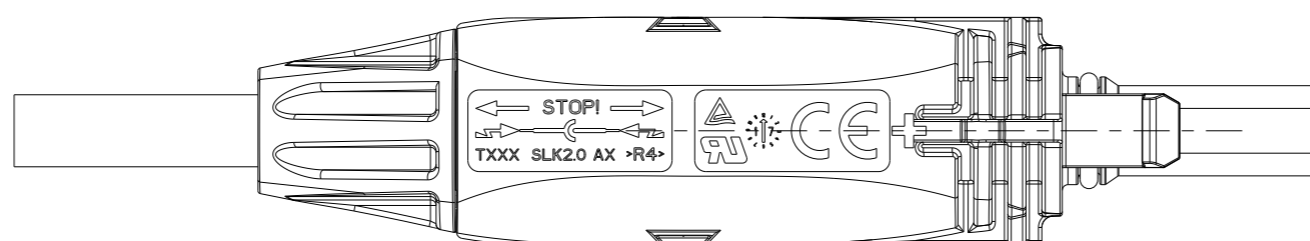
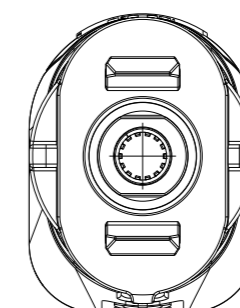
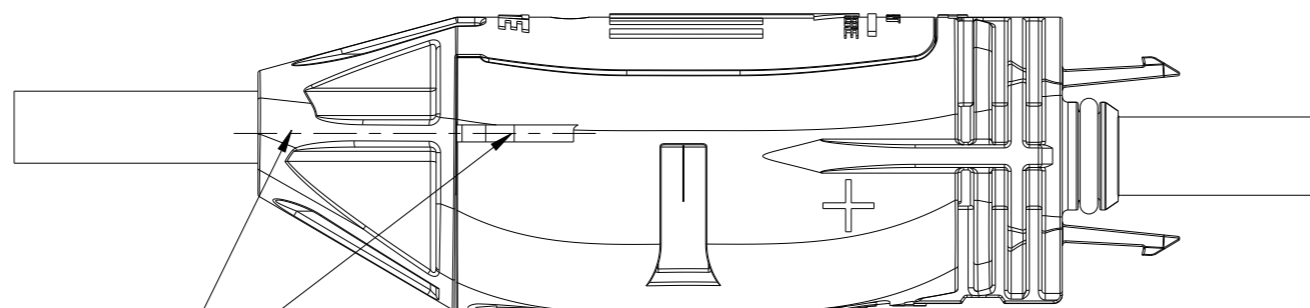
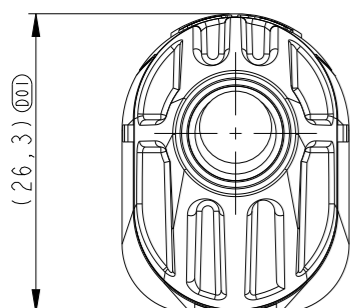
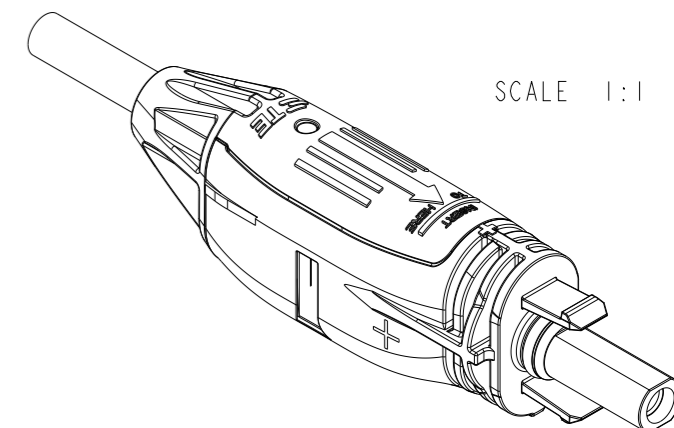
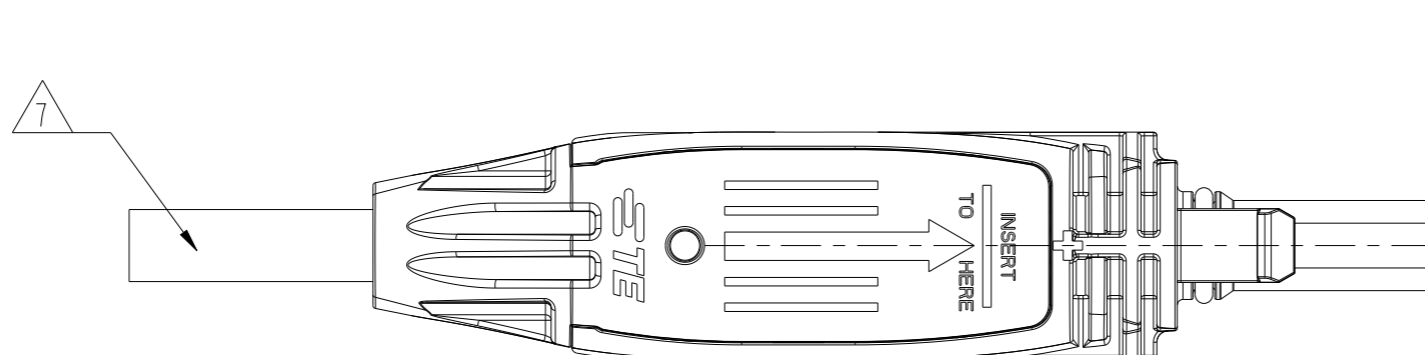


THIS DRAWING IS A CONTROLLED DOCUMENT.		DWN	17NOV2017	STE TE Connectivity	
		CHK	RAGHAVENDRA.K 31JAN2018		
DIMENSIONS: mm		TOLERANCES UNLESS OTHERWISE SPECIFIED:		NAME SOLARLOK 2.0 SOCKET CONNECTOR	
		0 PLC ±0.5		APVD	
		1 PLC ±0.5		O.L.FEIJNSE 31JAN2018	
		2 PLC ±0.5		PRODUCT SPEC	
		3 PLC ±		108-133104	
		4 PLC ±		APPLICATION SPEC	
		ANGLES ±		114-133104	
		FINISH ±3°		SIZE	
MATERIAL SEE NOTES		WEIGHT		A3	
		CUSTOMER DRAWING		CAGE CODE	
				00779	
				DRAWING NO	
				C-2308033	
				RESTRICTED TO	
				-	
				SCALE	
				3:2	
				SHEET	
				1 OF 2	
				REV	
				C	

REVISIONS

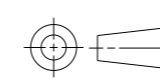
P	LTR	DESCRIPTION	DATE	DWN	APVD
-	-	SEE SHEET 1	-	-	-

DIMENSIONS AFTER APPLICATION



THIS DRAWING IS A CONTROLLED DOCUMENT.

DIMENSIONS: mm



MATERIAL SEE NOTES

TOLERANCES UNLESS OTHERWISE SPECIFIED:

0 PLC	±0.5
1 PLC	±0.5
2 PLC	±0.5
3 PLC	±-
4 PLC	±-
ANGLES	±3°
FINISH	-

DWN 17NOV2017 RAGHAVENDRA.K
 CHK 31JAN2018 F.DENDAS
 APVD 31JAN2018 O.LFIJNSE
 PRODUCT SPEC 108-133104
 APPLICATION SPEC 114-133104
 WEIGHT -
 CUSTOMER DRAWING

STE TE Connectivity

NAME SOLARLOK 2.0 SOCKET CONNECTOR

SIZE A3	CAGE CODE 00779	DRAWING NO C-2308033	RESTRICTED TO -
SCALE 3:2		SHEET 2 OF 2	REV C