

THIS COPY IS PROVIDED ON A RESTRICTED BASIS AND IS NOT TO BE USED IN ANY WAY DETRIMENTAL TO THE INTERESTS OF PANDUIT CORP.

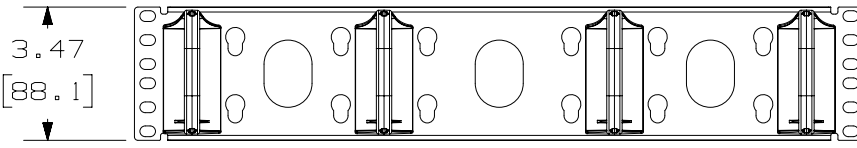
PANDUIT P/N	WEIGHT
CMPHF2	1.4 LB/EACH PC .64 kg/EACH PC

NOTES:

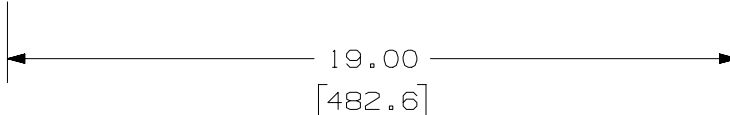
- SEE CATALOG FOR COMPLETE LIST OF PARTS APPLICABLE FOR USE WITH THIS PART.
- DIMENSIONS IN PARENTHESES ARE IN METRIC.
- PARTS INCLUDED:
4- D-RINGS
1- METAL STAMPING
4- 12-24 SCREWS
- FOR OPTIONAL SNAP ON COVER USE PART NUMBER CMPH2C.



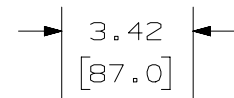
5.00 [127.0]
6.00 [152.4]
TYP



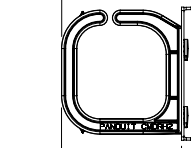
3.47 [88.1]



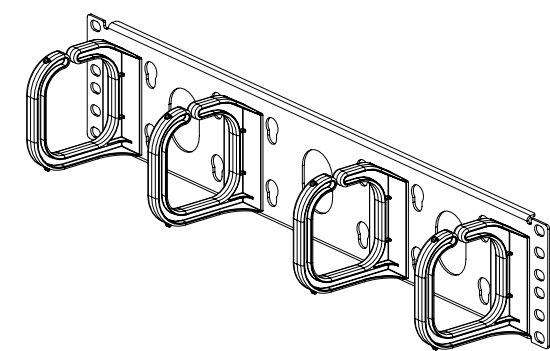
19.00 [482.6]



3.42 [87.0]



3.12 [79.4]



REV	DATE	BY	CHK	APR	DESCRIPTION	ECN
04A	3-26-15	TWV	MACA	KRKE	BOM ADJUSTMENT; REVISED NOTES.	00072-16
02B	4-1-13	BAME	FGR	CMK	REVISED AND REDRAWN; ALL PREVIOUS REVS OMITTED	00072-16

TITLE OPEN CABLE MANAGEMENT PANEL HORIZONTAL FRONT ONLY (CMPHF2) CUSTOMER DRAWING					
ITEM REVISION NAME M00072AC/04				PANDUIT	
DATASET FILE NAME M00072AC_DC_04A					
UNLESS OTHERWISE SPECIFIED, DIMENSIONAL TOLERANCES ARE: IN (mm)					
				MATERIAL: STAMPING - BLACK POWDER COATED STEEL	
				RINGS - BLACK PC	
				DRAWING NUMBER: 00072-16	
THIRD ANGLE PROJECTION	DRAWN BY JSP	DATE 7-16-98	CHK FJD	SCALE NONE	SHT 1 OF 1
					SIZE A

D10100DA/15