

CUSTOMER PRINT

PART NUMBER: CA16280XPPXXX90

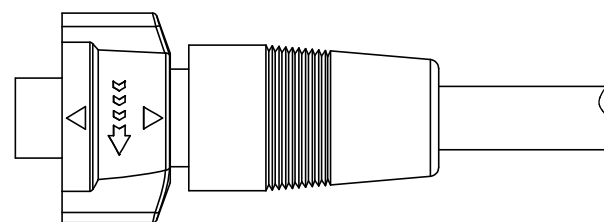
- NOTES:
 1. FINISHED CABLE ASSEMBLY TO BE COILED
 2. OVERMOLD BOOT MATERIAL: UV PBT, BLACK
 3. ELECTRICAL TEST: 100% CONTINUITY
 4. ALL DIMENSIONS ARE REFERENCE ONLY EXCEPT WHEN NOTED WITH TOLERANCE

ASS'Y P/N	NO. OF POS.
CA162802PPXXX90	2
CA162803PPXXX90	3
CA16280XPPXXX90	

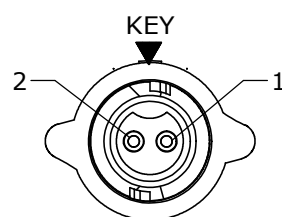
CABLE LENGTH IN "INCHES"
 NO OF POSITIONS

ASS'Y P/N	"X" DIM.
CA162802PP03990	3 FT. 3 1/2 IN. ± 2 IN. [1M ±50.8mm]
CA162803PP03990	
CA162802PP07990	6 FT. 7 IN. ± 2 IN. [2M ±50.8mm]
CA162803PP07990	
CA162802PP19790	16 FT. 5 IN. ± 4 IN. [5M ±101.6mm]
CA162803PP19790	
CA162802PP39490	32 FT. 9 3/4 IN. ± 8 IN. [10M ±203.2mm]
CA162803PP39490	
CA16280XPPXXX90	

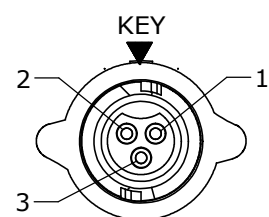
CABLE LENGTH IN "INCHES"
 NO OF POSITIONS



TOP VIEW

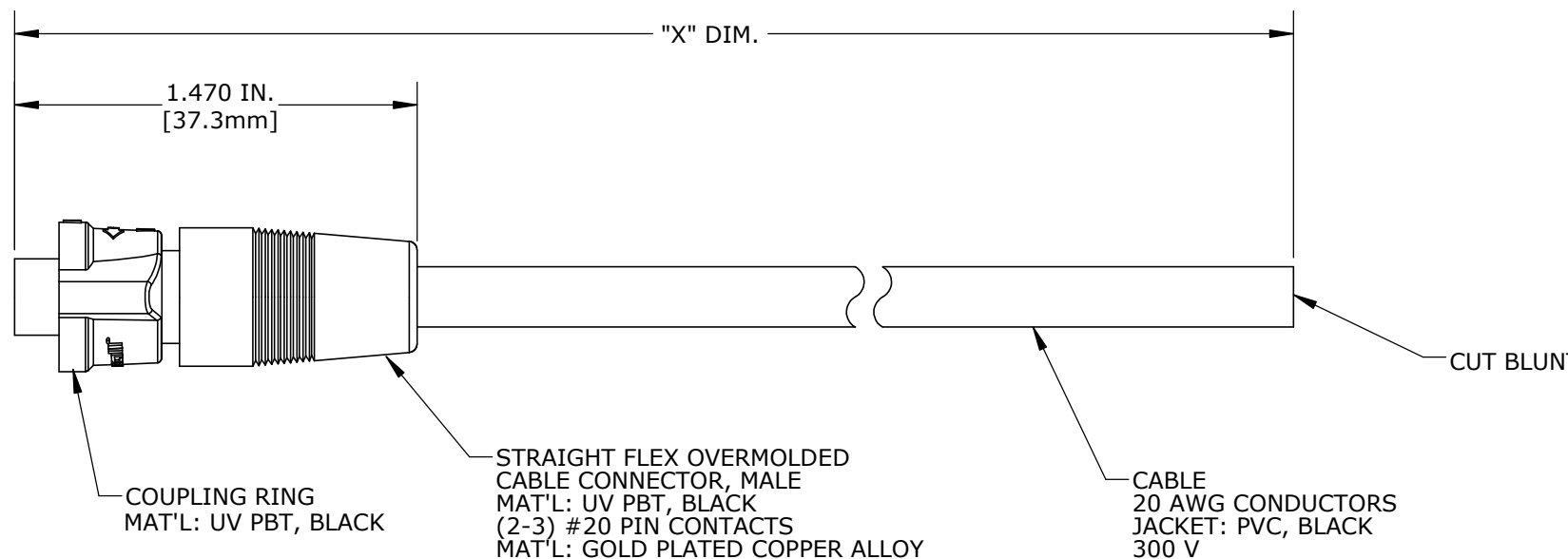


END "A"
FACE VIEW
CA162802PPXXX90

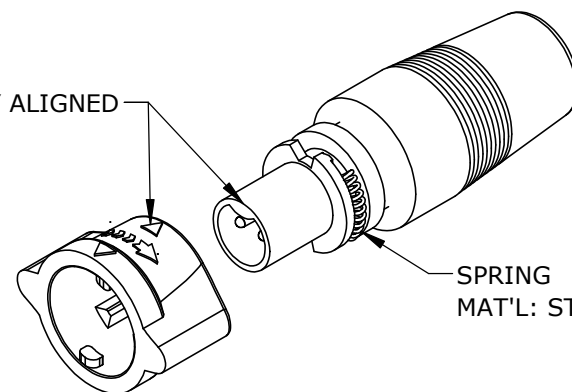


END "A"
FACE VIEW
CA162803PPXXX90

O-RING
 MAT'L: SILICONE, RED



ARROW AND KEY ALIGNED



SPRING
 MAT'L: STAINLESS STEEL

CUSTOMER APPROVAL

THIS DOCUMENT CONTAINS CONFIDENTIAL INFORMATION PROPRIETARY TO CONXALL CORPORATION. ANY REPRODUCTION, DISCLOSURE, OR USE OF THIS DOCUMENT /INFORMATION IS EXPRESSLY PROHIBITED UNLESS AUTHORIZED IN WRITING BY CONXALL CORPORATION.

APPROVED BY: _____
 DATE: _____

RoHS COMPLIANT

DIMENSIONS IN BRACKETS [] ARE METRIC

ASSY P/N	CABLE	COLOR CODE END "A"		
CA162802PPXXX90	2/20 AWG O.D. 0.215 REF	COLOR CODE		
		POS. 1	POS. 2	
		BLK	WHT	
CA162803PPXXX90	3/20 AWG O.D. 0.220 REF	WIRE COLOR CODE		
		POS. 1	POS. 2	POS. 3
		BLK	WHT	GRN

REV.	INIT.	DATE	DESCRIPTION
A	AN	06-01-21	DRAWING CREATED PER DOR 21-109360DS
ALL INFORMATION ILLUSTRATED IS THE PROPERTY OF "CONXALL CORPORATION". UNAUTHORIZED DUPLICATION OR DISTRIBUTION OF THIS DOCUMENT IS PROHIBITED.			ORIG. DRAWN BY: AN DATE: 06-01-21 CHECKED BY:
ALL UNITS ARE IN FEET, INCHES, FRACTION OF INCHES AND DECIMALS.			APPROVED BY: _____ TITLE: CABLE ASSEMBLY (2-3) #20 PIN CONTACTS INSTA-CLICK™ MICRO-CON-X STANDARD PRODUCT CUSTOMER:
SCALE: NTS SIZE: B SHEET: 1 OF 1		FILE: CA16280XPPXXX90 DIRECTORY: SLW	PART NUMBER: CA16280XPPXXX90 REV: A



601 E. WILDWOOD VILLA PARK, IL 60181