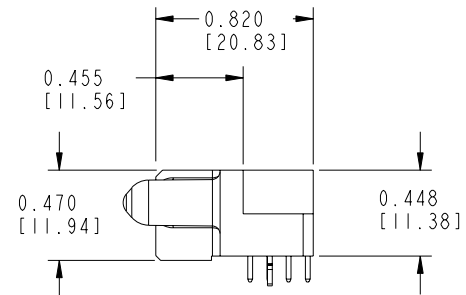
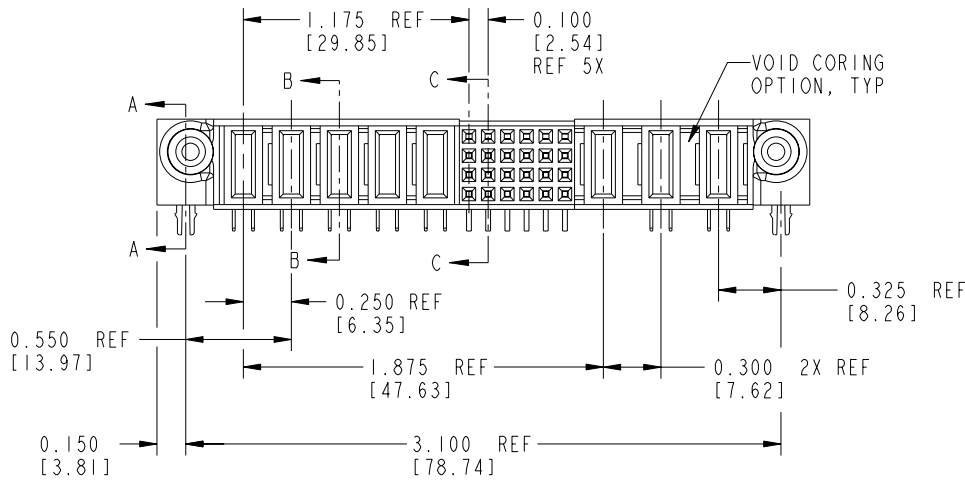
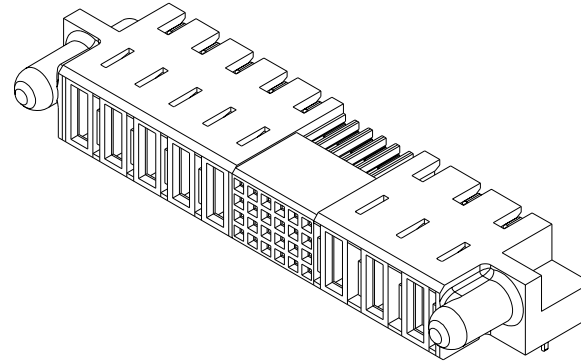
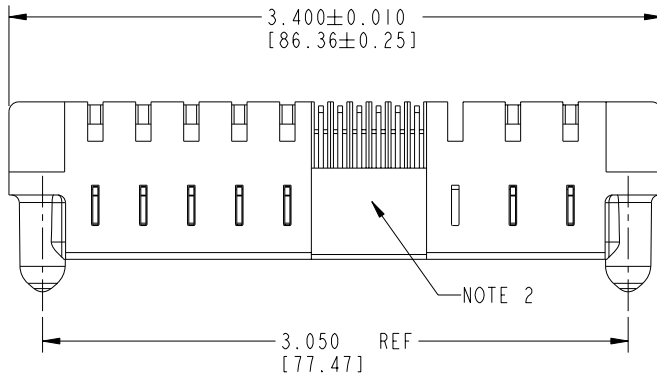


Tous droits strictement réservés. Reproduction ou communication a des tiers interdite sous quelque forme que ce soit sans autorisation écrite du propriétaire. Propriété de c FCI. Droits de reproduction FCI.

All rights strictly reserved. Reproduction or issue to third parties in any form whatever is not permitted without written authority from the proprietor. Property of FCI. Copyright FCI.



PRODUCT NUMBER
SEE SHEET 4



mat'l code				NOTE 1		tolerances unless otherwise specified		CUSTOMER COPY		FCI	
lfr	ecn no.	dr	date	linear	.XX ± .01 / .X ± .3	projection		title 3ACP + 24S + 5P RIGHT ANGLE SOLDER RECEPT.			
A	V02395	JRW	11-13-00	angles	.XXX ± .005 / .XX ± .13	IN/MM		product family PwrBlade		code 213	
B	DG05-0186	GuoJM	06/23/05	chr	.XXXX ± .0020 / .XXX ± .051	scale 1:1		size dwg no 51810		SHEET 1 OF 4	
				appr	J. BROWN 04-25-00						
					J. BROWN 04-25-00						
					J. BROWN 04-25-00						
sheet index	revision sheet	B 1	B 2	B 3	B 4						

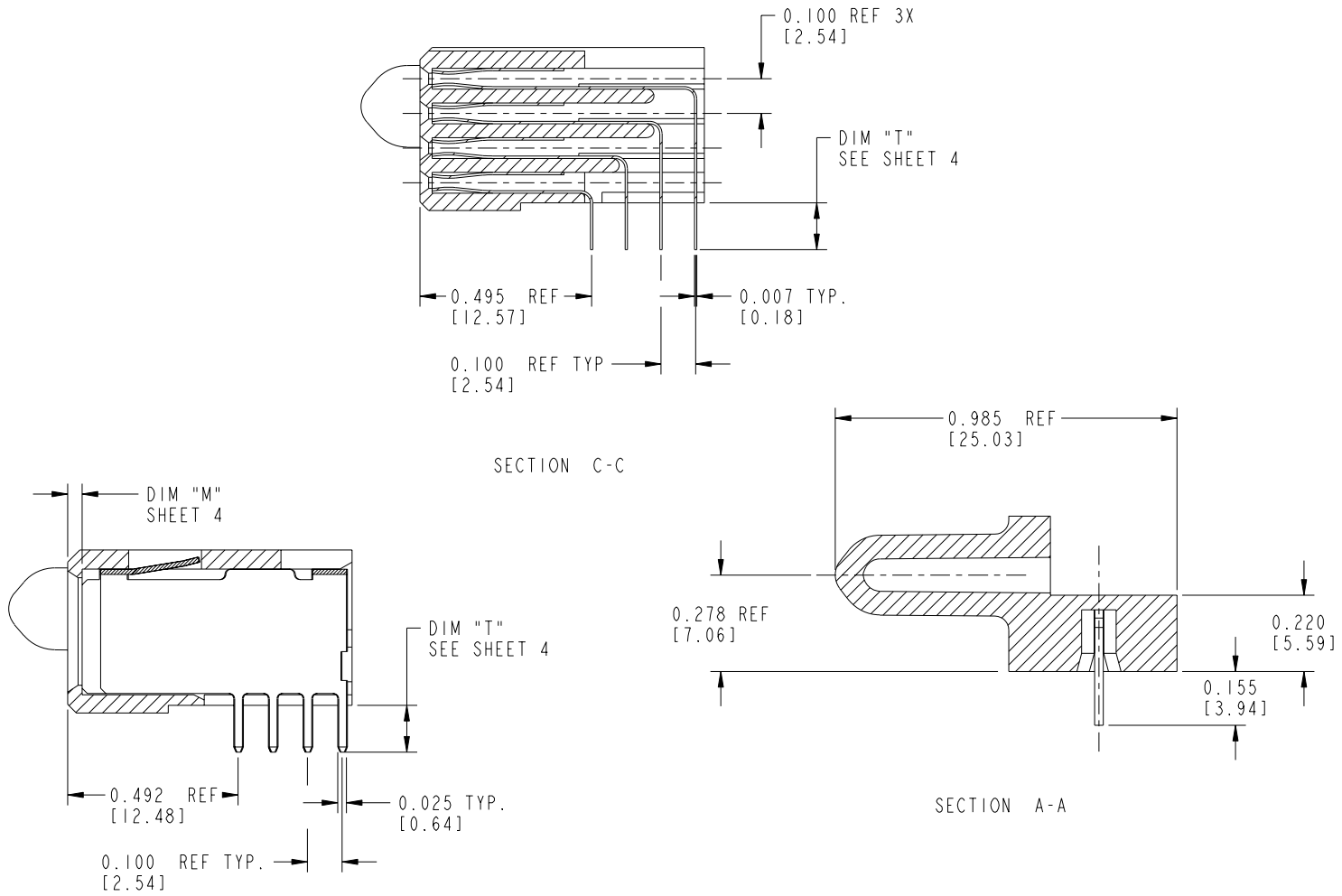
THIS FILE WAS ORIGINALLY CREATED IN THE PRO ENGINEER ENVIRONMENT AND ANY FUTURE REVISIONS TO THIS FILE MUST BE MADE IN THE PRO ENGINEER ENVIRONMENT

Tous droits strictement réservés. Reproduction ou communication a des tiers interdite sous quelque forme que ce soit sans autorisation écrite du propriétaire. Propriété de c FCI. Droits de reproduction FCI.

All rights strictly reserved. Reproduction or issue to third parties in any form whatever is not permitted without written authority from the proprietor. Property of FCI. Copyright FCI.

A
FCI

PRODUCT NUMBER
SEE SHEET 4



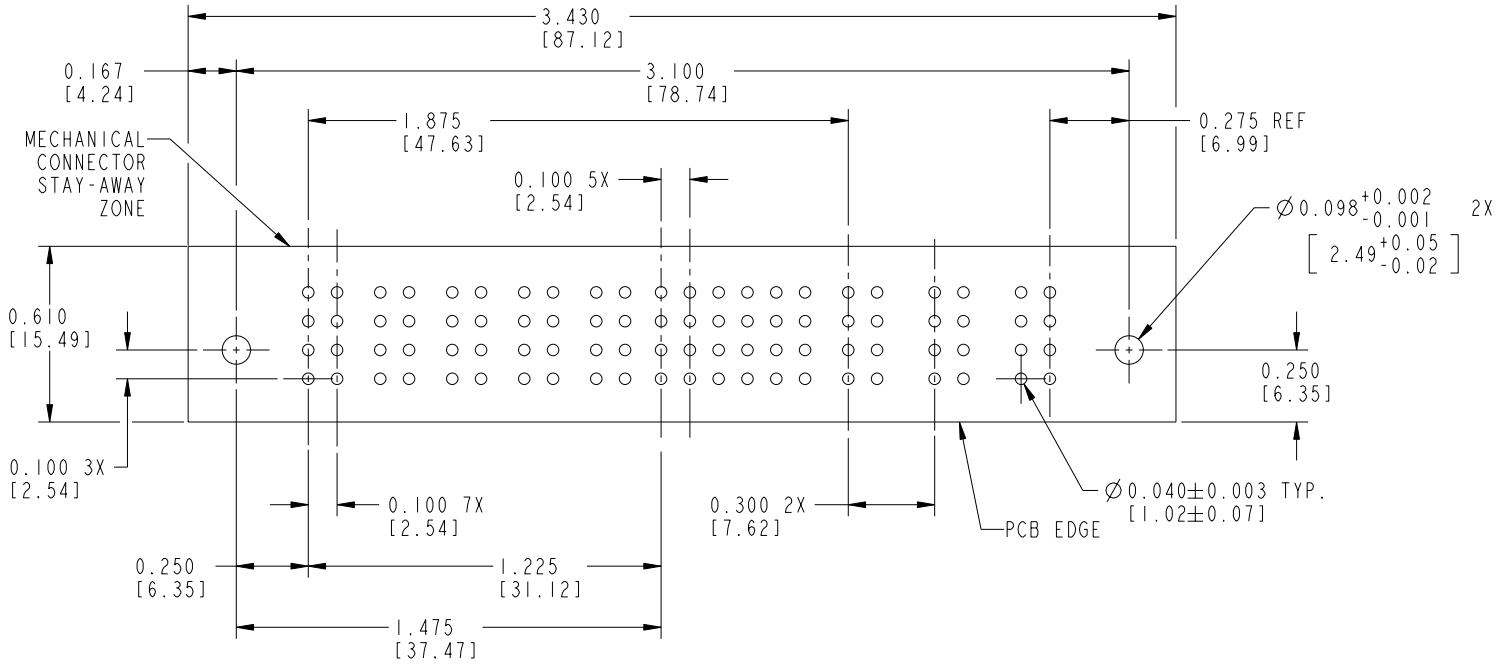
mat'l code		tolerances unless otherwise specified		CUSTOMER COPY		 www.fciconnect.com	
ltr	ecn no.	dr	date	linear	.XX ± .01 / .X ± .3	projection IN/MM scale 2:1	title
B					.XXX ± .005 / .XX ± .13		3ACP + 24S + 5P
				angles	.XXX ± .0020 / .XXX ± .051		RIGHT ANGLE SOLDER RECEPT.
				dr	M. GALLUPS 04-25-00	product family	PwrBlade
				enrg	J. BROWN 04-25-00	size	dwg no
				chr	J. BROWN 04-25-00	A	51810
				appd	J. BROWN 04-25-00		code
sheet index	revision sheet						213
							SHEET 2

Tous droits strictement réservés. Reproduction ou communication a des tiers interdite sous quelque forme que ce soit sans autorisation écrite du propriétaire. Propriété de c FCI. Droits de reproduction FCI.

All rights strictly reserved. Reproduction or issue to third parties in any form whatever is not permitted without written authority from the proprietor. Property of FCI. Copyright FCI.

FCI

PRODUCT NUMBER
SEE SHEET 4



RECOMMENDED PCB LAYOUT

mat'l code		-		tolerances unless otherwise specified		CUSTOMER COPY		 www.fciconnect.com	
ltr	ecn no.	dr	date	linear	.XX ± .01 / .X ± .3	projection 	title		
B					.XXX ± .005 / .XX ± .13		3ACP + 24S + 5P		
				angles	.XXXX ± .0020 / .XXX ± .051		RIGHT ANGLE SOLDER RECEPT.		
				dr	M. GALLUPS 04-25-00	IN/MM scale 3:2	product family		code
				enrg	J. BROWN 04-25-00		PwrBlade		213
				chr	J. BROWN 04-25-00		size		SHEET
				appd	J. BROWN 04-25-00		dwg no		3
sheet index		revision sheet				A		51810	

Tous droits strictement réservés. Reproduction ou communication a des tiers interdite sous quelque forme que ce soit sans autorisation écrite du propriétaire. Propriété de c FCI. Droits de reproduction FCI.

All rights strictly reserved. Reproduction or issue to third parties in any form whatever is not permitted without written authority from the proprietor. Property of FCI. Copyright FCI.

A
FCI

PRODUCT No.	ROWS	POWER					SIGNAL					POWER				ITEM NO.	QTY	DIM "M" MATING LENGTH ±.010 [.25]	DIM "T" TAIL LENGTH ±.010 [.25]	CONTACT TYPE			
51810-001-- Note:③	D C B A	E2	P8	P7	P6	P5	P4	6	5	4	3	2	1	P3	P2	P1	E1	PA	7	0.042 [1.07]	0.135 [3.43]	POWER	
			PA	PA	PA	PA	PA	HHHHHHHH	GGGGGGGG	GGGGGGGG	GGGGGGGG	GGGGGGGG	GGGGGGGG	PA	PA	PA							
								EEEEEEEE	EEEEEEEE	EEEEEEEE	EEEEEEEE	EEEEEEEE											

PRODUCT No.	ROWS	POWER					SIGNAL					POWER				ITEM NO.	QTY	DIM "M" MATING LENGTH ±.010 [.25]	DIM "T" TAIL LENGTH ±.010 [.25]	CONTACT TYPE			
51810-002-- Note:③	D C B A	E2	P8	P7	P6	P5	P4	6	5	4	3	2	1	P3	P2	P1	E1	PC	7	0.092 [2.34]	0.135 [3.43]	POWER	
			PC	PC	PC	PC	PC	HHHHHHHH	GGGGGGGG	GGGGGGGG	GGGGGGGG	GGGGGGGG	GGGGGGGG	PA	PC	PC							
								EEEEEEEE	EEEEEEEE	EEEEEEEE	EEEEEEEE	EEEEEEEE											

ITEM NO.	QTY	DIM "M" MATING LENGTH ±.010 [.25]	DIM "T" TAIL LENGTH ±.010 [.25]	CONTACT TYPE
PC	7	0.092 [2.34]	0.135 [3.43]	POWER
PA	1	0.042 [1.07]	0.135 [3.43]	POWER
E	6	N/A [N/A]	0.135 [3.43]	SIGNAL
F	6	N/A [N/A]	0.135 [3.43]	SIGNAL
G	6	N/A [N/A]	0.135 [3.43]	SIGNAL
H	6	N/A [N/A]	0.135 [3.43]	SIGNAL
HA	2	N/A [N/A]	N/A [N/A]	HOLD-DOWN

NOTES:

- HOUSING MATERIAL: UL 94 V-0 GLASS FILLED HIGH TEMP THERMOPLASTIC FLAME RETARDANT PER UL94 V-0
SIGNAL CONTACT MATERIAL: COPPER ALLOY
POWER CONTACT MATERIAL: COPPER ALLOY
- MANUFACTURER NAME, P/N, AND DATE CODE TO APPEAR ON THIS SURFACE.
- PLATING:
51810-00X Singal Pin:30u"/0.76um Au OVER 50u"/1.27um Ni ON THE CONTACT AREA,
AND 100u"/2.54um SnPb PLATING OVER 50u"/1.27um Ni ON THE TERMINATION SECTION.
Power Pin:30u"/0.76um Au OVER 50u"/1.27um Ni ON THE CONTACT AREA,
AND 100u"/2.54um SnPb PLATING OVER 50u"/1.27um Ni ON THE TERMINATION SECTION.
51810-00XLF Singal Pin:30u"/0.76um Au OVER 50u"/1.27um Ni ON THE CONTACT AREA,
AND 78u"/2.00um Sn PLATING OVER 50u"/1.27um Ni ON THE TERMINATION SECTION.
Power Pin:30u"/0.76um Au OVER 50u"/1.27um Ni ON THE CONTACT AREA,
AND 78u"/2.00um Sn PLATING OVER 50u"/1.27um Ni ON THE TERMINATION SECTION.
PART NUMBER 51810-00XLF MEETS EUROPEAN UNION DIRECTIVE AND OTHER COUNTRY REGULATIONS AS DESCRIBED IN GS-22-008.
THE HOUSING WILL WITHSTAND EXPOSURE TO 260° PEAK TEMPERATURE FOR 10 SECONDS IN A WAVE SOLDER APPLICATION WITH A CIRCUIT BOARD.

PCB - NOTES

- ALL DIMENSIONS ARE BASIC UNLESS OTHERWISE SPECIFIED.
- ALL THROUGH HOLES ARE LOCATED WITH A TRUE POSITION OF .004
- ALL HOLE DIAMETERS ARE FINISHED HOLE SIZE
- Ø.0453/1.151 DRILLED HOLES
PLATED WITH .0003/.007 MIN SnPb
OVER .001/.03 to .003/.08 Cu PLATING TO ACHIEVE
A .040±.003/1.02±.08 HOLE

mat'l code		tolerances unless otherwise specified		CUSTOMER COPY		A FCI www.fciconnect.com	
ltr	ecn no.	dr	date	linear	.XX ±.01/.X ±.3	projection 	title 3ACP + 24S + 5P RIGHT ANGLE SOLDER RECEPT.
B					.XXX ±.005/.XX ±.13		
				angles	.XXX ±.0020/.XXX ±.051		
				dr	0° ± 2°	IN/MM 	product family PwrBlade code 213 SHEET 4
				enrg	M. GALLUPS 04-25-00		
				chr	J. BROWN 04-25-00		
				appd	J. BROWN 04-25-00		
sheet index	revision sheet					scale 1:1	product size A 51810