

1 MATERIAL:  
 BASE: THERMOPLASTIC POLYESTER, UL 94V-0 (NATURAL).  
 POST: COPPER ALLOY (TIN OR TIN-LEAD PLATED, .000150 MIN THK).

2 PARTS MUST COMPLY WITH AMP SOLDERABILITY SPEC 109-11-2.

3 PLASTIC AROUND POST PERMISSIBLE IN THIS AREA ONLY.

4 DIMENSION APPLIES WHEN HEADER IS HELD FLAT.

5 MEASURED AT -A-

6 COORDINATE DIMENSION APPLIES FROM CENTER OF ACTUAL FEATURE.

7 RADIUS AT TIP PERMITTED, BOTH ENDS.

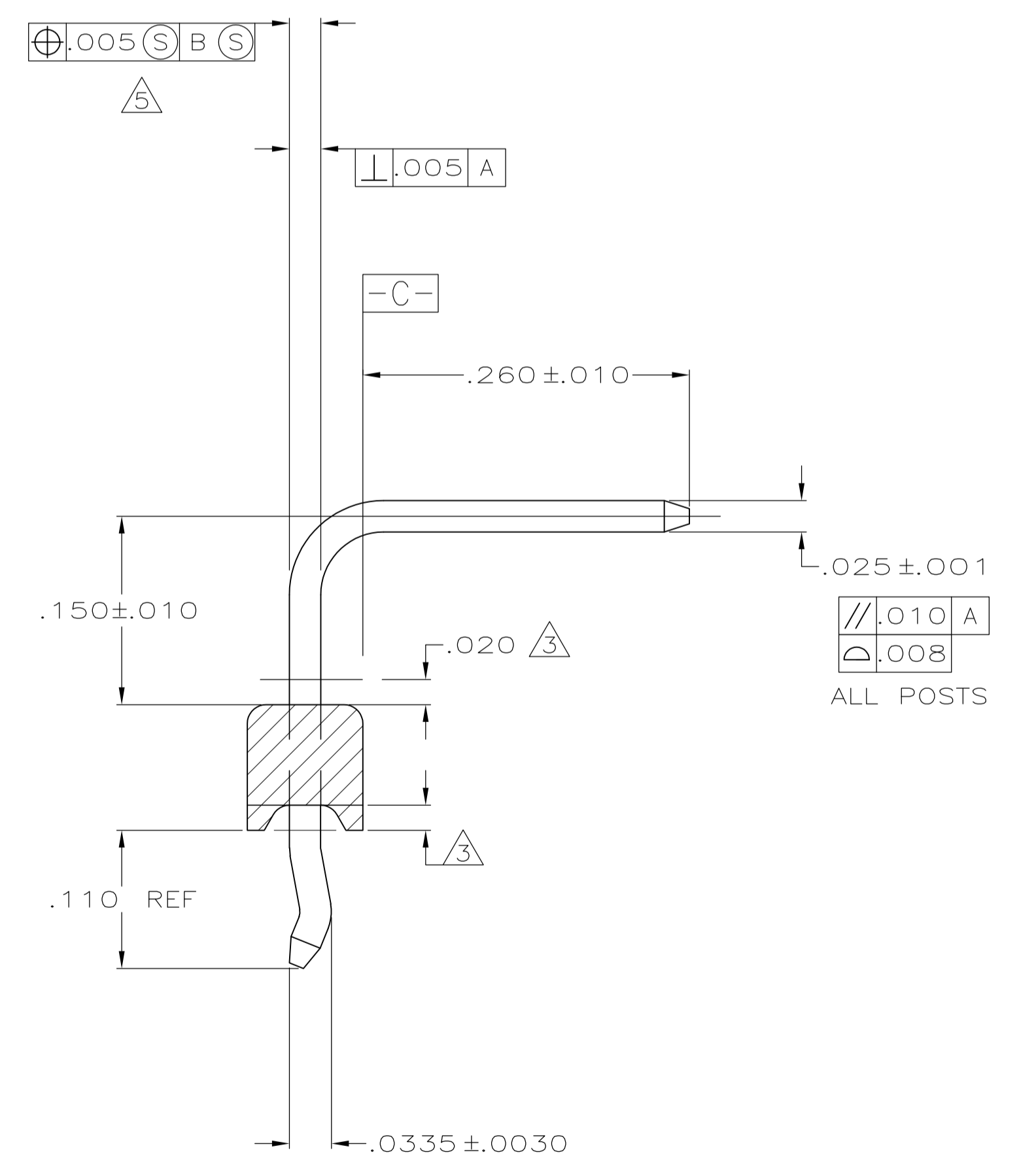
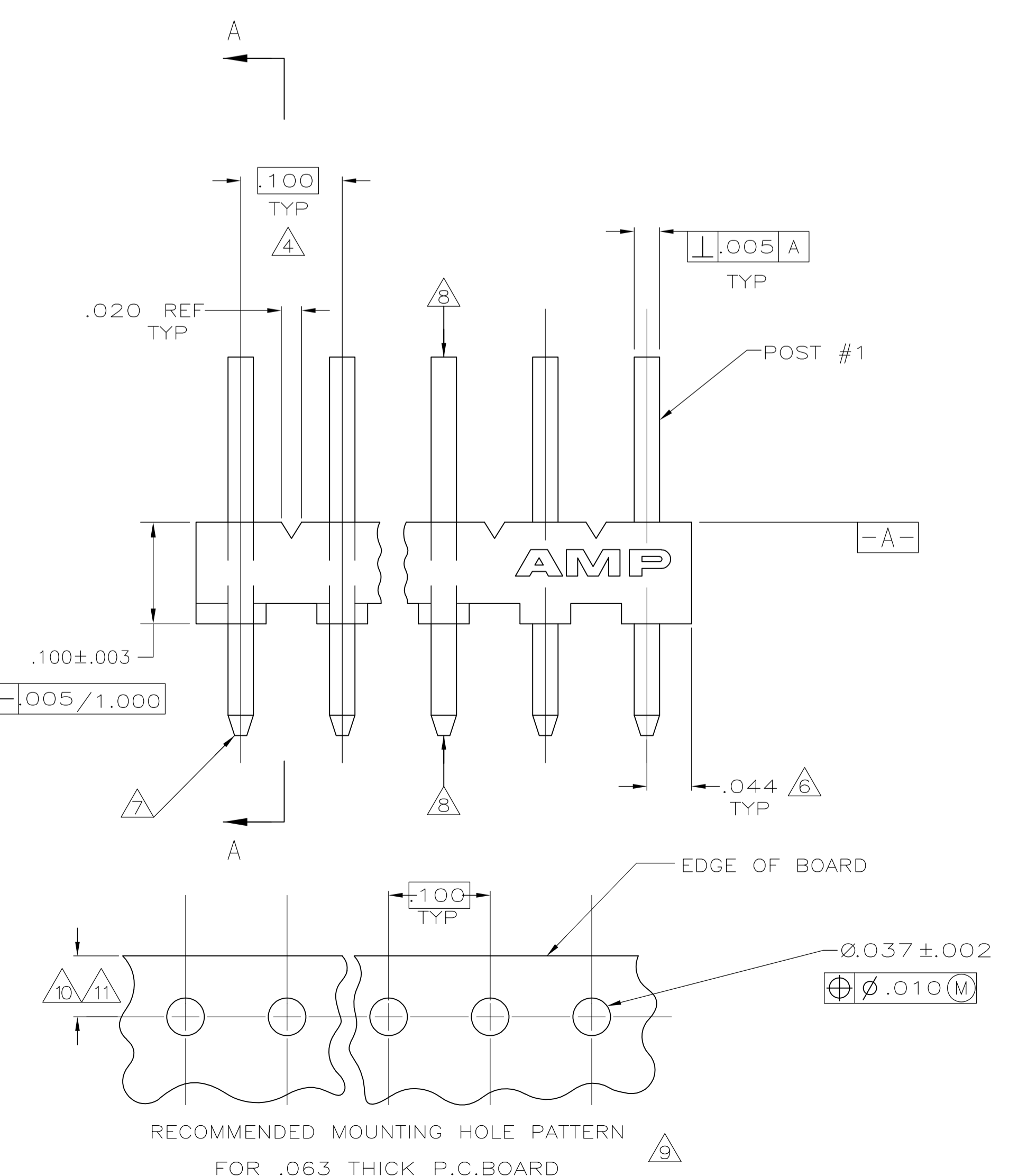
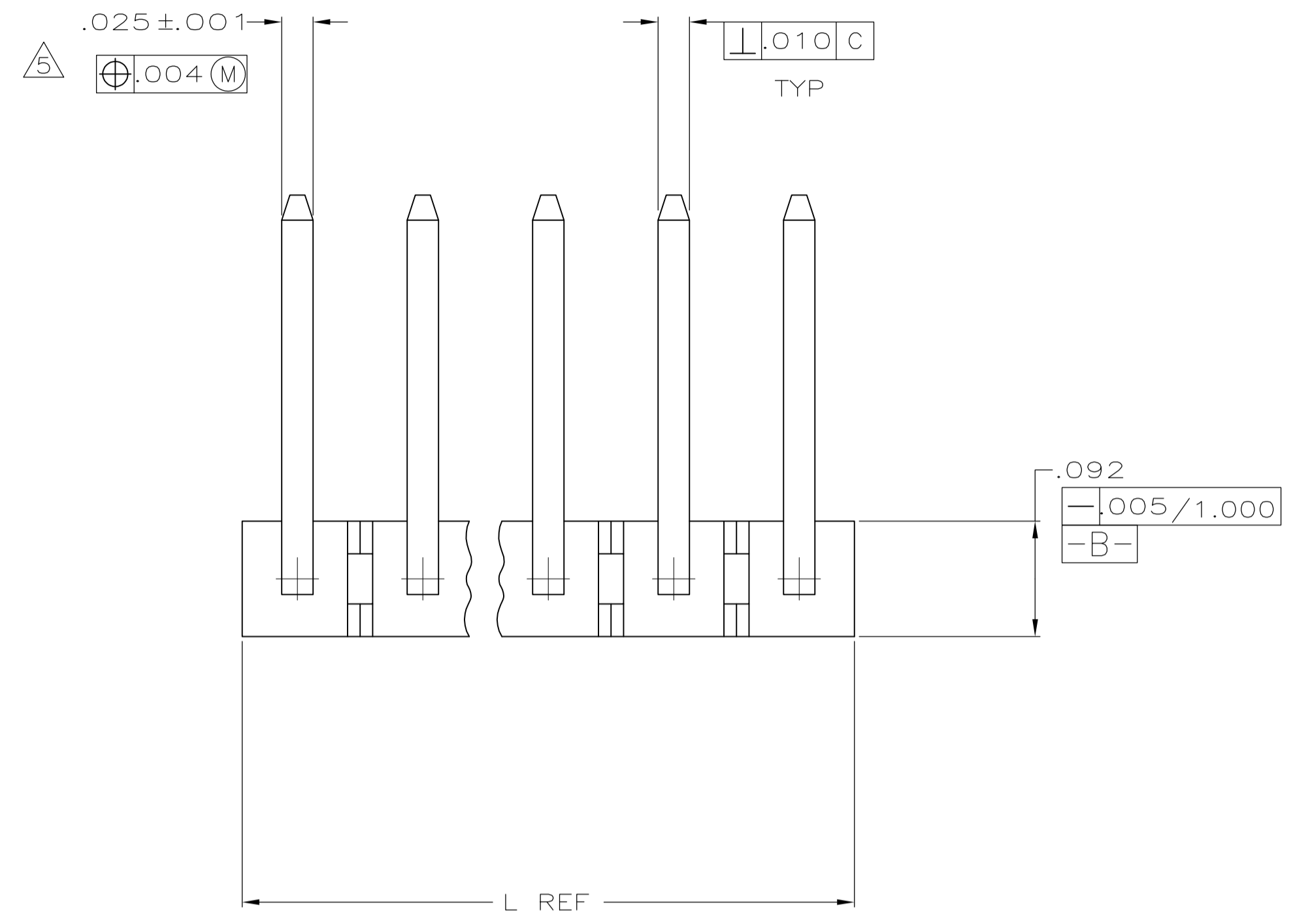
8 POST MUST WITHSTAND 3.0 LB (13 NEWTONS) MIN AXIAL FORCE IN BOTH DIRECTIONS WITHOUT DISLODGING.

9 TOLERANCES APPLY TO SOLDER SIDE OF BOARD.

10 DIMENSION SHOULD BE .060 MIN WHEN MATING WITH A MTA-100 CONNECTOR ASSEMBLY OR A CST-100 CONNECTOR.

11 DIMENSION SHOULD BE .060-.340 WHEN MATING CONNECTOR WIRING EXITS HOUSING INTO BOARD.

12. AMP LOGO MAY OR MAY NOT APPEAR ON MOLDING HOUSING.



SECTION A-A  
 RETENTIVE FEATURE IS FOR POSTS DESIGNATED IN TABLE ONLY

|     |         |    |       |       |    |            |
|-----|---------|----|-------|-------|----|------------|
| YES | 1,14,28 | 28 | 2.788 | 70.82 | 28 | 5-644694-8 |
|     | 1,14,27 | 27 | 2.688 | 68.28 | 27 | 5-644694-7 |
|     | 1,13,26 | 26 | 2.588 | 65.74 | 26 | 5-644694-6 |
|     | 1,13,25 | 25 | 2.488 | 63.20 | 25 | 5-644694-5 |
|     | 1,12,24 | 24 | 2.388 | 60.66 | 24 | 5-644694-4 |
|     | 1,12,23 | 23 | 2.288 | 58.12 | 23 | 5-644694-3 |
|     | 1,11,22 | 22 | 2.188 | 55.58 | 22 | 5-644694-2 |
|     | 1,11,21 | 21 | 2.088 | 53.04 | 21 | 5-644694-1 |
|     | 1,10,20 | 20 | 1.988 | 50.50 | 20 | 5-644694-0 |
|     | 1,10,19 | 19 | 1.888 | 47.96 | 19 | 4-644694-9 |
|     | 1,8,18  | 18 | 1.788 | 45.42 | 18 | 4-644694-8 |
|     | 1,9,17  | 17 | 1.688 | 42.88 | 17 | 4-644694-7 |
|     | 1,8,16  | 16 | 1.588 | 40.34 | 16 | 4-644694-6 |
|     | 1,8,15  | 15 | 1.488 | 37.80 | 15 | 4-644694-5 |
|     | 1,7,14  | 14 | 1.388 | 35.26 | 14 | 4-644694-4 |
|     | 1,7,13  | 13 | 1.288 | 32.72 | 13 | 4-644694-3 |
|     | 1,6,12  | 12 | 1.188 | 30.18 | 12 | 4-644694-2 |
|     | 1,6,11  | 11 | 1.088 | 27.64 | 11 | 4-644694-1 |
|     | 1,10    | 10 | .988  | 25.10 | 10 | 4-644694-0 |
|     | 1,9     | 9  | .888  | 22.56 | 9  | 3-644694-9 |
|     | 1,8     | 8  | .788  | 20.02 | 8  | 3-644694-8 |
|     | 1,7     | 7  | .688  | 17.48 | 7  | 3-644694-7 |
|     | 1,6     | 6  | .588  | 14.94 | 6  | 3-644694-6 |
|     | 1,5     | 5  | .488  | 12.40 | 5  | 3-644694-5 |
|     | 1,4     | 4  | .388  | 9.86  | 4  | 3-644694-4 |
|     | 1,3     | 3  | .288  | 7.32  | 3  | 3-644694-3 |
|     | 1,2     | 2  | .188  | 4.78  | 2  | 3-644694-2 |

SUPERSEDED BY 5-644694-8  
 SUPERSEDED BY 5-644694-7  
 SUPERSEDED BY 5-644694-6  
 SUPERSEDED BY 5-644694-5  
 SUPERSEDED BY 5-644694-4  
 SUPERSEDED BY 5-644694-3  
 SUPERSEDED BY 5-644694-2  
 SUPERSEDED BY 5-644694-1  
 SUPERSEDED BY 5-644694-0  
 SUPERSEDED BY 4-644694-9  
 SUPERSEDED BY 4-644694-8  
 SUPERSEDED BY 4-644694-7  
 SUPERSEDED BY 4-644694-6  
 SUPERSEDED BY 4-644694-5  
 SUPERSEDED BY 4-644694-4  
 SUPERSEDED BY 4-644694-3  
 SUPERSEDED BY 4-644694-2  
 SUPERSEDED BY 4-644694-1  
 SUPERSEDED BY 4-644694-0  
 SUPERSEDED BY 3-644694-9  
 SUPERSEDED BY 3-644694-8  
 SUPERSEDED BY 3-644694-7  
 SUPERSEDED BY 3-644694-6  
 SUPERSEDED BY 3-644694-5  
 SUPERSEDED BY 3-644694-4  
 SUPERSEDED BY 3-644694-3  
 SUPERSEDED BY 3-644694-2

|    |         |    |       |       |    |            |
|----|---------|----|-------|-------|----|------------|
| NO | 1,14,28 | 28 | 2.788 | 70.82 | 28 | 2-644694-8 |
|    | 1,14,27 | 27 | 2.688 | 68.28 | 27 | 2-644694-7 |
|    | 1,13,26 | 26 | 2.588 | 65.74 | 26 | 2-644694-6 |
|    | 1,13,25 | 25 | 2.488 | 63.20 | 25 | 2-644694-5 |
|    | 1,12,24 | 24 | 2.388 | 60.66 | 24 | 2-644694-4 |
|    | 1,12,23 | 23 | 2.288 | 58.12 | 23 | 2-644694-3 |
|    | 1,11,22 | 22 | 2.188 | 55.58 | 22 | 2-644694-2 |
|    | 1,11,21 | 21 | 2.088 | 53.04 | 21 | 2-644694-1 |
|    | 1,10,20 | 20 | 1.988 | 50.50 | 20 | 2-644694-0 |
|    | 1,10,19 | 19 | 1.888 | 47.96 | 19 | 1-644694-9 |
|    | 1,8,18  | 18 | 1.788 | 45.42 | 18 | 1-644694-8 |
|    | 1,9,17  | 17 | 1.688 | 42.88 | 17 | 1-644694-7 |
|    | 1,8,16  | 16 | 1.588 | 40.34 | 16 | 1-644694-6 |
|    | 1,8,15  | 15 | 1.488 | 37.80 | 15 | 1-644694-5 |
|    | 1,7,14  | 14 | 1.388 | 35.26 | 14 | 1-644694-4 |
|    | 1,7,13  | 13 | 1.288 | 32.72 | 13 | 1-644694-3 |
|    | 1,6,12  | 12 | 1.188 | 30.18 | 12 | 1-644694-2 |
|    | 1,6,11  | 11 | 1.088 | 27.64 | 11 | 1-644694-1 |
|    | 1,10    | 10 | .988  | 25.10 | 10 | 1-644694-0 |
|    | 1,9     | 9  | .888  | 22.56 | 9  | 644694-9   |
|    | 1,8     | 8  | .788  | 20.02 | 8  | 644694-8   |
|    | 1,7     | 7  | .688  | 17.48 | 7  | 644694-7   |
|    | 1,6     | 6  | .588  | 14.94 | 6  | 644694-6   |
|    | 1,5     | 5  | .488  | 12.40 | 5  | 644694-5   |
|    | 1,4     | 4  | .388  | 9.86  | 4  | 644694-4   |
|    | 1,3     | 3  | .288  | 7.32  | 3  | 644694-3   |
|    | 1,2     | 2  | .188  | 4.78  | 2  | 644694-2   |

| LEADFREE | RETENTIVE POSITIONS | NO. OF POSTS | IN | MM | NO. OF CIRCUITS | PART NUMBER |
|----------|---------------------|--------------|----|----|-----------------|-------------|
|----------|---------------------|--------------|----|----|-----------------|-------------|

THIS DRAWING IS A CONTROLLED DOCUMENT.

DIMENSIONS: INCHES

TOLERANCES UNLESS OTHERWISE SPECIFIED:

|        |        |
|--------|--------|
| 0 PLC  | ± .005 |
| 1 PLC  | ± .004 |
| 2 PLC  | ± .003 |
| 3 PLC  | ± .002 |
| 4 PLC  | ± .001 |
| ANGLES | ± .005 |

MATERIAL: 1 FINISH: 1

APPROVED: S. CARPENTER 27MAY2003

APPROVED: D. ROSSI 27MAY2003

APPROVED: D. ROSSI 27MAY2003

NAME: MTA-100 HEADER ASSEMBLY, NARROW, .025 SQUARE RIGHT ANGLE POST WITH RETENTIVE LEGS, TIN PLATED

SIZE: A1

WEIGHT: 00779

CUSTOMER DRAWING

SCALE: 10:1

SHEET: 1 OF 1

REV: E2

STE TE Connectivity