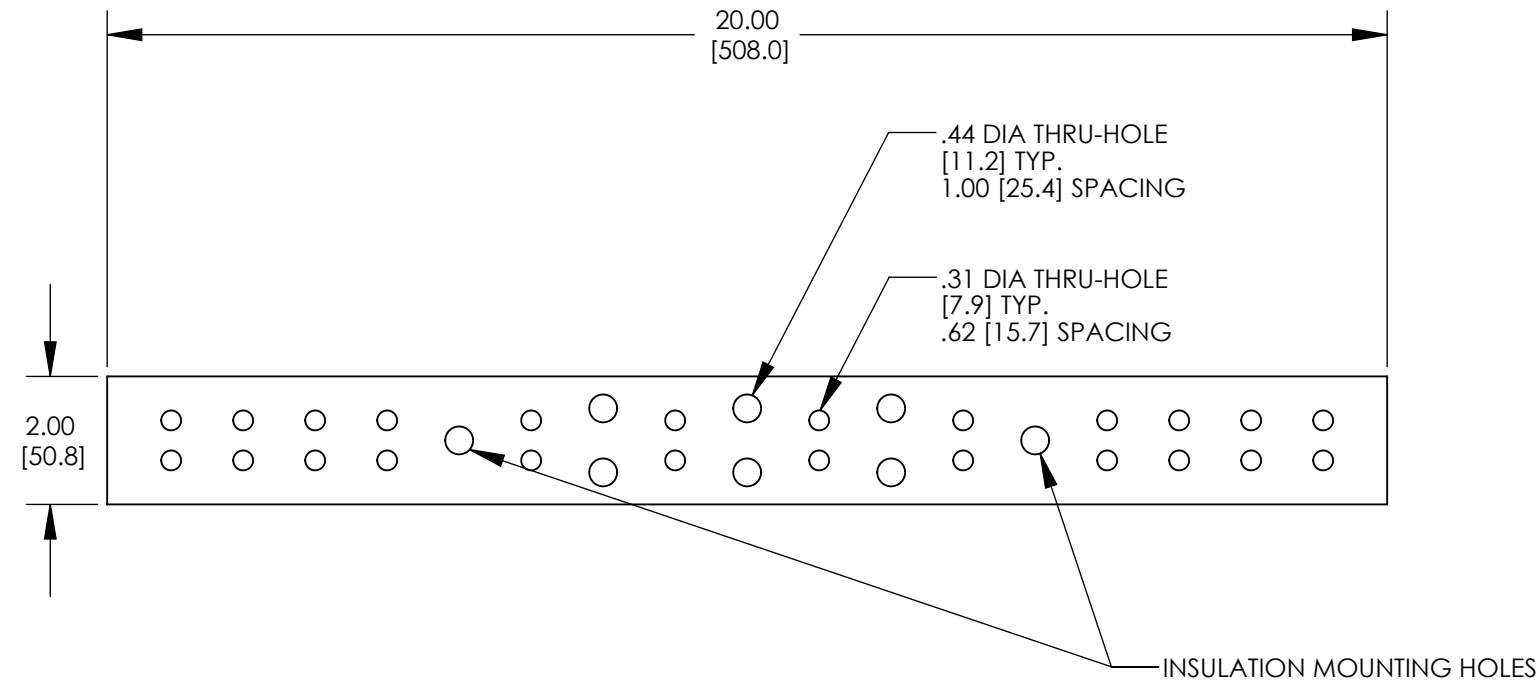
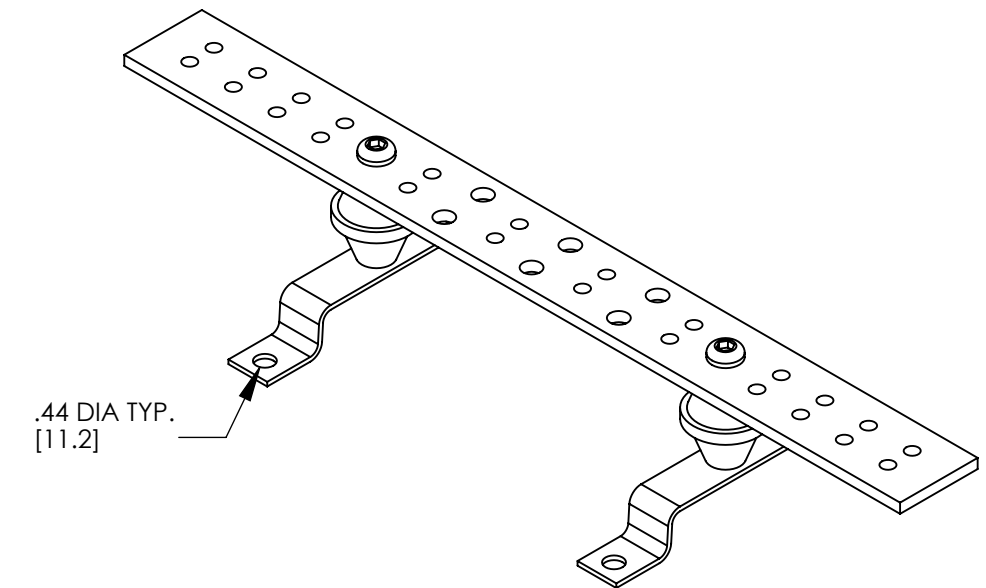
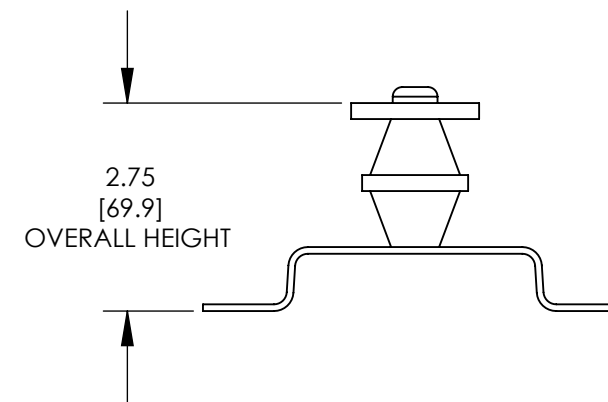
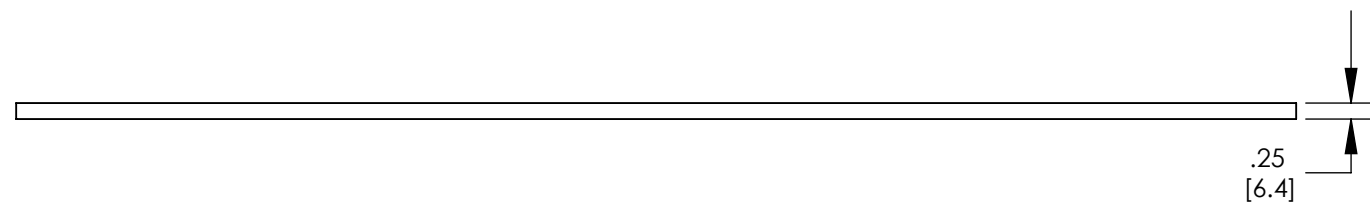


THIS COPY IS PROVIDED ON A RESTRICTED BASIS AND IS NOT TO BE USED IN ANY WAY DETRIMENTAL TO THE INTERESTS OF PANDUIT CORP.



NOTES:

1. KIT COMES FULLY ASSEMBLED
2. KIT INCLUDES BUSBAR, MOUNTING BRACKETS, INSULATORS, AND MOUNTING HARDWARE.
3. MEETS BICSI/ANSI/TIA-607-D
4. DIMENSIONS IN PARENTHESIS ARE MILLIMETERS.



ASSEMBLED AS SHOWN

REV	DATE	BY	CHK	APR	DESCRIPTION	ECN
06	3/22	JHNU	JHNU	ALP	REVISED NOTE 3: MEETS BICSI/ANSI/TIA-607-D WAS MEETS BICSI/J-STD-607-A	119913
05	3/13	JHNU	JHNU	RGB	DRAWING RELEASED	N41506BA-C41506

TITLE		GROUNDING BUSBAR (GB2B0312TPI) CUSTOMER DRAWING	
ITEM REVISION NAME	N41506BA/06		
DATASET FILE NAME	C41506 r06.SLDDRW		
UNLESS OTHERWISE SPECIFIED, DIMENSIONAL TOLERANCES ARE: IN [mm]		MATERIAL	
.X ±	.XXX ±	DRAWING NUMBER C41506	
.XX ±	ANGLES ±		
THIRD ANGLE PROJECTION		DRAWING NUMBER C41506	
DRAWN BY	DATE	CHK	SCALE
JHNU	2/05		NONE
SHEET 1 OF 1			SIZE B