

CUSTOMER PRINT

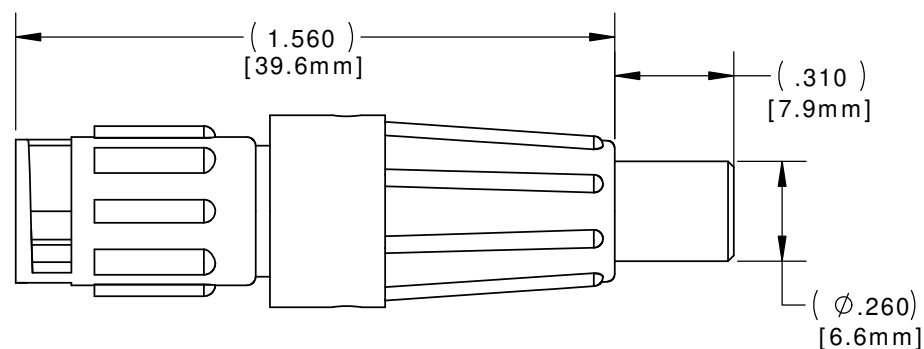
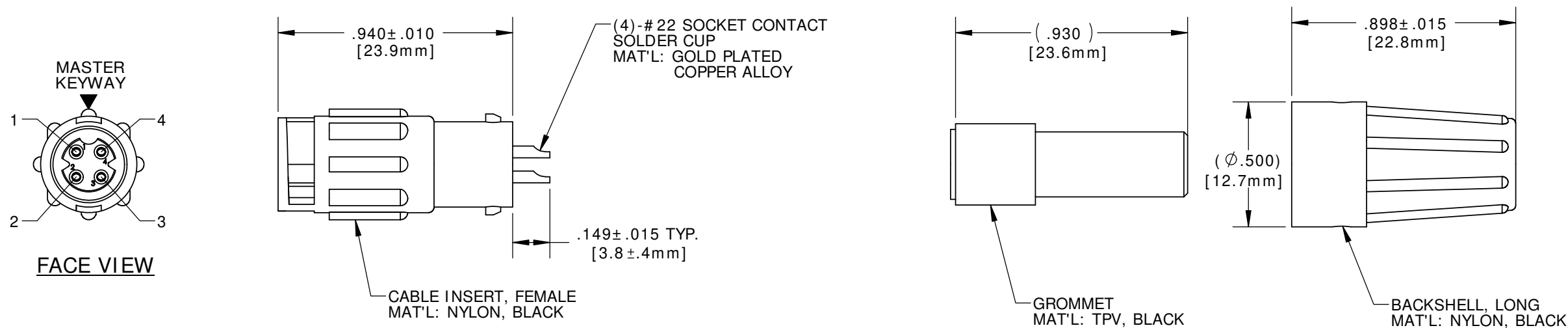
PART NUMBER: 18882-4SG-5XX

**NOTES:**

1. PARTS ARE TO BE BULK PACKED.
2. CONTACTS ARE ASSEMBLED INTO CONNECTOR.
3. PARENTHESIS ( ) INDICATE REFERENCE DIMENSION.
4. BRACKETS [ ] INDICATE METRIC DIMENSIONS.

ASS'Y P/N	CABLE O.D.
18882-4SG-518	0.175 - 0.185 [4.4-4.7]
18882-4SG-521	0.205 - 0.215 [5.2-5.5]
18882-4SG-522	0.215 - 0.225 [5.5-5.7]

GROMMET SIZE



**CUSTOMER APPROVAL**

THIS DOCUMENT CONTAINS CONFIDENTIAL INFORMATION PROPRIETARY TO CONXALL CORPORATION. ANY REPRODUCTION, DISCLOSURE, OR USE OF THIS DOCUMENT / INFORMATION IS EXPRESSLY PROHIBITED UNLESS AUTHORIZED IN WRITING BY CONXALL CORPORATION.

APPROVED BY: \_\_\_\_\_  
 DATE: \_\_\_\_\_

**RoHS COMPLIANT**

D	MA	08-16-18	UPDATED MFG DRAWING PER ECR 9211-4
C	AN	01-13-14	DRAWING NO. WAS 18882-4SG-XXX. REMOVED SHORT BACKSHELL ASSEMBLIES, ADDED TOLERANCE AND MATERIALS. PER ECR 8074
B	PD	09-01-11	UPDATE MANUFACTURING DRAWING PER ECR 7959
		07-21-10	CHANGED CONTACT SOLDER BARREL FROM 20AWG TO 22AWG
A	PAK	04-01-10	DRAWING CREATED PER DOR 06-E168CS
REV.	INIT.	DATE	DESCRIPTION
	PAK	03-24-10	ALL INFORMATION ILLUSTRATED IS THE PROPERTY OF CONXALL CORPORATION. UNAUTHORIZED DUPLICATION OR DISTRIBUTION OF THIS DOCUMENT IS PROHIBITED.
			ALL UNITS ARE IN FEET, INCHES, FRACTION OF INCHES AND DECIMALS.
APPROVED BY:		TITLE:	
SCALE: NTS		IN-LINE CONNECTOR KIT	
SIZE: B		(4) #22 SOCKET CONTACT, SOLDER	
SHEET: 1 OF 1		MICRO-CON-X	
FILE: 18882-4SG-5XX		CUSTOMER: STANDARD PRODUCT	
DIRECTORY: SLW		PART NUMBER: 18882-4SG-5XX	
			REV D