

FOR 15P

POS.	PART NO.	A	B	C	D	E	H
15	10090769-P154ALF	30.81	24.99	16.92	2.29	19.10	5.90 ^{+0.25} ₋₀
26	10090769-P264ALF	39.24	33.32	25.25	2.29	27.75	5.90 ^{+0.25} ₋₀
44	10090769-P444ALF	53.04	47.04	38.96	2.29	41.30	5.70 ^{+0.25} ₋₀

REMARK:

1. CHARACTERISTICS:

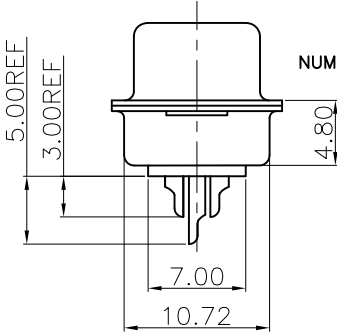
RATED VOLTAGE: 250V
 RATED CURRENT: 2.5AMP
 CONTACT RESISTANCE: 25mohms MAX. INITIAL,
 40mohms MAX. AFTER.
 INSULATION RESISTANCE: 5000Mohms MIN. at 500V DC
 DIELECTRIC STRENGTH: 750VRMS
 OPERATING TEMPERATURE RANGE: -55C° ~105C°
 INSERTION/EXTRACTION FORCE PER CONTACT: 5N Max. /0.2N Min.
 MATING/UNMATING CYCLES: 50MATINGS MIN FOR GOLD-FLASH

2. MATERIAL:

INSULATORS: THERMOPLASTIC G. F(UL94V-0) BLACK
 CONTACTS: COPPER ALLOY, GOLD(G/F) TOP OVER CONTACT
 AREA, 100u" Min MATTE TIN TOP OVER SOLDER AREA,
 50u" Min NICKEL UNDER PLATE.
 SHELL: CARBON STEEL, 100u" Min NICKEL TOP OVER,
 50u" Min COPPER UNDER PLATE.

3. PART NUMBER DESCRIPTION: 10090769-P XX 4 A LF

SERIES NO. _____
 TYPE: P: PIN (MALE)
 NUMBER OF CONTACTS:
 15: 15-PIN
 26: 26-PIN
 44: 44-PIN
 LF: ROHS COMPLIANT
 FLANGE MOUNTING OPTION
 A: STANDARD HOLE
 CONTACT FINISH
 4: GOLD FLASH



POS.	WIRE AWG
15	24~28
26	24~28
44	24~28

mat'l. code		surface		tolerance		projection		product family	
SEE NOTES		ISO 1302	ISO 406 ISO 1101	tolerances unless otherwise specified		MM		D-SUB	
ltr	ecn no	dr	date	angles	metal	MM		title	
C	ELX-I-20164	AB	2015/02/03		.X ± 0.38	scale 1:1		H/D D-SUB MALE SOLDER BUCKET	
D	ELX-I-20490	MP	2015/03/17		.XX ± 0.25			-	
E	ELX-I-20972	AB	2015/05/30	0° ± 2'	.XXX ± 0.10			-	
-		-		dr	JASON HSU	12/10/09		dwg no	
-		-		enrg	ALIAS BABU	2015/02/03		sheet 1 of 1	
-		-		chr	MITHUN PAUL	2015/02/03		size	
-		-		appd	BIJU K PAUL	2015/02/03		A4	
sheet		revision		E		-		10090769	
index		sheet		1		-		type PRODUCT_CUSTOMER Drawing	