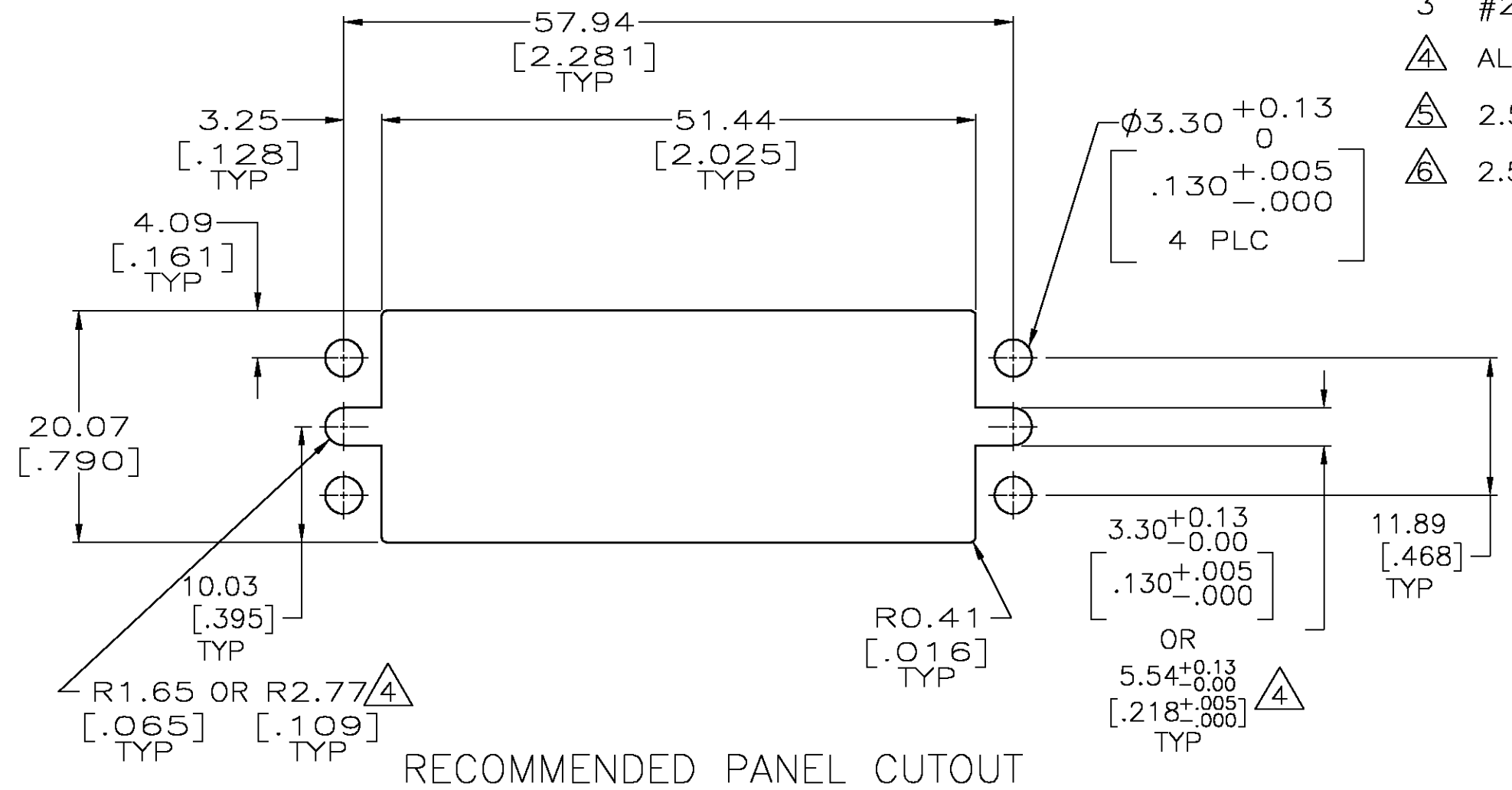
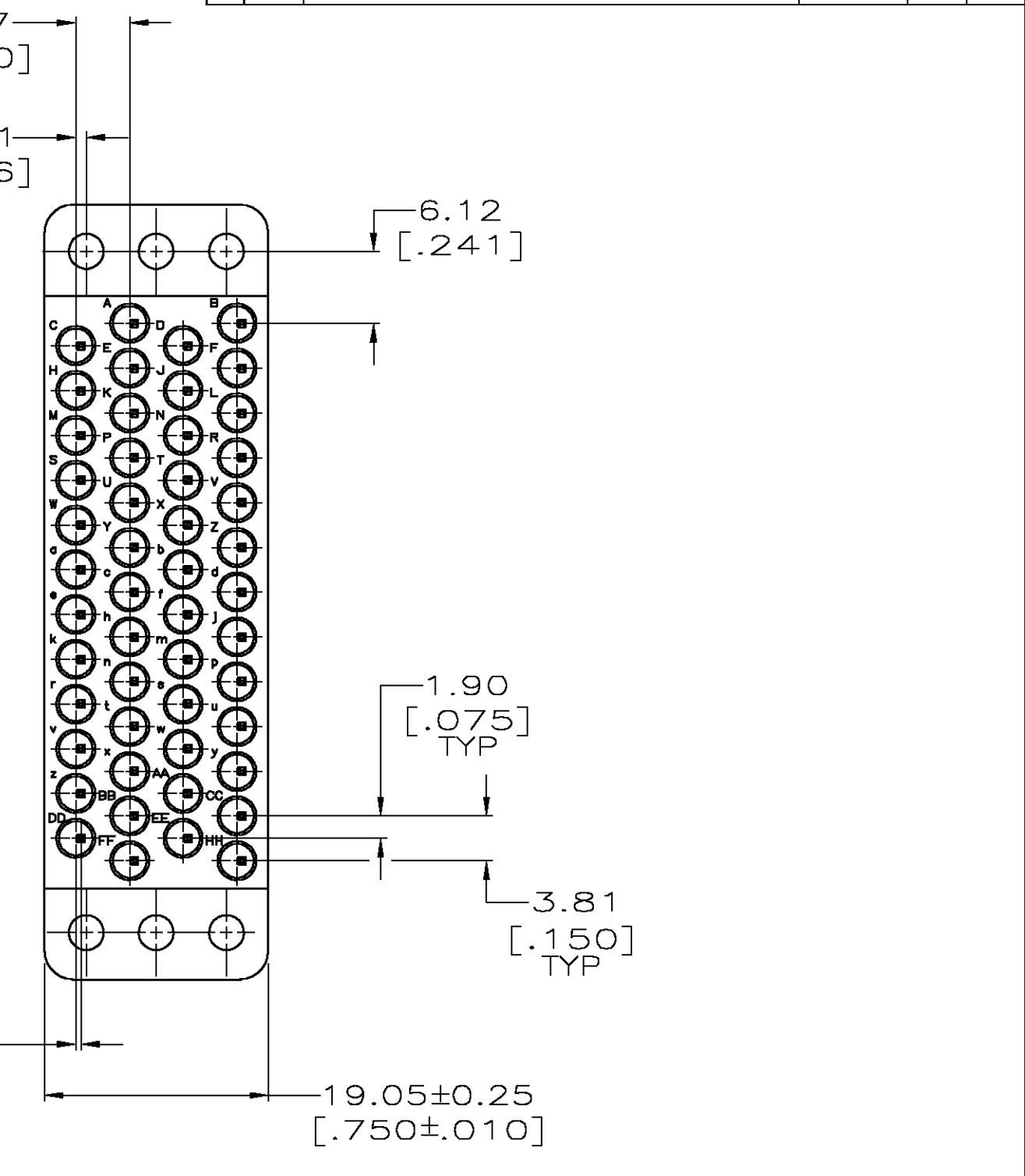
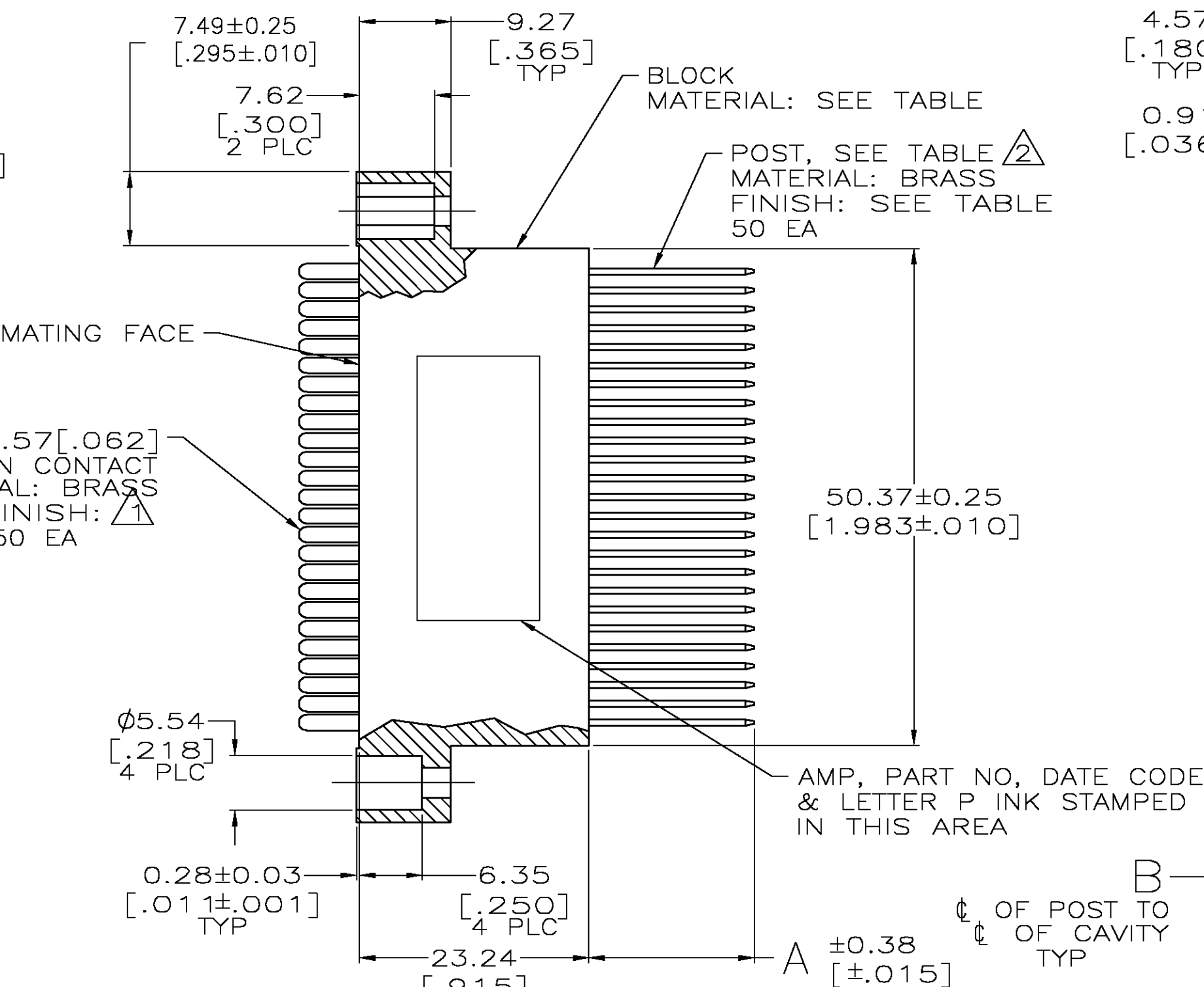
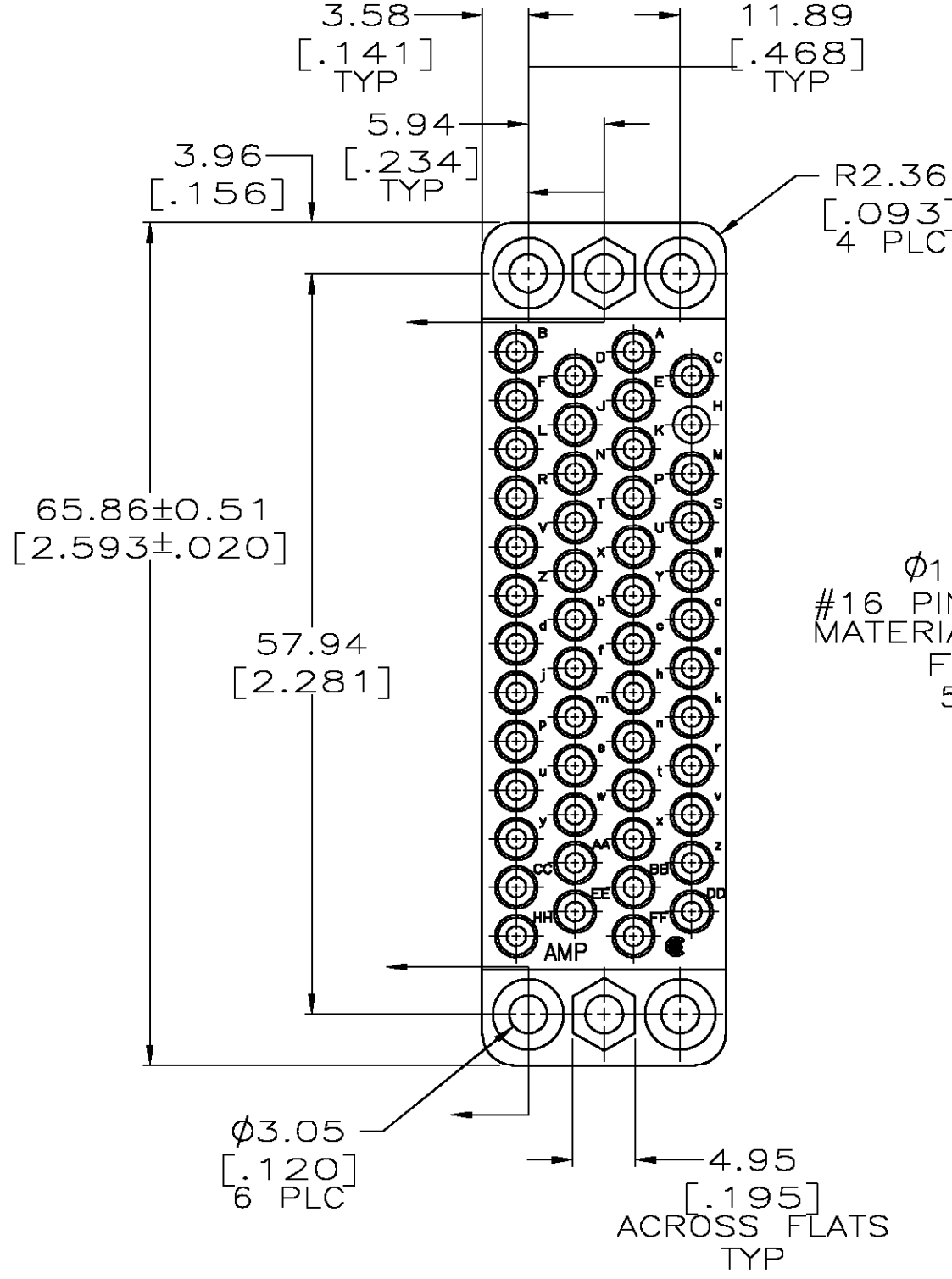


THIS DRAWING IS UNPUBLISHED. RELEASED FOR PUBLICATION
 © COPYRIGHT BY TYCO ELECTRONICS CORPORATION. ALL RIGHTS RESERVED.

LOC		DIST		REVISIONS			
P	LTR	DESCRIPTION	DATE	DWN	APVD		
FT	0						
	U	REVISED PER 0G3B-0095-05	3/31/05	SS	GS		



- △ 0.76um[.000030] MIN GOLD FOR A LENGTH OF 5.08[.200] MIN FROM MATING END WITH GOLD FLASH ON REMAINDER, ALL OVER 1.27um[.000050] MIN NICKEL.
- △ POSTS ARE SEMI-AUTOMATICALLY WIREABLE AND WILL ACCOMODATE 3 TERMINATIONS.
- 3 #24 AWG MAX WIRE TO BE USED WITH THIS CONNECTOR.
- △ ALTERNATE DIMENSIONS FOR USE WITH JACK SCREWS.
- △ 2.54um[.000100] MIN TIN-LEAD OVER 1.27um[.000050] MIN NICKEL.
- △ 2.54um[.000100] MIN TIN OVER 1.27um[.000050] MIN NICKEL.

△	0.43 [.017]	16.74 [.659]	0.64x0.64 [.025x.025]	PHENOLIC BLACK	5-205156-9
△	-	20.57 [.810]	0.79x1.57 [.031x.062]	DIALYL PHTHALATE BLUE	5-205156-8
△	0.43 [.017]	16.74 [.659]	0.64x0.64 [.025x.025]	PHENOLIC BLACK	205156-1
POST FINISH	B	A	POST	BLOCK MATERIAL	PART NUMBER

THIS DRAWING IS A CONTROLLED DOCUMENT.

DIMENSIONS: mm [INCHES]	TOLERANCES UNLESS OTHERWISE SPECIFIED:	DWN C. REIFSNYDER 07 FEB 96	Tyco Electronics Corporation Harrisburg, Pa 17105-3608
	0 PLC ± -	CHK R. STONE 22 FEB 96	
	1 PLC ± -	APVD M. MCALONIS 22 FEB 96	
	2 PLC ± 0.13 [.005]	PRODUCT SPEC	
MATERIAL SEE CALLOUTS	FINISH SEE CALLOUTS	WEIGHT -	NAME: PIN ASSY, 50 POSITION, AUTOWIREABLE, STD M SERIES SIZE: A2 CAGE CODE: 00779 DRAWING NO: C=205156 RESTRICTED TO: - CUSTOMER DRAWING SCALE: 2:1 SHEET 1 OF 1 REV U