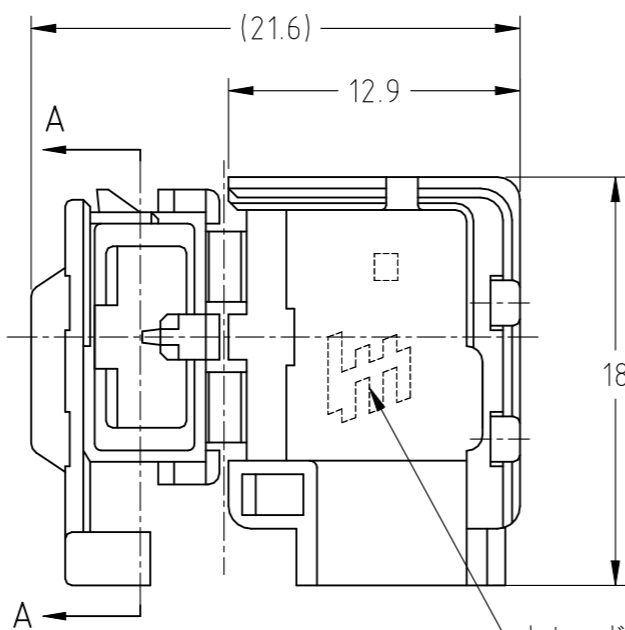
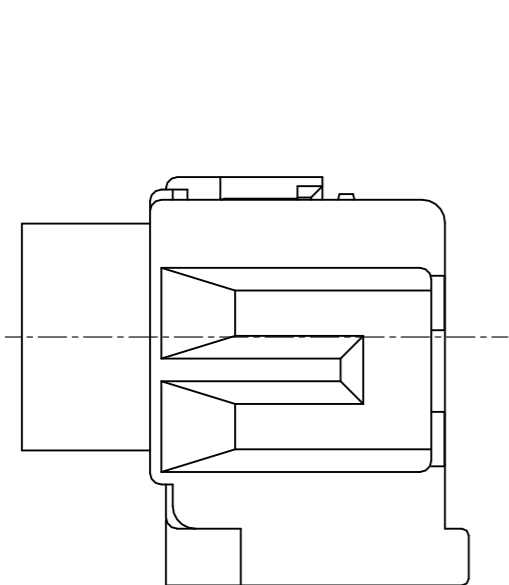
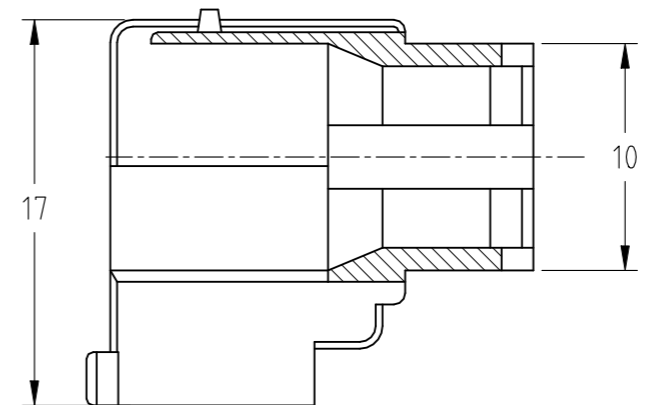


THIS DRAWING IS UNPUBLISHED. RELEASED FOR PUBLICATION
 © COPYRIGHT BY TYCO ELECTRONICS CORPORATION. ALL RIGHTS RESERVED.

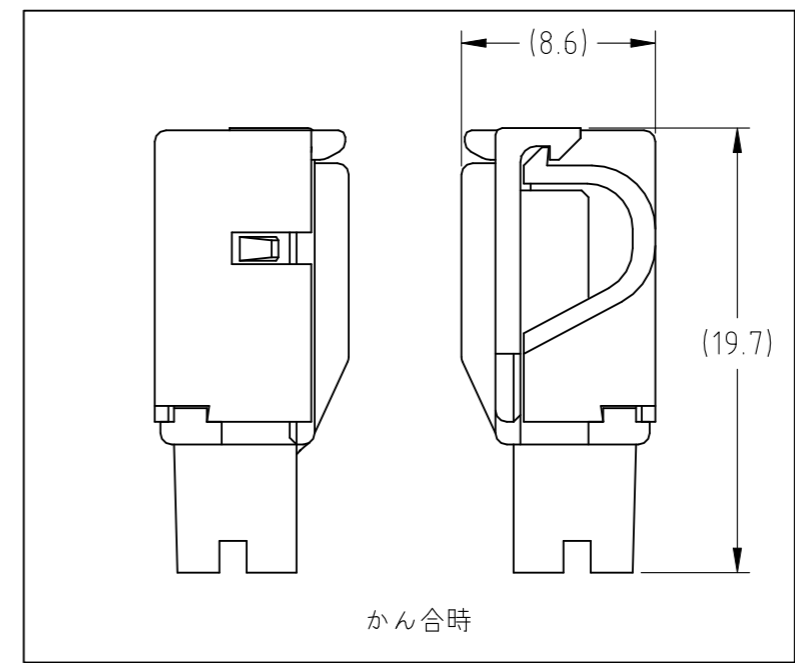
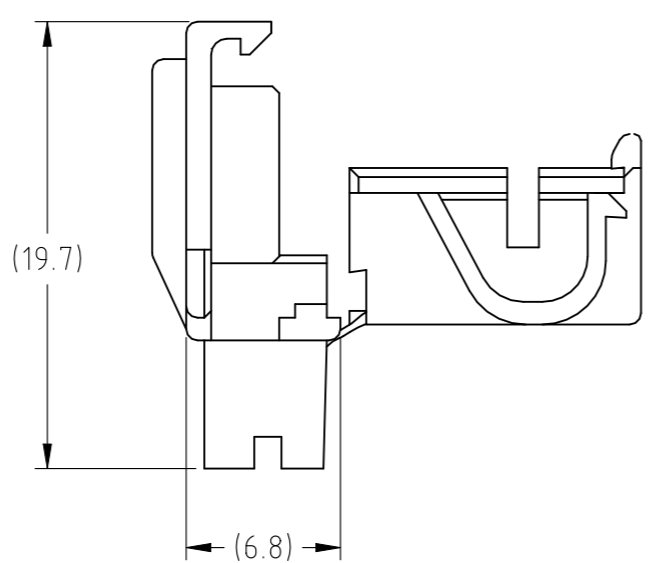
LOC	DIST	REVISIONS					
J	—	P	LTR	DESCRIPTION	DATE	DWN	APVD
		C		REVISED ECR-20-012137	15OCT21	L.Z	E.W



トレードマーク
TRADE MARK



断面A-A
SECT A-A



- 注記：
 1. 一般公差: ±0.3
 2. 適用端子型番: 175057-X

- NOTES
 1. GENERAL TOLERANCE : ±0.3
 2. APPLICABLE CONTACT PART NUMBER : 175057-X

BLACK	2013799-1
COLOR	P/N

THIS DRAWING IS A CONTROLLED DOCUMENT.		DWN J.SATO 29NOV2007	Tyco Electronics Corporation Kawasaki, Japan	
DIMENSIONS: 単位: 耗 mm		CHK S.MANABE 29NOV2007	Tyco Electronics Corporation	
TOLERANCES UNLESS OTHERWISE SPECIFIED: 一般公差		APVD S.MANABE 29NOV2007	NAME 名称	
0 PLC ± 1 PLC ± 2 PLC ± 3 PLC ± 4 PLC ± ANGLES ±		PRODUCT SPEC 製品規格 108-78514	250 SERIES ONE TOUCH SLEEVE	
MATERIAL 材料 4/6NYLON (UL94V-0)		FINISH 仕上	APPLICATION SPEC 取付適用規格	RESTRICTED TO 番号
		WEIGHT	SIZE A3	CAGE CODE 00779
		CUSTOMER DRAWING	DRAWING NO C-2013799	SCALE 尺度 3:1
			SHEET 1 OF 1	REV C