

4

3

2

1

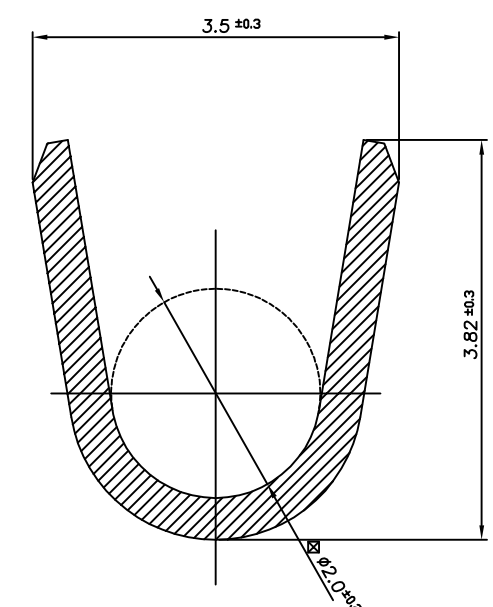
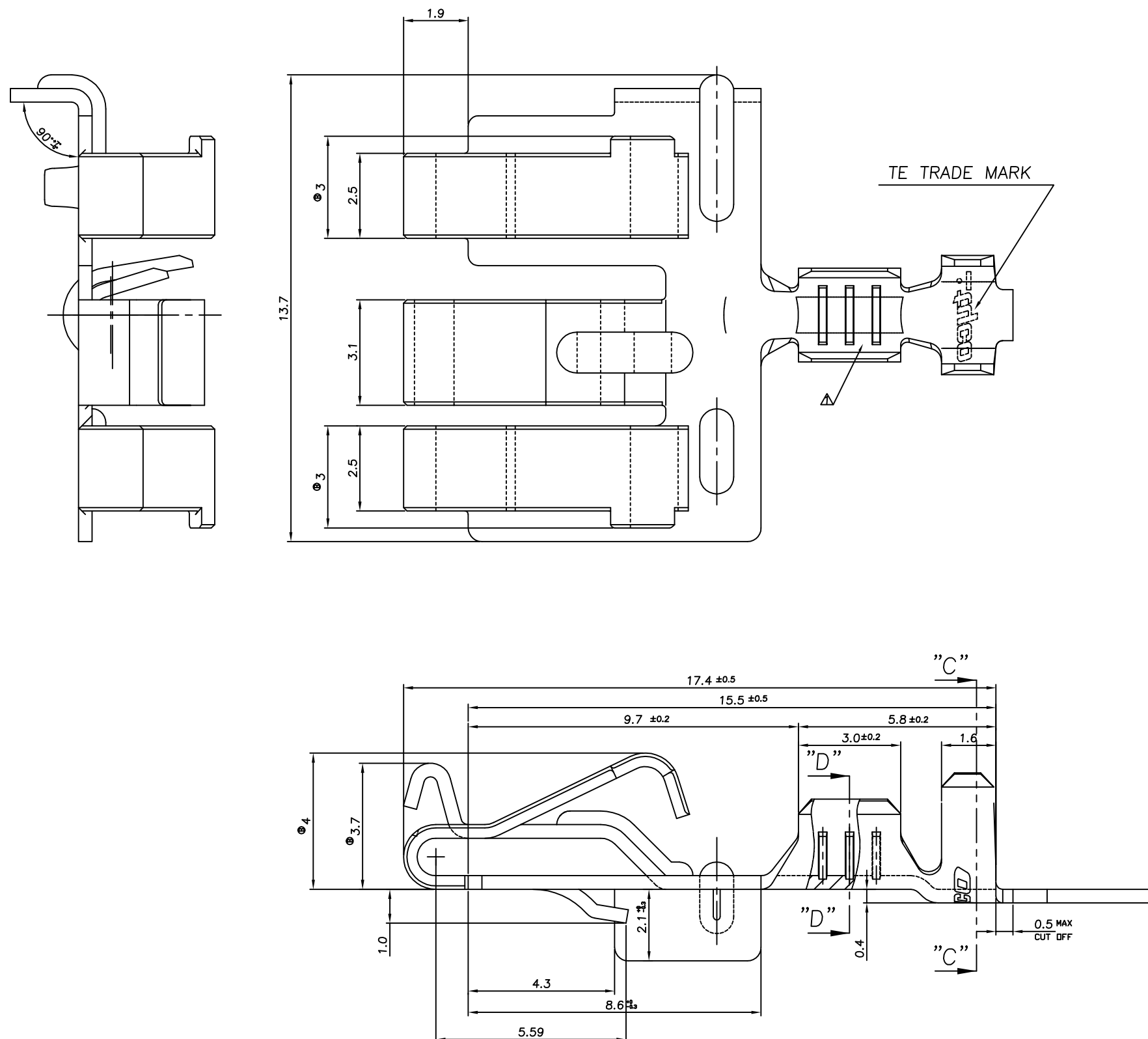
THIS DRAWING IS UNPUBLISHED.

RELEASED FOR PUBLICATION

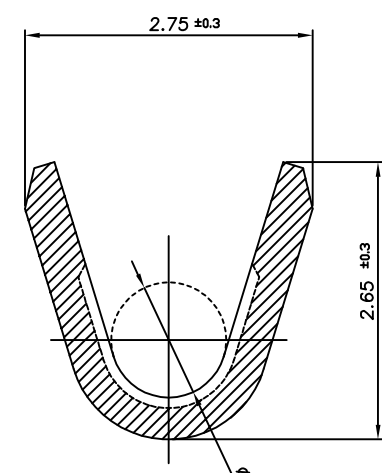
© COPYRIGHT

ALL RIGHTS RESERVED.

LDC	DIST	REVISIONS					
		P	LTR	DESCRIPTION	DATE	DWN	APVD
DS	-	A	RELEASED		24.JAN.'08	IS	JK
		B	REVISED		11.MAR.'08	IS	HG



SECTION "C-C"  
Scale 20/1

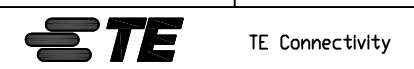


SECTION "D-D"  
Scale 20/1

\* NOTES  
 ▲ THREE SERRATIONS CENTERED IN WIRE BARREL.  
 2 WIRE SIZE EQUIV AVS 0.5~ AVS 0.85 Sqmm.

PRE-TINNED	Cu Alloy	0.40THK.	1897370-1
FINISH	MATERIAL		PART NUMBER

<small>THIS DRAWING IS A CONTROLLED DOCUMENT FOR TYCO ELECTRONICS CORPORATION. IT IS SUBJECT TO CHANGE AND THE CONTROLLING ENGINEERING ORGANIZATION SHOULD BE CONTACTED FOR THE LATEST REVISION.</small>		DWN	IS	WDD
DIMENSIONS: MM 		CHK	YM	CHDI
TOLERANCES UNLESS OTHERWISE SPECIFIED: Ø-PLG ± 1-PLG ± 2-PLG ± 0.3 3-PLG ± 4-PLG ± ANGLES ± 2° FINISH -		APVD	HG	CHD
MATERIAL -		PRODUCT SPEC	-	
		APPLICATION SPEC	-	
		WEIGHT	-	
		SIZE	A200779	C=1897370
		CUSTOMER DRAWING	SCALE 10/1	SHEET 1 OF 1 REV B



GROUND TML FOR T-20 BULB ASS'Y