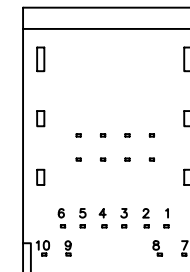
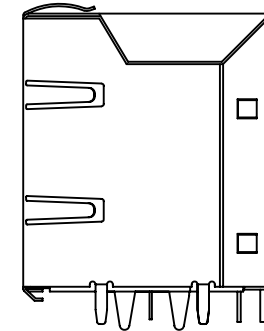
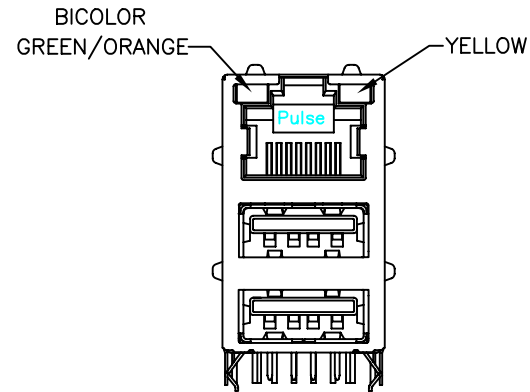
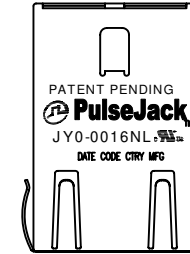


NOTES:

1. ROHS COMPLIANT
2. PLASTIC HOUSING: THERMOPLASTIC MATERIAL WITH FLAMMABILITY RATING UL 94V-0 OR BETTER.
3. CONTACTS PLATING:
FCC CONTACTS PLATING: 15 MICROINCHES GOLD PLATING.
USB CONTACTS PLATING: 30 MICROINCHES GOLD PLATING.
4. CONTACTS BASE MATERIAL: PHOSPHOR BRONZE
5. UNDER PLATING: 50-100u INCHES NICKEL
6. SOLDER TAIL PLATING : 150 uINCHES 100% TIN, MATTE FINISH.
7. METAL SHIELD: NICKEL PLATING ON COPPER ALLOY.
8. JACK CAVITY CONFORMS TO FCC PART 68 SUBPART.
9. PCB PLATING: HASL
10. STORAGE TEMPERATURE: -20°C TO +125°C
11. COMPLIANCE TO J-STD:
 - A. J-STD-002: SOLDERABILITY AT 245°C DIP AND LOOK TEST
 - B. J-STD-020: LEVEL 1, NO MOISTURE SENSITIVE
 - C. J-STD-075: W2, 270°C MAXIMUM THROUGH WAVE SOLDER

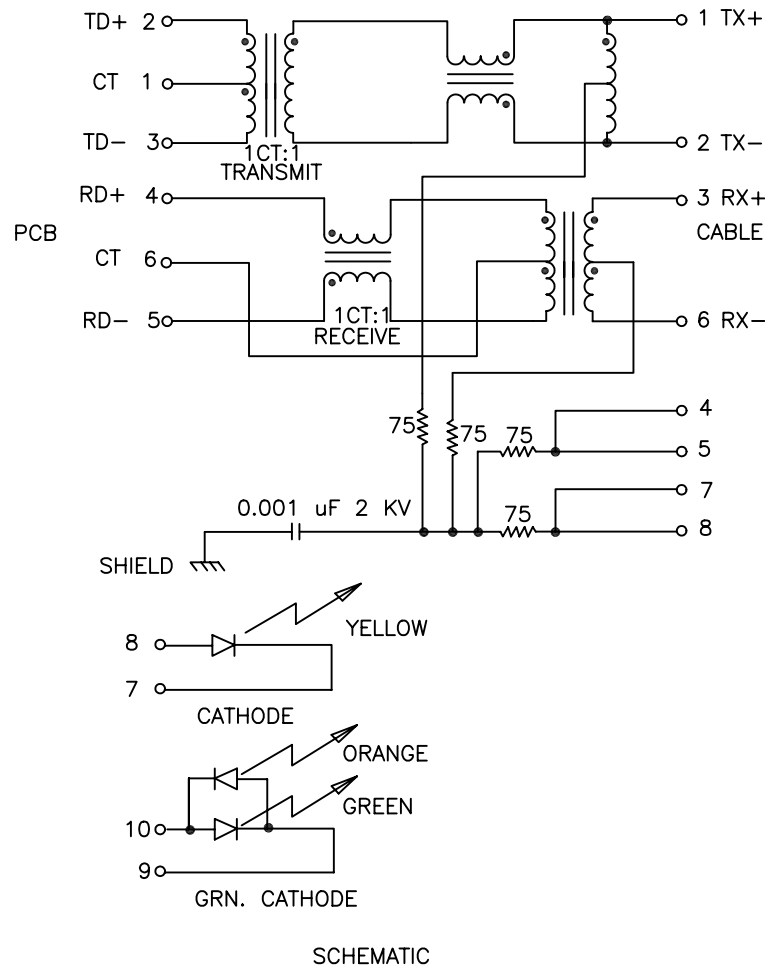


BOTTOM VIEW

FINAL OUTLINE

© Copyright, 2014. Pulse Electronics Corp. All rights reserved. Pulse confidential & proprietary. (05/13/14)

| PRODUCT DESCRIPTION | TLA DRAWING | PS DRAWING | SHEET | PART NO. | DATASHEET REV. |
|-------------------------------|---------------|---------------|--------|------------|----------------|
| CONN,RJ45/USB,USB,100D,1:1,TY | JY0-0016NL-12 | PS-2148.004-A | 1 OF 4 | JY0-0016NL | A |



ELECTRICAL CHARACTERISTICS AT +25°C UNLESS OTHER SPECIFIED
MEETS IEEE 802.3 SPECIFICATION

| PARAMETER | SPECIFICATIONS | | |
|--|--|---|------------|
| OPERATING TEMP | 0°C - 70 °C | | |
| URNS RATIO | 1 : 1 ±2% | | |
| POLARITY | PER SCHEMATIC | | |
| INSERTION LOSS | 100 KHz | 1-125 MHz | |
| | -1.2 dB MAX | -0.2-0.002*f ^{1.4} dB MAX | |
| RETURN LOSS (Z _{out} = 100 OHM ±15%) | .1-30 MHz | 30-60 MHz | 60-80 MHz |
| | -16 dB MIN | -10+20*LOG ₁₀ (f/60 MHz) dB MIN | -10 dB MIN |
| | INDUCTANCE (OCL) (MEDIA SIDE, 0°C-70°C) | | |
| CROSSTALK, ADJACENT CHANNELS | 1 MHz | 10-100 MHz | |
| | -50 dB MIN | -55+22*LOG ₁₀ (f/10) dB MIN | |
| COMMON MODE REJECTION RATIO | 2 MHz | 30-200 MHz | |
| | -50 dB MIN | -15+20*LOG ₁₀ (f/200) dB MIN | |
| INPUT - OUTPUT ISOLATION | 1500 VRMS MIN @ 60 SECONDS | | |

NOTE: f IS FREQUENCY IN MHZ.

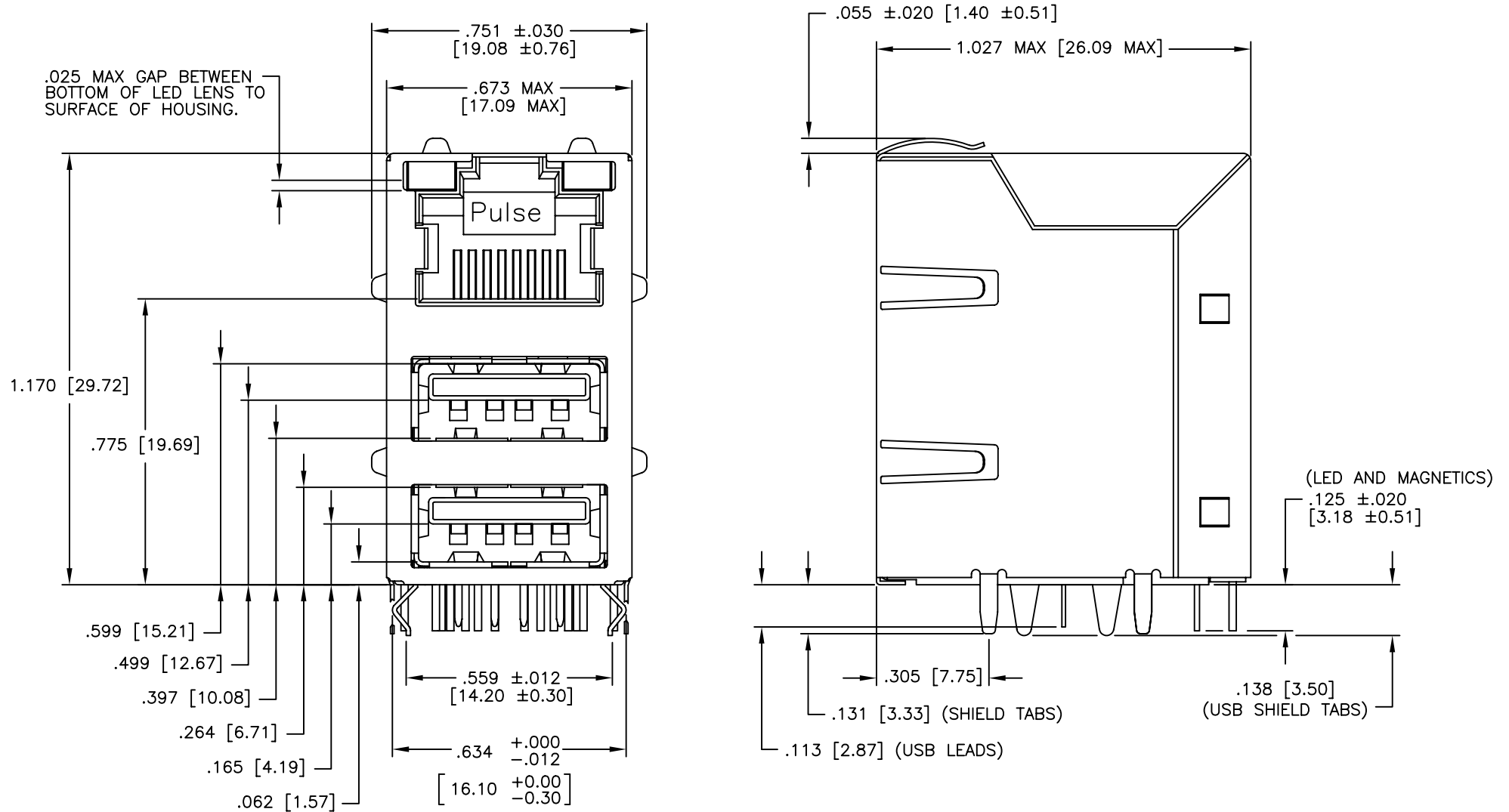
| EMMITTED COLOR | YELLOW | GREEN | ORANGE |
|---|------------------|------------------|------------------|
| WAVELENGTH (nm) | 585 nm | 568 nm | 610 nm |
| BRIGHTNESS - TYP (mCD) I _f (mA) | 10 20 | 8.5 20 | 6 20 |
| VIEWING ANGLE | 100° | 100° | 100° |
| POWER DISSIPATION (Pd) | 68 mW MAX | 100 mW MAX | 80 mW MAX |
| PEAK FORWARD CURRENT(10 μS PULSE) | 150 mA MAX | 150 mA MAX | 150 mA MAX |
| FORWARD VOLTAGE (V _r) (I _f = 20mA) | 2.0 TO 2.5 VOLTS | 2.0 TO 2.5 VOLTS | 2.0 TO 2.5 VOLTS |

NOTE: PER VENDOR'S SPECIFICATION

BICOLOR

© Copyright, 2014. Pulse Electronics Corp. All rights reserved. Pulse confidential & proprietary. (05/13/14)

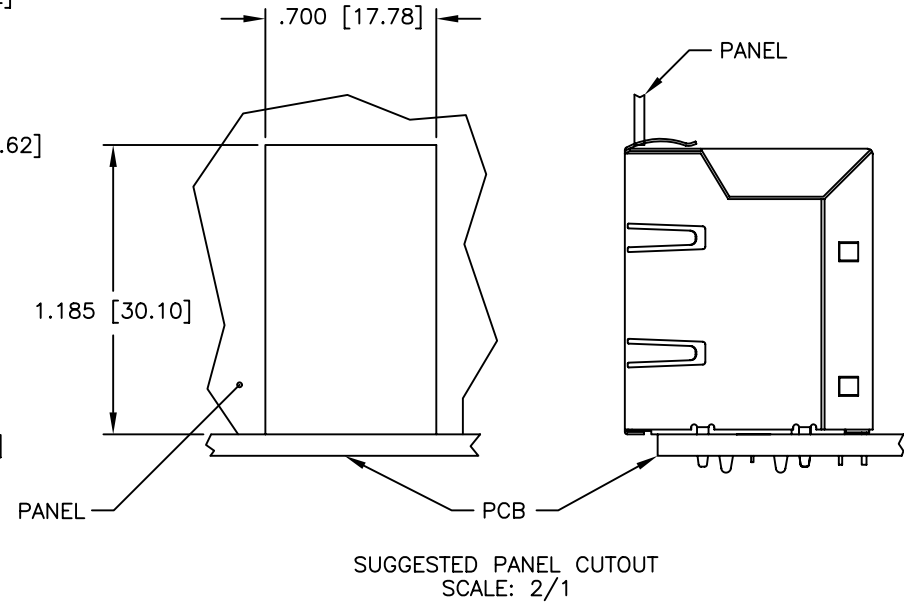
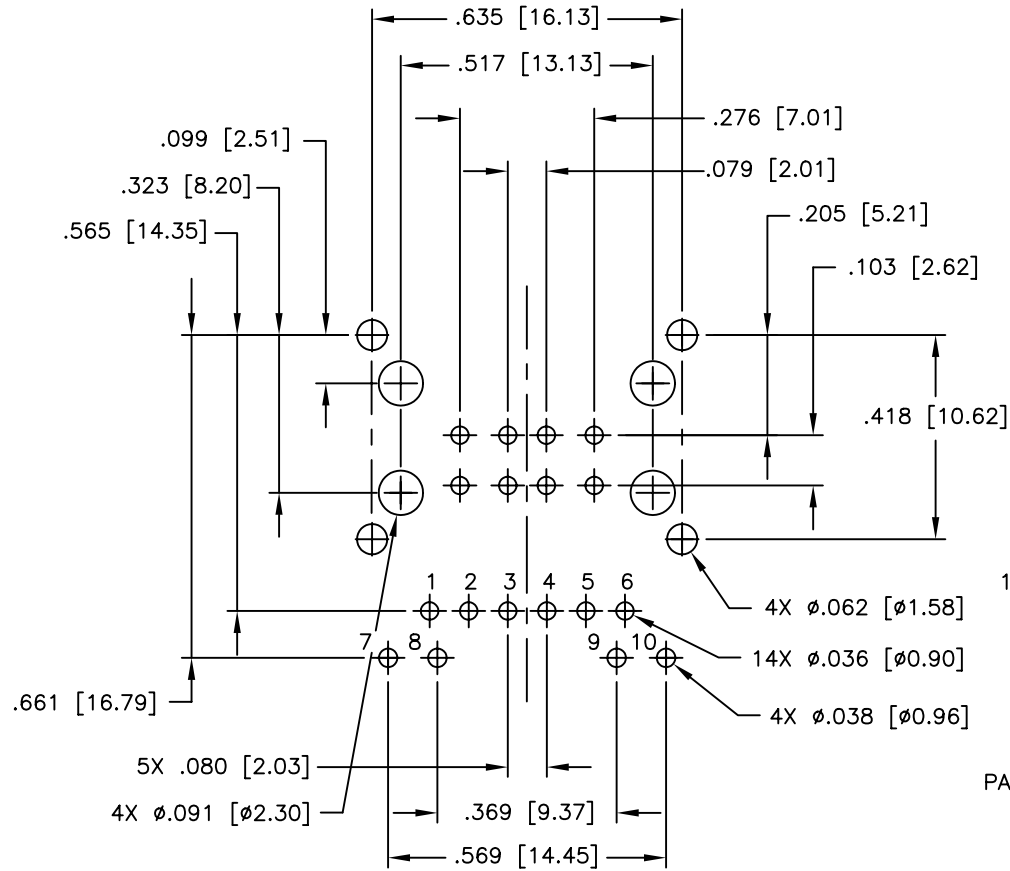
| PRODUCT DESCRIPTION | TLA DRAWING | PS DRAWING | SHEET | PART NO. | DATASHEET REV. |
|-------------------------------|---------------|---------------|--------|------------|----------------|
| CONN,RJ45/USB,USB,100D,1:1,TY | JY0-0016NL-12 | PS-2148.004-A | 2 OF 4 | JY0-0016NL | A |



DIMENSIONS ARE IN INCHES [MILLIMETERS] WITH THE FOLLOWING TOLERANCES: [MILLIMETERS] ARE FOR REFERENCE ONLY.
 .XX= ±.010 [±0.25]

© Copyright, 2014. Pulse Electronics Corp. All rights reserved. Pulse confidential & proprietary. (05/13/14)

| PRODUCT DESCRIPTION | TLA DRAWING | PS DRAWING | SHEET | PART NO. | DATASHEET REV. |
|-------------------------------|---------------|---------------|--------|------------|----------------|
| CONN,RJ45/USB,USB,100D,1:1,TY | JY0-0016NL-12 | PS-2148.004-A | 3 OF 4 | JY0-0016NL | A |



SUGGESTED FOOTPRINT (SHOWN FROM COMPONENT SIDE)

DIMENSIONS ARE IN INCHES [MILLIMETERS] WITH THE FOLLOWING TOLERANCES: [MILLIMETERS] ARE FOR REFERENCE ONLY.
.XX = ±.003 [±0.08]

© Copyright, 2014. Pulse Electronics Corp. All rights reserved. Pulse confidential & proprietary. (05/13/14)

| PRODUCT DESCRIPTION | TLA DRAWING | PS DRAWING | SHEET | PART NO. | DATASHEET REV. |
|-------------------------------|---------------|---------------|--------|------------|----------------|
| CONN,RJ45/USB,USB,100D,1:1,TY | JY0-0016NL-12 | PS-2148.004-A | 4 OF 4 | JY0-0016NL | A |