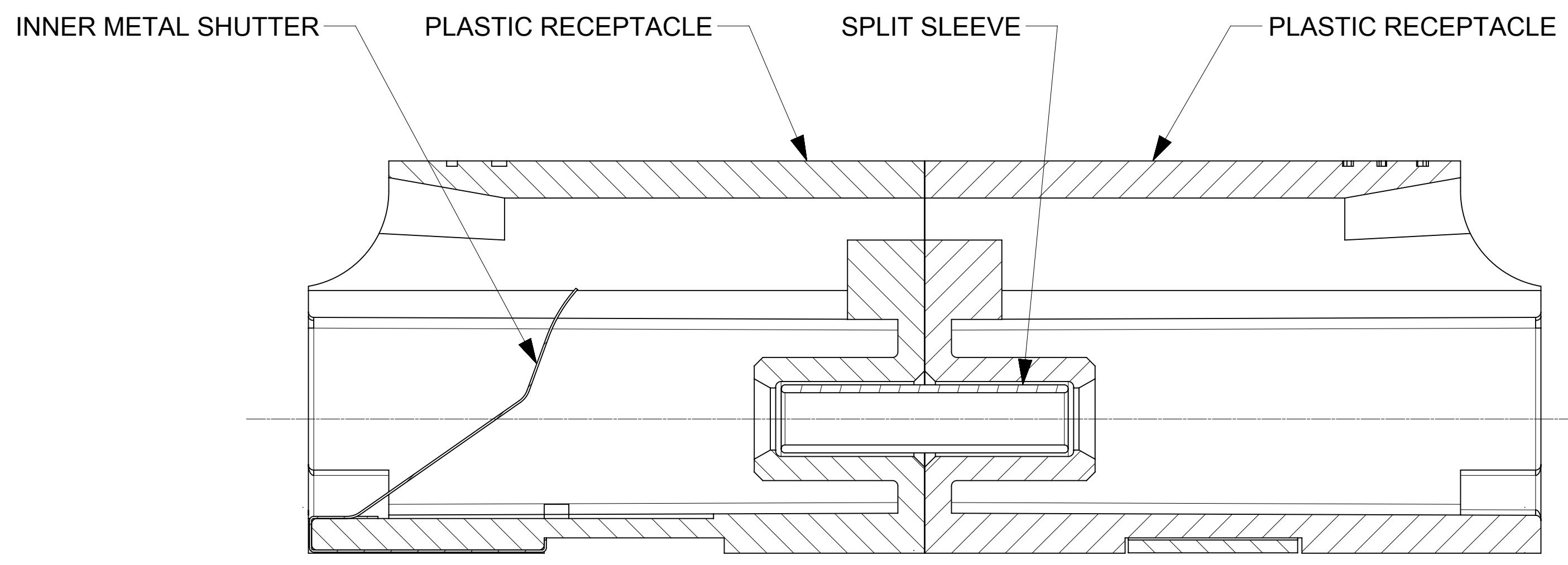
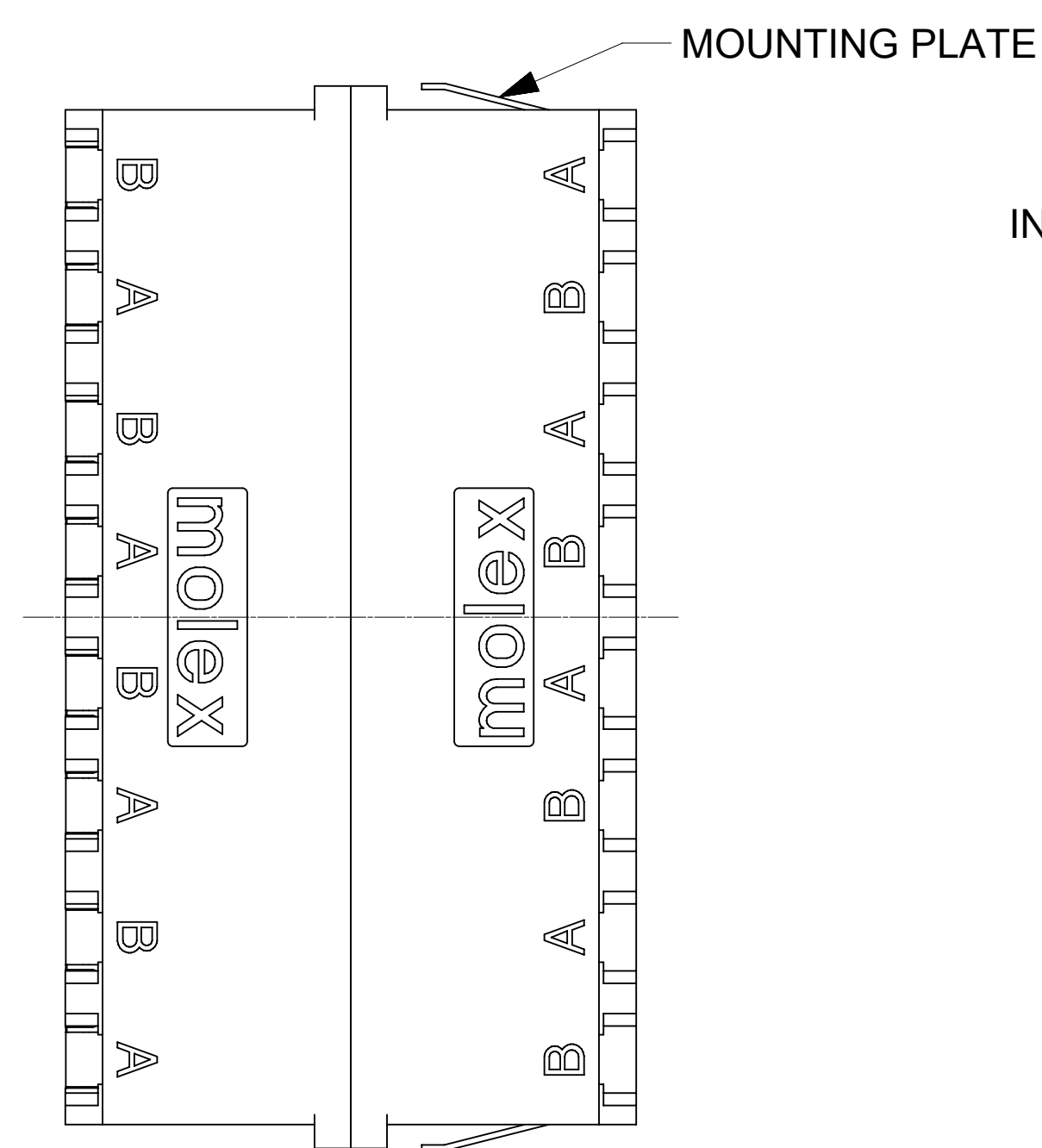
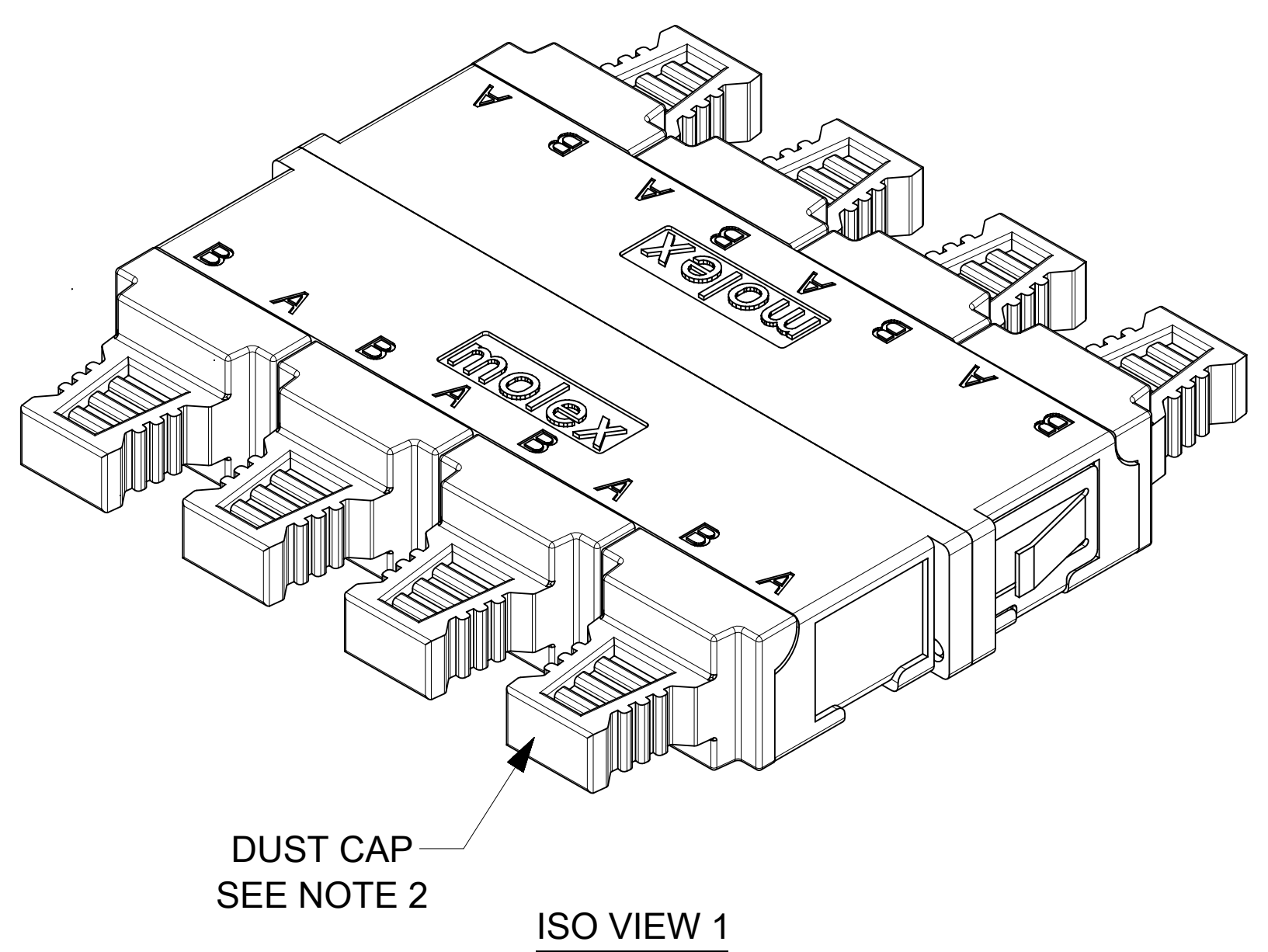
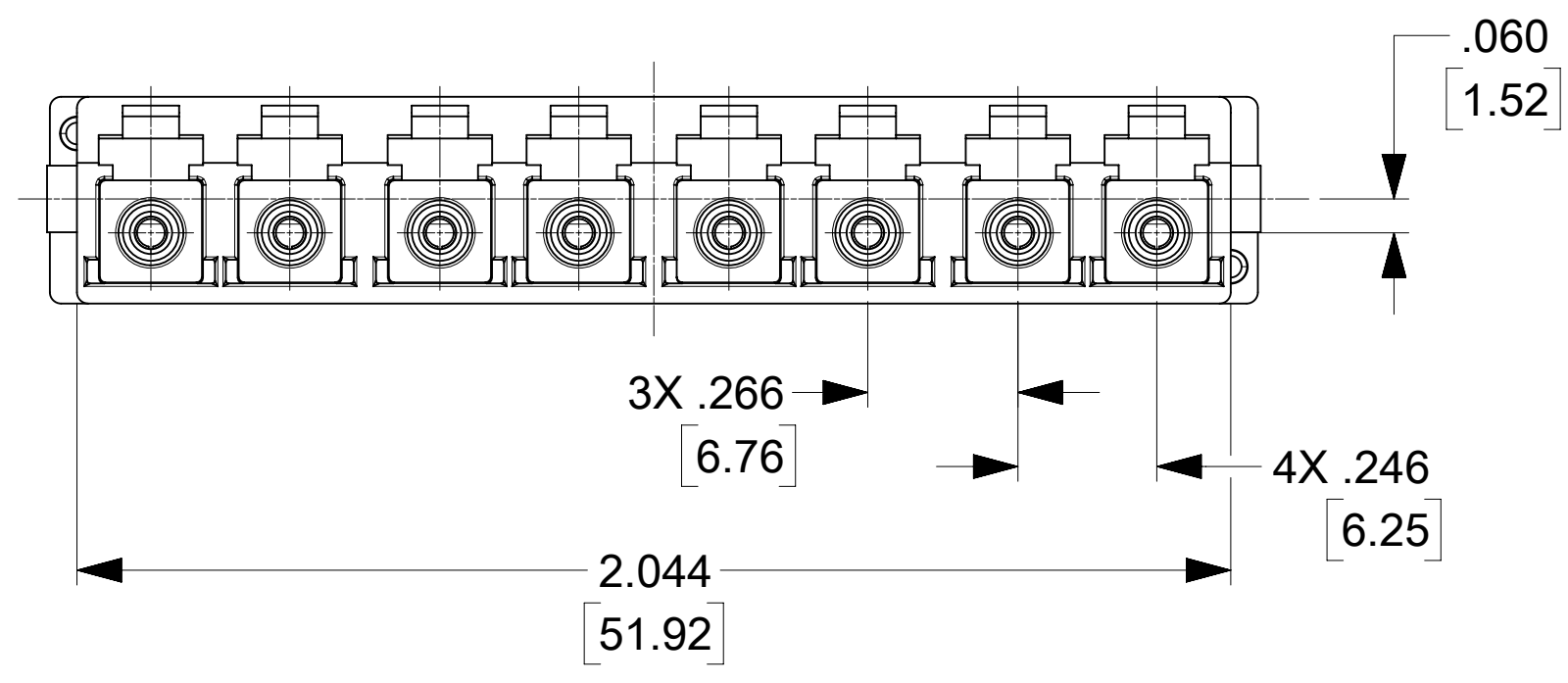
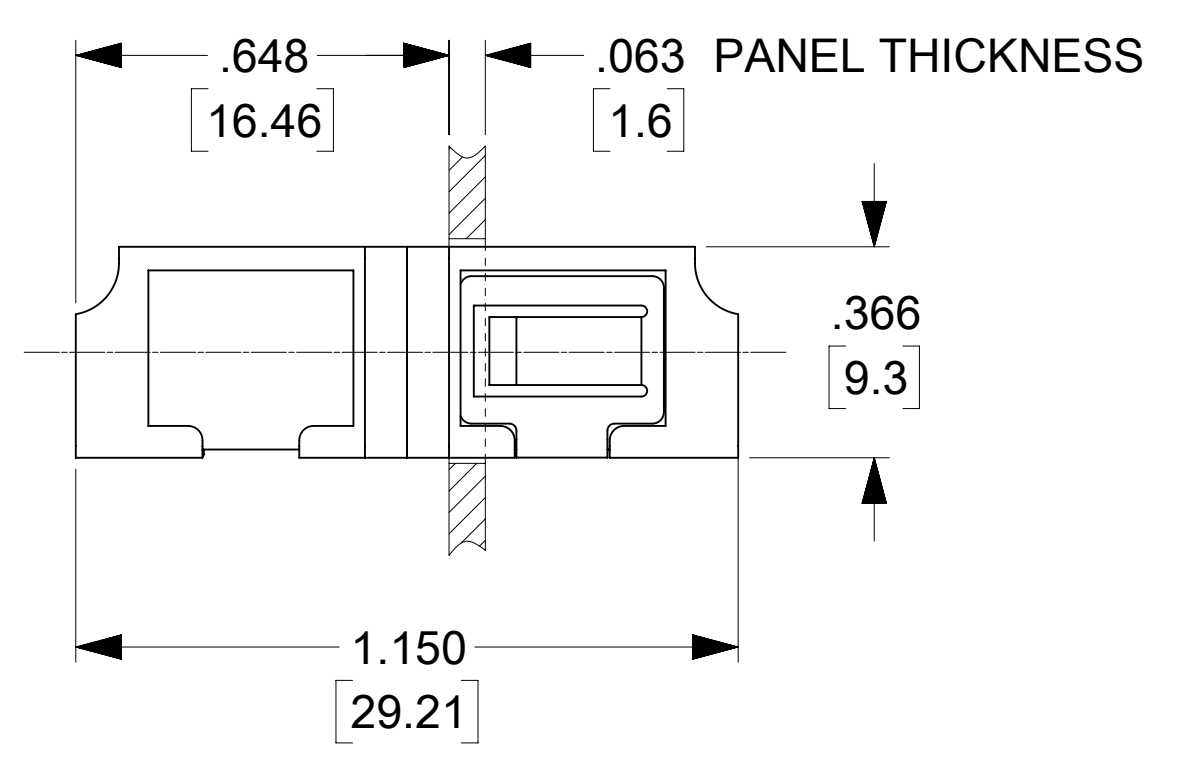
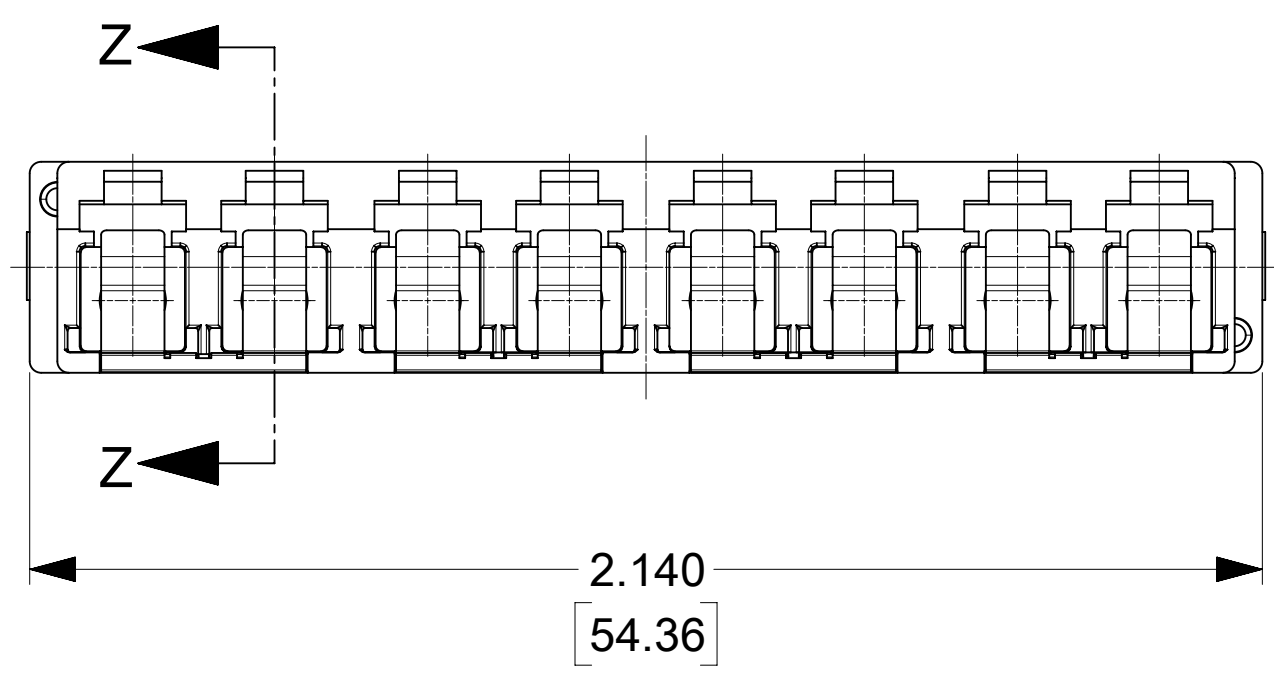


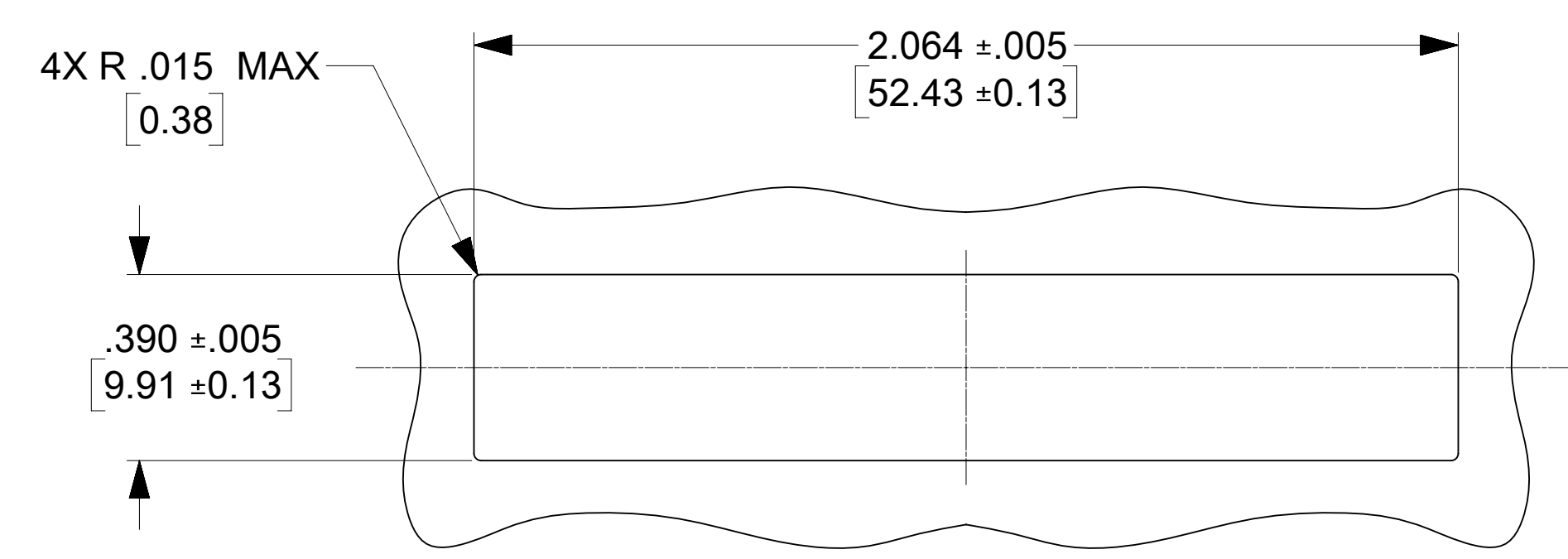
LC 8 PORT ADAPTER P/N	ADAPTER COLOR	SPLIT SLEEVE MATERIAL
106121-0460	GREEN	CERAMIC
106121-0470	BEIGE	
106121-0480	AQUA	



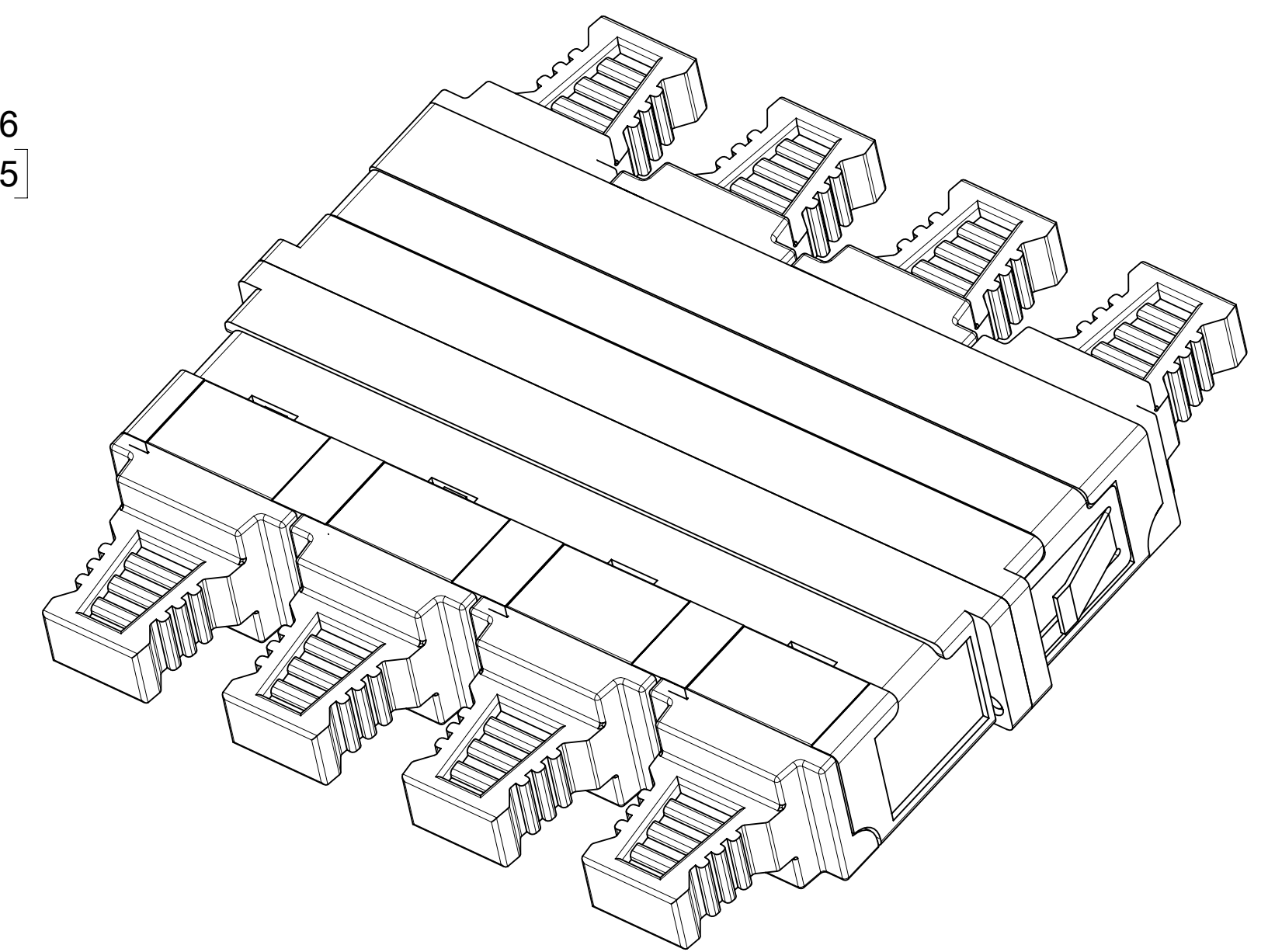
SECTION Z-Z
SCALE 10:1



ISO VIEW 1



RECOMMENDED
MOUNTING PATTERN



ISO VIEW 2

- NOTES:
1. ALL DIMENSIONS ARE FOR REFERENCE.
2. DUST CAPS SHOWN IN ISO VIEWS ONLY.

THIS DRAWING CONTAINS INFORMATION THAT IS PROPRIETARY TO MOLEX ELECTRONIC TECHNOLOGIES, LLC AND SHOULD NOT BE USED WITHOUT WRITTEN PERMISSION									
DIMENSION UNITS IN/MM		SCALE 3:1		CURRENT REV DESC:					
GENERAL TOLERANCES (UNLESS SPECIFIED)				EC NO: 652962		LC 8 PORT ADAPTER SNAP MOUNT INNER SHUTTERS			
4 PLACES ±		±		DRWN: SKRISHNAMU01		2021/05/28		PRODUCT CUSTOMER DRAWING	
3 PLACES ±		±		CHK'D: WCHEN		2021/08/24		DOCUMENT NUMBER	
2 PLACES ±		±		APPR: WCHEN		2021/08/24		DOC TYPE DOC PART REVISION	
1 PLACE ±		±		INITIAL REVISION:		SD-106121-0450 PSD 001 D			
0 PLACES ±		±		DRWN: YBELENIY		2012/01/04		MATERIAL NUMBER CUSTOMER	
ANGULAR TOL ± °		°		APPR: WCHEN		2012/02/06		SEE TABLE GENERAL MARKET	
DRAFT WHERE APPLICABLE MUST REMAIN WITHIN DIMENSIONS				THIRD ANGLE PROJECTION		DRAWING SERIES		SHEET NUMBER	
				D-SIZE		106121		1 OF 1	